

Ordering Code:

CI47 ** M 2 0 R0
 ① ② ③ ④ ⑤ ⑥

Material:

* Insulation: Nylon 6T UL 94V-0

Color Ivory(Nature)

* Contact: Brass

① Series No.

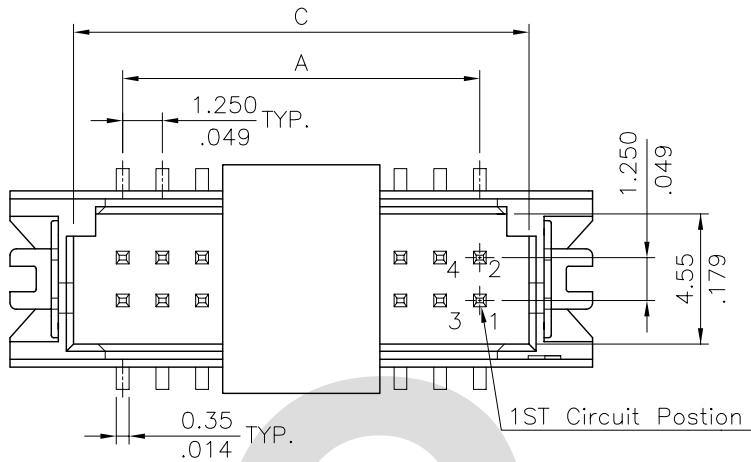
② NO. of Circuits

③ M= SMT header

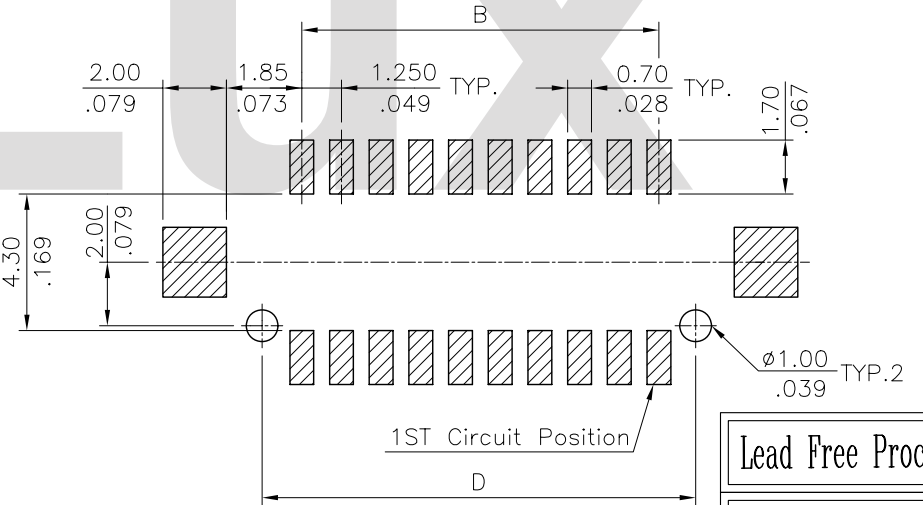
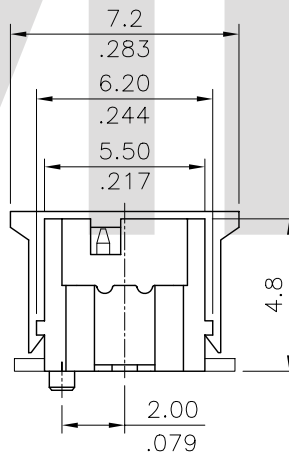
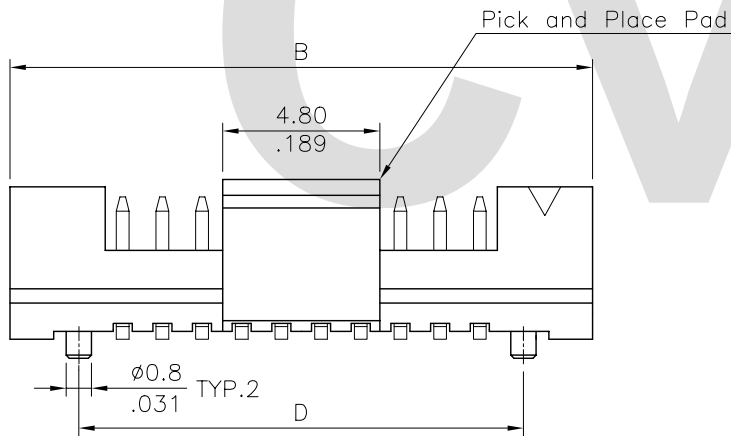
△ ④ 2= Gold Flash plated over
1.27μm(50u") Nickel

⑤ 0= Color Nature

△ ⑥ Option: R0= Tape & Reel




Circuits	Dimension			
	A	B	C	D
10	5.00(.197)	12.10(.476)	8.10(.319)	7.50(.295)
20	11.25(.443)	18.35(.722)	14.35(.565)	13.75(.541)
30	17.50(.689)	24.60(.969)	20.60(.811)	20.00(.787)
40	23.75(.935)	30.85(1.215)	26.85(1.057)	26.25(1.033)

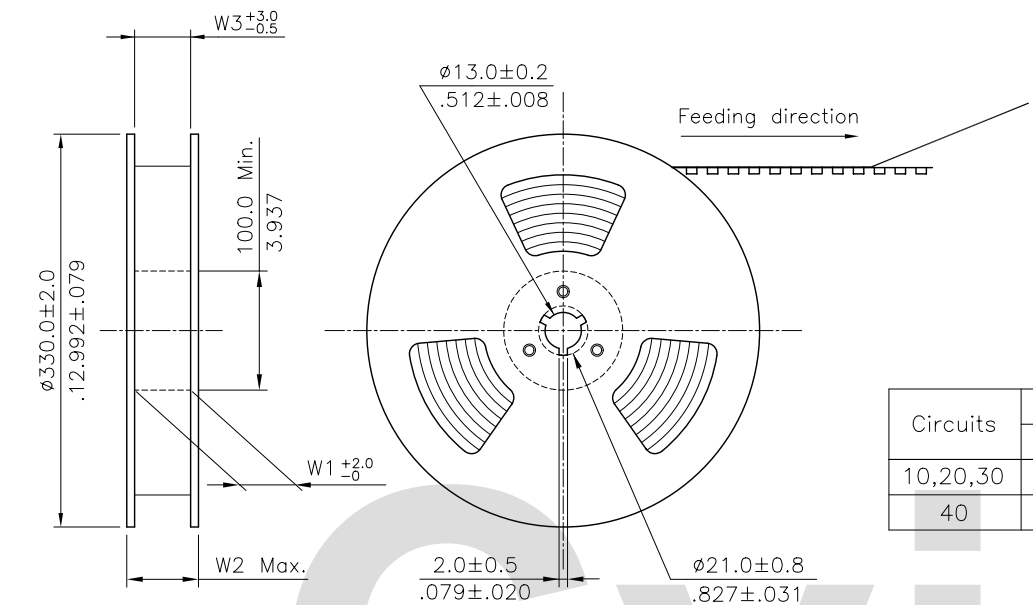


Lead Free Process

RoHS Compliant

SYM	NAME	DATE	REVISIONS	APPROVED BY:	DATE	UNIT: mm / inch	TITLE: 1.25MM(.049") SMT TYPE HEADER	 瀚荃股份有限公司 CviLux Corporation	
④									
③	Sandy	4/29-07'	ECN07153	DRAWN BY: Sandy	4/29-07'	TOLERANCE UNLESS OTHERWISE SPECIFIED .X ± 0.25/.010 .X' ± '1 .XX ± 0.15/.006 .X" ± .XXX ± 0.08/.003 .XX' ±	MATERIAL:	DRAWING NO. CI4706SH PART NO. CI47**M20R0	
②	Sandy	8/23/05'	ECN05288/ECR05069-0	ENGINEER: Eisley	5/05-07'				FINISH:
①	SUN	7/20/04'	ECR04074-0/ECN04276	CHECKED BY: David	5/05-07'				

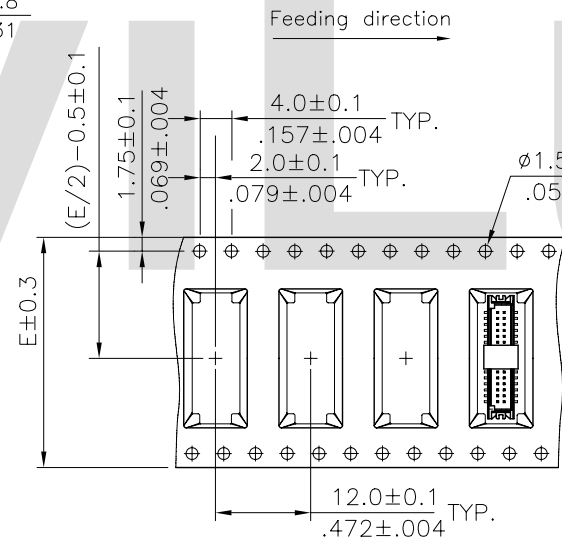
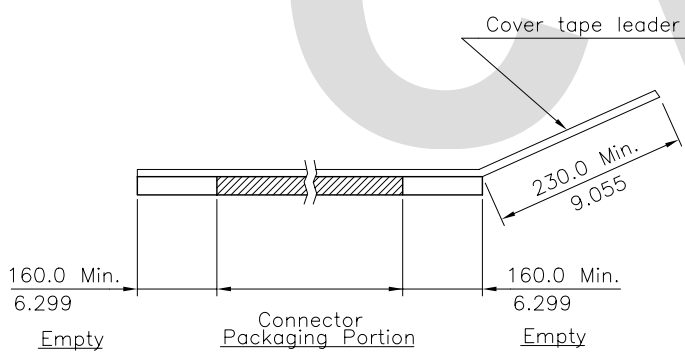
CVILUX CORP.
 2007.05.22
 ISSUED



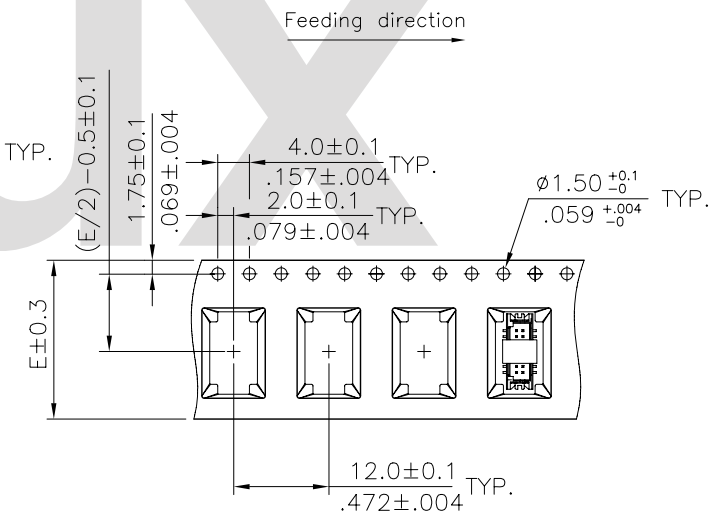
NOTE :

- * Reel Material : HIPS
- * Carrier Material : Black, Conductive Polystyrene Alloy
- * Cover Tape Material : Polyester
- * Cover Tape Peel Strength : 0.1N – 1.3N
- * Carrier camber is within 1mm in 100mm
- * All dimensions meet EIA-481-B requirements.
- * Quantity : 900 PCS/Reel

Circuits	Dimension					Packing (Reel/Caton)
	E	F	W1	W2	W3	
10,20,30	32.0(1.260)	28.40(1.118)	32.5(1.280)	38.5(1.516)	32.5(1.280)	7
40	44.0(1.732)	40.40(1.591)	44.5(1.752)	50.5(1.988)	44.5(1.752)	5



WIDTH : 44 mm Carrier



WIDTH : 32 mm Carrier

RoHS Compliant

4					DATE	UNIT: mm / inch	TITLE: 1.25MM(.049") SMT TYPE HEADER	瀚荃股份有限公司 CviLux Corporation			
3	Sandy	4/29-07'	ECN07153	DRAWN BY: Sandy 4/29-07' ENGINEER: Eisley 5/05-07' CHECKED BY: David 5/05-07' APPROVED BY: Alex 5/05-07'	TOLERANCE UNLESS OTHERWISE SPECIFIED		MATERIAL:				
2	Sandy	8/23/05'	ECN05288/ECR05069-0		.X ±	.X' ± 1'	FINISH:	SCALE	SHEET 2 OF 2		
1	SUN	7/20/04'	ECR04074-0/ECN04276		.XX ±	.X ±					
SYM	NAME	DATE	REVISIONS				.XXX ±	.XX ±			