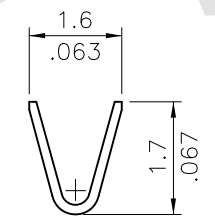
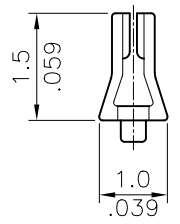
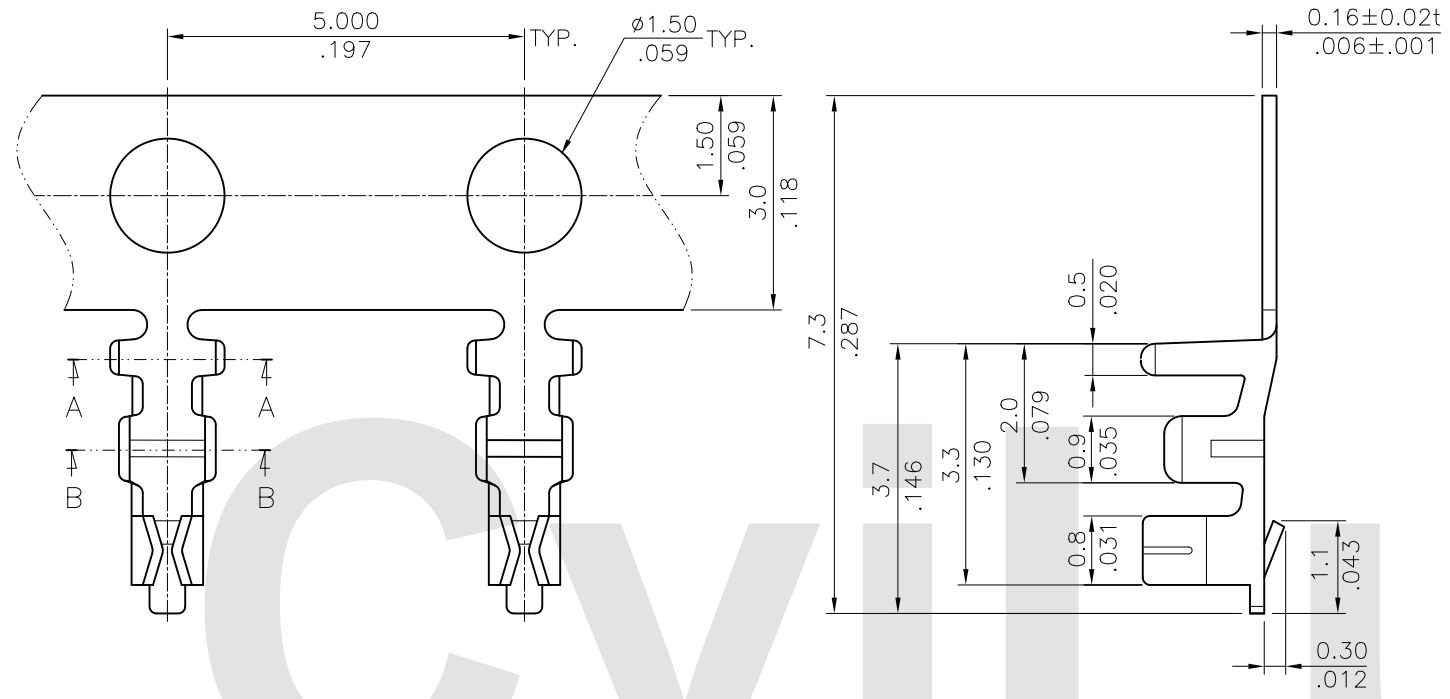


Wire Range	Insulation Diameter	Reel Q'ty
AWG #28~#32	1.00 (.039) MAX.	10,000 PCS.

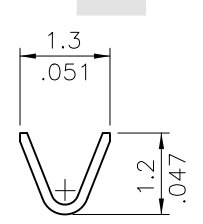
Ordering Code:

CI47 T01 1 P E 0
 ① ② ③ ④ ⑤ ⑥

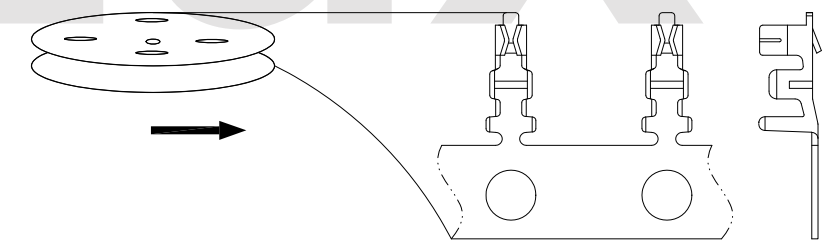
- ① Series No.
- ② Type: T01= AWG #28~#32
- ③ Plating: 1= 2.03μm(80μ") Min. Tin over 0.76μm(30μ") Nickel
- ④ Material: P= Phosphor Bronze
- ⑤ Plating method: E= Pre-tinned
- ⑥ Option: 0= Standard



SEC.:A-A



SEC.:B-B



RoHS Compliant

④						DATE	UNIT: mm / inch	TITLE: 2.00MM(.079") CRIMP TERMINAL	 瀚荃股份有限公司 CviLux Corporation	
③			DRAWN BY: Karen		6/22-15'	TOLERANCE UNLESS OTHERWISE SPECIFIED	X: ± 1'	MATERIAL:		
②			ENGINEER: Sun		6/23-15'					.X ± 0.20/008
①	Karen	6/17-15'	ECNT115140/ECRT115017		CHECKED BY: Eisley	6/23-15'	.XX ± 0.10/004	.X' ±	FINISH:	
SYM	NAME	DATE	REVISIONS	APPROVED BY: Eisley	6/23-15'	.XXX ± 0.05/002	.XX' ±		DRAWING NO. CI4703SD	PART NO. CI47T011PEO
									SCALE 9 / 1	SHEET 1 OF 1