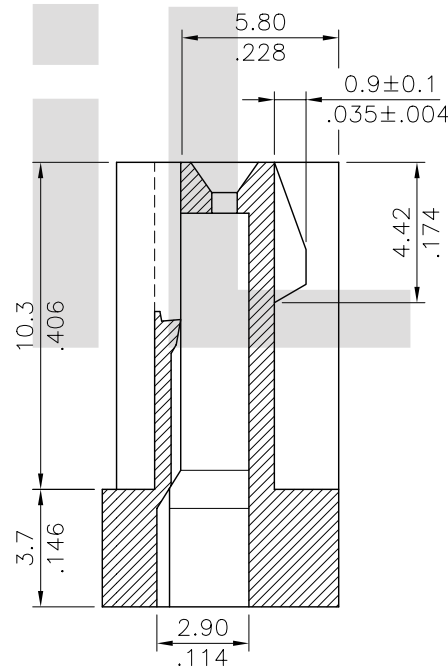
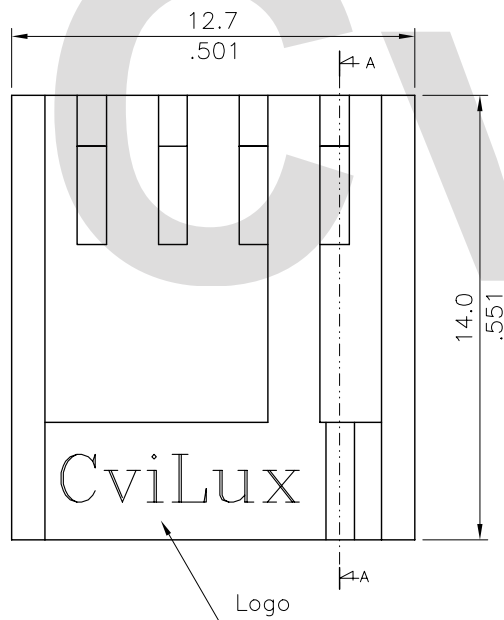


Bottom View



SEC.: A-A


* Material: Nylon 66 UL 94V-0

Ordering Code:

CI35 04 S 00 * 0
 ① ② ③ ④ ⑤ ⑥

- ① Series No.
- ② No. of Circuits
- ③ S00= Connector housing
- ④ Rib option:
00= Single Rib
- ⑤ Color option:
0= Color Nature
1= Color Black
- ⑥ Other option:
0= Standard

RoHS Compliant

④																				
③																				
②																				
①	Sandy	12/28/05	ECN05445																	
SYM	NAME	DATE	REVISIONS	APPROVED BY:	DATE	CHECKED BY:	DATE	ENGINEER:	DATE	DRAWN BY:	DATE	UNIT: mm / inch		TITLE: 2.54MM(.100") WIRE TO BOARD CONNECTOR		 瀚荃股份有限公司 CviLux Corporation				
												TOLERANCE UNLESS OTHERWISE SPECIFIED		MATERIAL:						
												.X ± 0.30/012	X' ± 1'		FINISH:					
												.XX ± 0.20/008	.X' ±		DRAWING NO. CI3501SE PART NO. CI3504S00*0					
												.XXX ±	.XX' ±		SCALE 4 / 1 SHEET 1 OF 1					

CIVILUX.CORP
 2005.12.30
 ISSUED