

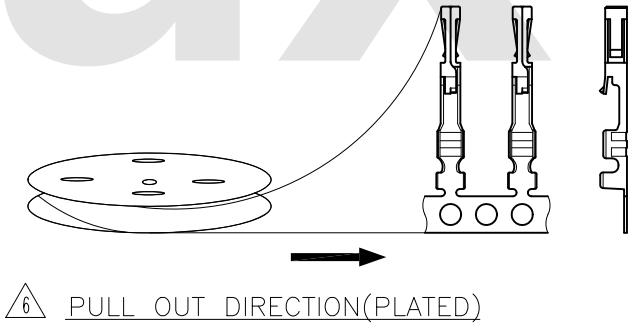
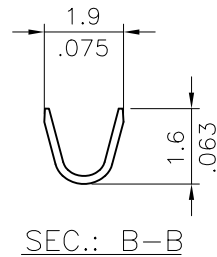
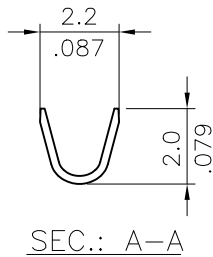
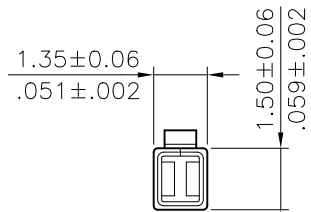
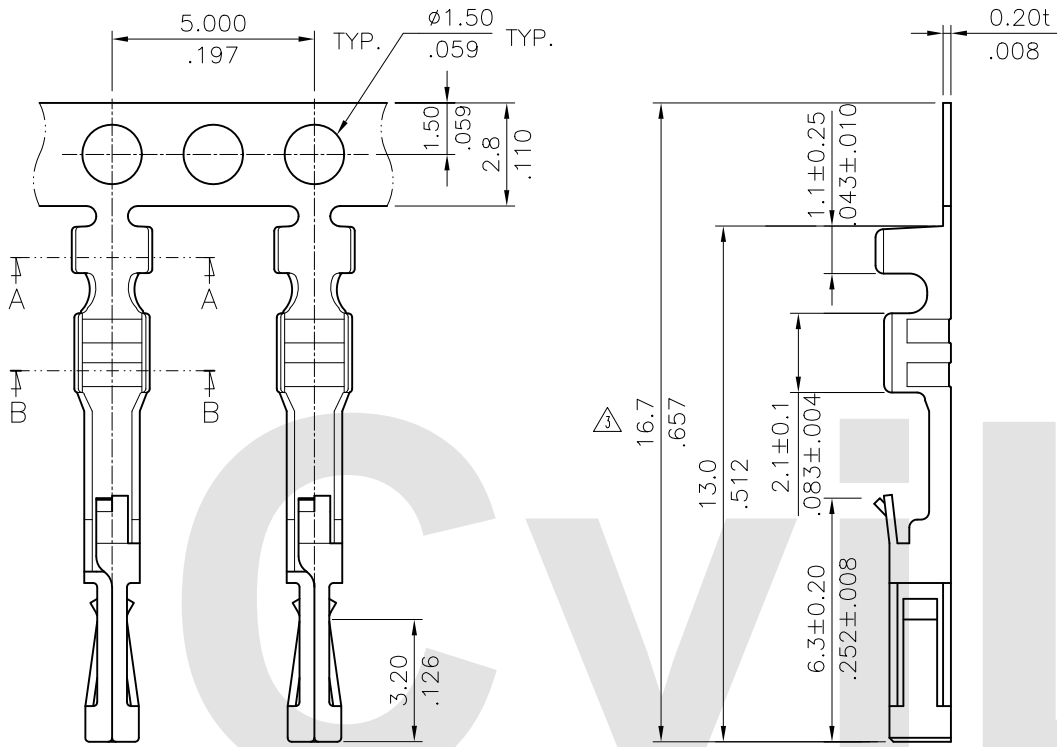
* Material: Phosphor Bronze

Wire Range	Insulation Diameter	Reel Q'ty
AWG #22~#28	1.70 (.067) MAX.	15,000 PCS.

Ordering Code

CI33 T02 1 P E 0
 ① ② ③ ④ ⑤ ⑥

- ① Series No.
- ② Type: T02= AWG #22 ~ #28
- ③ Plating: 1= 2.03μm(80μ") Min. Tin over 0.76μm(30μ") Nickel
- ④ Material: P= Phosphor Bronze
- ⑤ Plating method: E= Pre-tinned
- ⑥ Option: 0= Standard



CVILUX CORP
 2015.07.02
ISSUED

RoHS Compliant

SYMBOL	NAME	DATE	REVISIONS	APPROVED BY:	DATE	UNIT: mm / inch	TOLERANCE UNLESS OTHERWISE SPECIFIED	TITLE:	MATERIAL:	FINISH:	DRAWING NO.	PART NO.	SHEET	OF	1
⑥	Karen	6/13-15'	ECNT115140/ECRT115017					CRIMP TERMINAL			CI3304SK	CI33T021PE0	1	1	1
⑤	Enya	7/9-13'	ECR13071-0 / ECN13182-0	DRAWN BY:	Karen	6/22-15'	.X ± 0.20/.008								
④	Karen	7/14-12'	ECN12164-0/ECR12024-0	ENGINEER:	Sun	6/23-15'	.XX ± 0.10/.004								
③	Jim	1/29/07'	ECN07038 ECR07010-0	CHECKED BY:	Eisley	6/23-15'	.XXX ± 0.05/.002								
				APPROVED BY:	Eisley	6/23-15'									

瀚荃股份有限公司
 CviLux Corporation

SCALE 5 / 1 SHEET 1 OF 1