

Material:

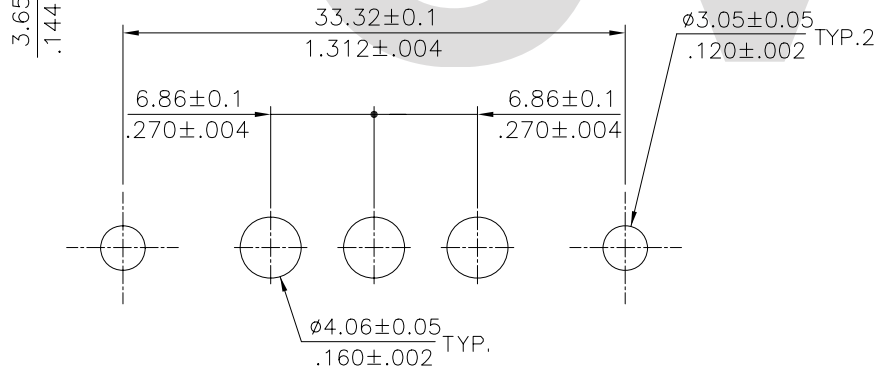
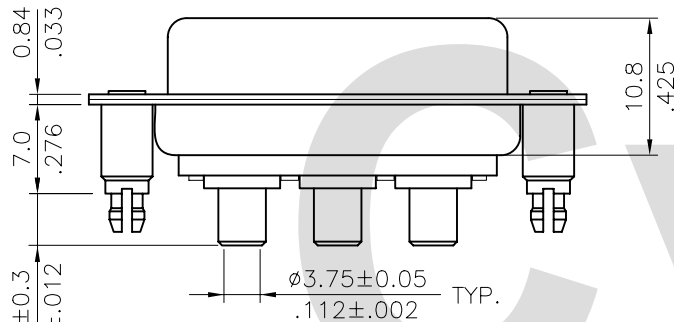
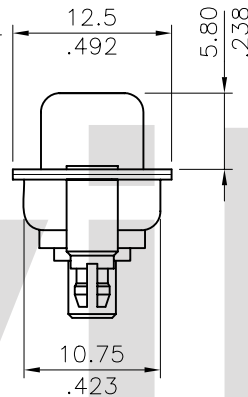
Insulator: Glass filled Polyester UL 94V-0
Shell: Steel, Tin plated as standard

Coaxial terminal

Insulator: Teflon UL 94V-0 Color white

Contact: Brass with Gold plated

#4-40 UNC TYP.2



Recommended P.C Board Layout

Ordering Code

3W3C S P V 3 0 1 40 D00
① ② ③ ④ ⑤ ⑥ ⑦ ⑧ ⑨

- ① Series No.
- ② Connector Type:
S= Receptacle (2 Female + 1 Male Contacts)
- ③ Contact type: P= High Power Contact
- ④ Contact tail style: V= Straight Dip type
- ⑤ Coaxial contact plating:
2= Gold flash plated over Nickel
3= 15μ" Gold plated over Nickel
4= 30μ" Gold plated over Nickel
5= 50μ" Gold plated over Nickel
- ⑥ Singal contact plating:
0= Without singal contact
- ⑦ Insulator color: 1= Black, 6= Green
- ⑧ Performance: 40=40A
- ⑨ Mounting Style:
000= With $\phi 3.05\text{mm}$ holes on shell
B00= Riveted #4-40 UNC open nuts on front shell
C00= Riveted #4-40 UNC open nuts on rear shell
D00= Riveted #4-40 UNC ground stand-off on rear shell (standard)

Mounting Style

RoHS Compliant

Code	000	Code	B00	Code	C00	Code	D00
			DIM. L= 4.0mm		DIM. L= 4.0mm		DIM. L= 7.0mm

4					DATE	UNIT: mm / inch	TITLE: 3W3C 40A HIGH POWER D-SUB CONNECTOR	瀚荃股份有限公司 CviLux Corporation	
3				DRAWN BY: Burgess	9/23-02'	TOLERANCE UNLESS OTHERWISE SPECIFIED	MATERIAL:		
2				ENGINEER: David	9/24-02'	.X ± 0.30/.012 X: ± 1'	FINISH:		
1				CHECKED BY: David	9/24-02'	.XX ± 0.20/.008 .X ±			
SYM	NAME	DATE	REVISIONS	APPROVED BY: Alex	9/24-02'	.XXX ± 0.10/.004 .XX ±	DRAWING NO. 3W3C19SA	PART NO. 3W3CSPV*0*40*00	
							SCALE	2 / 1	SHEET 1 OF 1

CVILUX.CORP.
2002.09.25
 ISSUED