

Material:

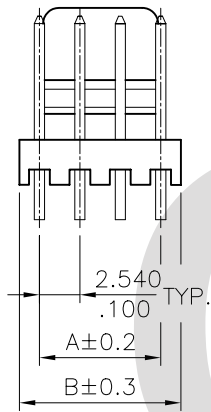
* Insulation: Nylon 66 UL 94V-2
Color Nature

* Contact: Brass

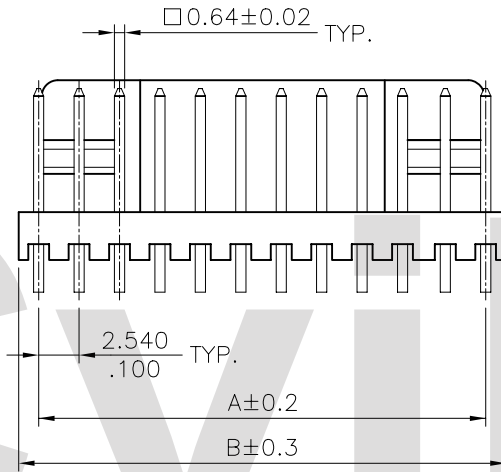
Ordering Code:

CI31 ** P 1 H 00
① ② ③ ④ ⑤ ⑥

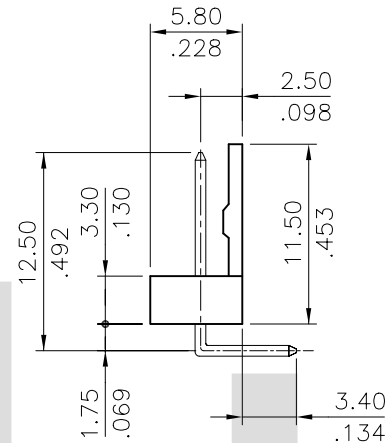
- ① Series No.
- ② No. of Circuits
- ③ Contact type: P= Pin header
- ④ Plating option:
1= 3.05μm(120μ") Min. Tin plated
over 0.76μm(30μ") Nickel
- ⑤ Tail Style: H= Right Angle
- ⑥ Option: 00= Standard



(2 through 5 circuits)



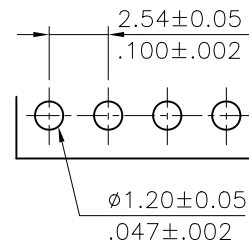
(6 through 20 circuits)



A = 2.54 x No. of Spaces

B = A + 2.54

* Available in 2 through 20 circuits



Recommended P.C. Board Layout



RoHS Compliant

④						DATE	UNIT: mm / inch	TITLE: 2.54MM(.100") RIGHT ANGLE HEADERS	瀚荃股份有限公司 CviLux Corporation
③				DRAWN BY: Sandy	8/16/06'	TOLERANCE UNLESS OTHERWISE SPECIFIED	MATERIAL:	DRAWING NO. CI3103SE	
②				ENGINEER: Easley	8/17/06'	.X ± 0.30/.012	X' ± 1"	PART NO. CI31**P1H00	
①	Sandy	8/14/06'	ECN06275/ECR06020-2	CHECKED BY: David	8/17/06'	.XX ± 0.20/.008	X" ±	SCALE 2 / 1	
SYM	NAME	DATE	REVISIONS	APPROVED BY: Alex	8/17/06'	.XXX ± 0.10/.004	.XX' ±	SHEET 1 OF 1	