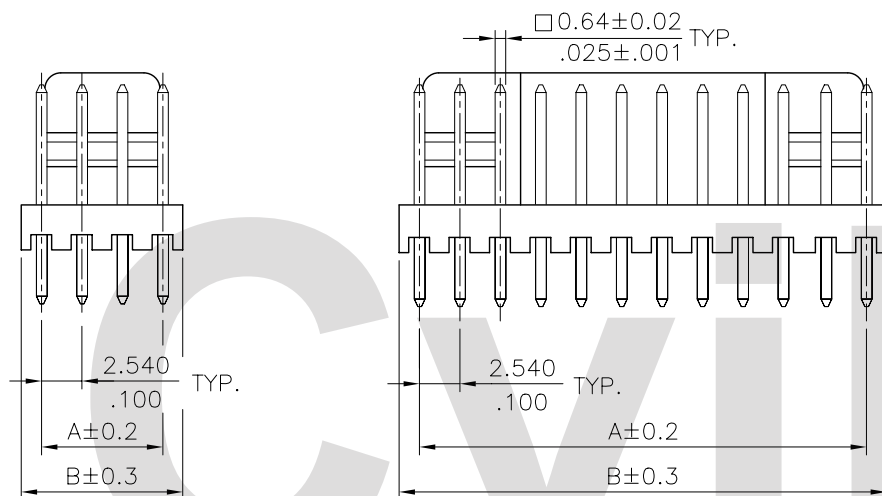


Material:

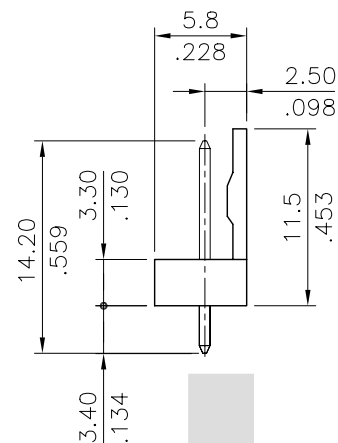
* Insulation: Nylon 66 UL 94V-2
Color Nature

* Contact: Brass



(2 through 5 circuits)

(6 through 20 circuits)



Ordering Code:

CI31 ** P * V 00
① ② ③ ④ ⑤ ⑥

- ① Series No.
- ② No. of Circuits
- ③ Contact type: P= Pin header
- ④ Plating option:

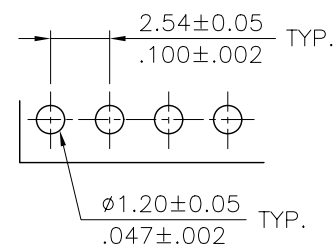
1= 3.05 μ m(120 μ) Min. Tin plated over 0.76 μ m(30 μ) Nickel
2= Gold flash plated over 1.27 μ m(50 μ) Nickel

- ⑤ Tail Style: V= Vertical
- ⑥ Option: 00= Standard

A = 2.54 x No. of Spaces

B = A + 2.54

* Available in 2 through 20 circuits



Recommended P.C. Board Layout

RoHS Compliant

④						DATE	UNIT: mm / inch	TITLE: 2.54MM(.100") STRAIGHT HEADERS	
③					DRAWN BY: Sandy	08/16-06'	TOLERANCE UNLESS OTHERWISE SPECIFIED		
②				ENGINEER: Easley	08/17-06'	.X ± 0.30/.012 X' ± 1"	MATERIAL:		
①	Sandy	8/14/06'	ECN06275/ECR06020-2	CHECKED BY: David	08/17-06'	.XX ± 0.20/.008 X' ±	FINISH:	DRAWING NO. CI3102SF	PART NO. CI31**P*V00
SYM	NAME	DATE	REVISIONS	APPROVED BY: Alex	08/17-06'	.XXX ± 0.10/.004 XX' ±		SCALE 2 / 1	SHEET 1 OF 1