

Material:

* Insulation: Nylon 66 UL 94-2

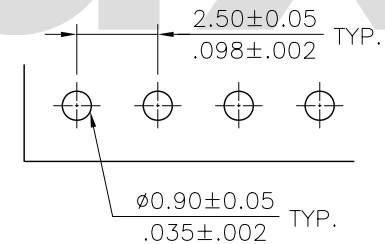
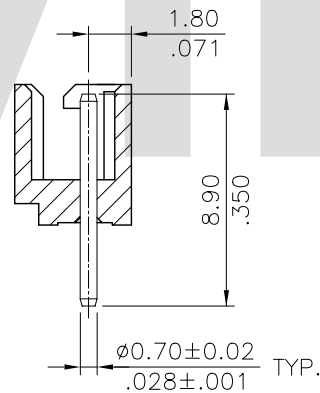
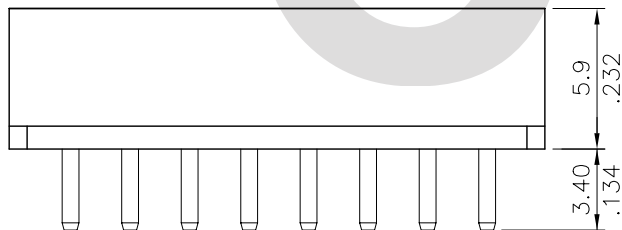
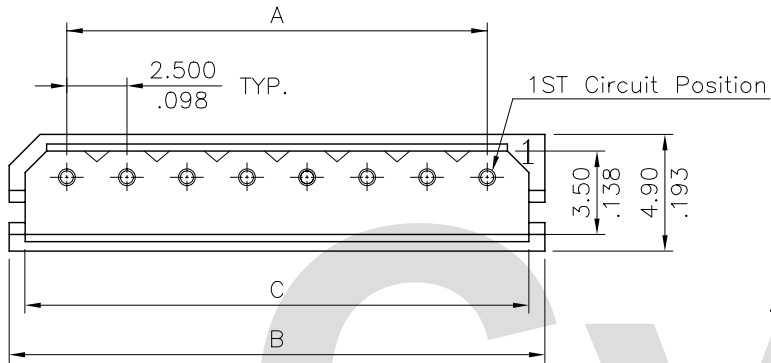
* Contact: Brass, round pins

Ordering Code:

CI25 ** P 1 V 0 0
 ① ② ③ ④ ⑤ ⑥ ⑦

- ① Series No.
- ② No. of Circuits
- ③ Contact type: P= Pin header
- ④ Plating option:
 1= 3.05 μ m(120 μ "") Tin
 over 0.76 μ m(30 μ "") Nickel
- ⑤ Tail Style: V= Straight
- ⑥ Color option: 0= Color Ivory
 1= Color Black
 3= Color Red
- ⑦ Option: 0= Standard

Circuits	Dimension		
	A	B	C
2	2.50(.098)	7.5(.295)	6.00(.236)
3	5.00(.197)	10.0(.394)	8.50(.335)
4	7.50(.295)	12.5(.492)	11.00(.433)
5	10.00(.394)	15.0(.591)	13.50(.531)
6	12.50(.492)	17.5(.689)	16.00(.630)
7	15.00(.591)	20.0(.787)	18.50(.728)
8	17.50(.689)	22.5(.886)	21.00(.827)
9	20.00(.787)	25.0(.984)	23.50(.925)
10	22.50(.886)	27.6(1.087)	26.00(1.024)
11	25.00(.984)	30.1(1.185)	28.50(1.122)
12	27.50(1.083)	32.6(1.283)	31.00(1.220)
13	30.00(1.181)	35.1(1.382)	33.50(1.319)
14	32.50(1.280)	37.6(1.480)	36.00(1.417)
15	35.00(1.378)	40.1(1.579)	38.50(1.516)



Recommended P.C. Board Layout

RoHS Compliant

4	Bill	8/10'07	ECR07093-0/ECN07309	APPROVED BY: Alex	8/15-07'	UNIT: mm / inch	TITLE: 2.50MM(.098") STRAIGHT HEADERS	MATERIAL:	FINISH:	DRAWING NO. CI2503SI	PART NO. CI25**P1V*0	SCALE 3 / 1	SHEET 1 OF 1					
														CVILUX CORP.	DRAWN BY: Bill	8/15-07'	TOLERANCE UNLESS OTHERWISE SPECIFIED	
														2007.08.21	ENGINEER: Eisley	8/15-07'	.X ± 0.30/.012 X' ± 1'	
														ISSUED	CHECKED BY: David	8/15-07'	.XX ± 0.20/.010 .X' ±	
3																		
2																		
1																		
SYM	NAME	DATE	REVISIONS															

瀚荃股份有限公司
 CviLux Corporation