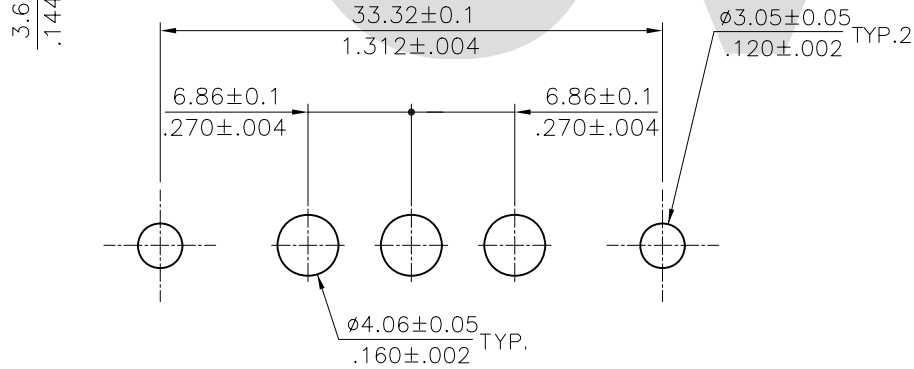
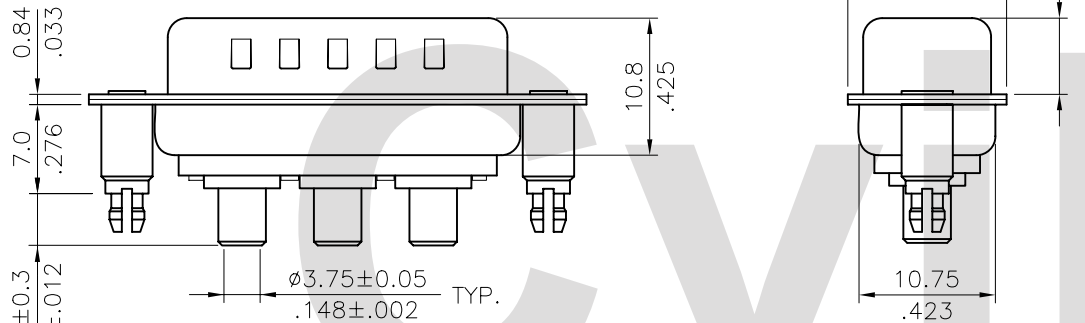


Material:

Insulator: Glass filled Polyester UL 94V-0
Shell: Steel, Tin plated as standard

High power Contact :
Brass with Gold plated



Recommended P.C Board Layout

Ordering Code

3W3C P P V 3 0 1 40 D00
① ② ③ ④ ⑤ ⑥ ⑦ ⑧ ⑨

- ① Series No.
- ② Connector Type: P= Plug (2 Male + 1 Female Contacts)
- ③ Contact type: P= High Power Contact
- ④ Contact tail style: V= Straight Dip type
- ⑤ Coaxial contact plating:
2= Gold flash plated over Nickel
3= 15μ" Gold plated over Nickel
4= 30μ" Gold plated over Nickel
5= 50μ" Gold plated over Nickel
- ⑥ Singal contact plating:
0= Without singal contact
- ⑦ Insulator color: 1= Black, 6= Green
- ⑧ Performance: 40=40A
- ⑨ Mounting Style:
000= With $\phi 3.05\text{mm}$ holes on shell
B00= Riveted #4-40 UNC open nuts on front shell
C00= Riveted #4-40 UNC open nuts on rear shell
D00= Riveted #4-40 UNC ground stand-off on rear shell (standard)

Mounting Style

RoHS Compliant

Code	000	Code	B00	Code	C00	Code	D00
			DIM. L= 4.0mm		DIM. L= 4.0mm		DIM. L= 7.0mm

④					DATE	UNIT: mm / inch	TITLE: 3W3C 40A HIGH POWER D-SUB CONNECTOR	瀚荃股份有限公司 CviLux Corporation
③				DRAWN BY: Burgess	9/23-02'	TOLERANCE UNLESS OTHERWISE SPECIFIED	MATERIAL:	
②				ENGINEER: David	9/24-02'	.X ± 0.30/012 .X' ± 1'	FINISH:	
①				CHECKED BY: David	9/24-02'	.XX ± 0.20/008 .X' ±		
SYM	NAME	DATE	REVISIONS	APPROVED BY: Alex	9/24-02'	.XXX ± 0.10/004 .XX' ±	DRAWING NO. 3W3C18SA	PART NO. 3W3CPPV*0*40*00
							SCALE 2 / 1	SHEET 1 OF 1

CVILUX.CORP.
 2002.09.25
 ISSUED