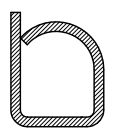
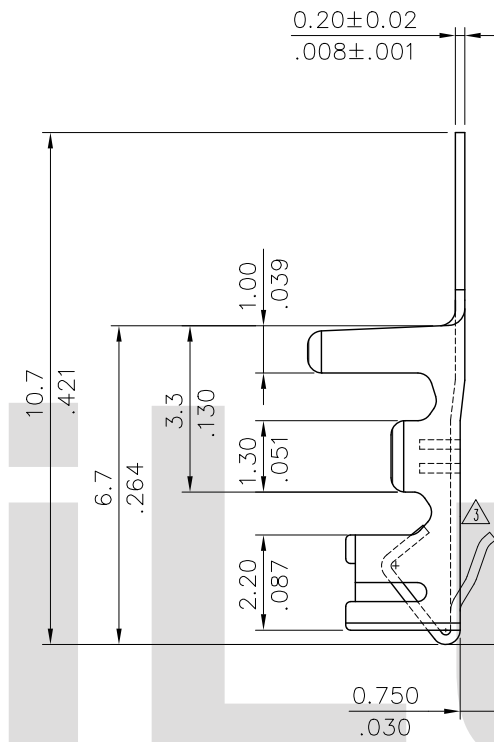
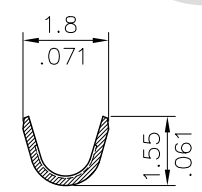


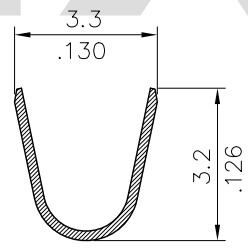
VIEW A



B-B SECTION



C-C SECTION



D-D SECTION

Wire Range	Insulation Diameter	Reel Q'ty
AWG #22~#28	1.60 MAX. (.063)	6,000 PCS.

Ordering Code

CI22 T02 1 * E 0
 ① ② ③ ④ ⑤ ⑥

- ① Series No.
- ② Type: T02= AWG #22 ~ #28
- ③ Plating: 1= 2.03μm(80μ") Min. Tin over 0.76μm(30μ") Nickel
 M= 2.03μm(80μ") Min. Matte Tin over 0.76μm(30u") Nickel
- ④ Material: B= Brass
 P= Phosphor Bronze
- ⑤ Plating method: E= Pre-tinned
- ⑥ Option: 0= Standard

RoHS Compliant

SYM	NAME	DATE	REVISIONS	APPROVED BY:	DATE	UNIT: mm / inch	TITLE:	 瀚荃股份有限公司 CviLux Corporation
△6	Enya	3/27-13'	ECN13071-0			UNIT: mm / inch	CRIMP TERMINAL	
△5	Enya	1/8-13'	ECN13004-0	DRAWN BY: Enya	3/28-13'	TOLERANCE UNLESS OTHERWISE SPECIFIED	MATERIAL:	
△4	Erin	5/7-12'	ECR12021-0/ECN12074-0	ENGINEER: Eisley	4/01-13'	.X ± 0.20/.008 X' ± 1"	FINISH:	
△3	Sandy	8/30-10'	ECR10075-1/ECN10315	CHECKED BY: Eisley	4/01-13'	.XX ± 0.10/.004 .X' ±		DRAWING NO. CI2205SJ PART NO. CI22T02**EO
△2						.XXX ± 0.05/.002 .XX' ±		SCALE 6 / 1 SHEET 1 OF 1

CIVILUX CORP
 2013.04.16
 ISSUED