

Material:

Insulator: Glass filled Polyester UL 94V-0

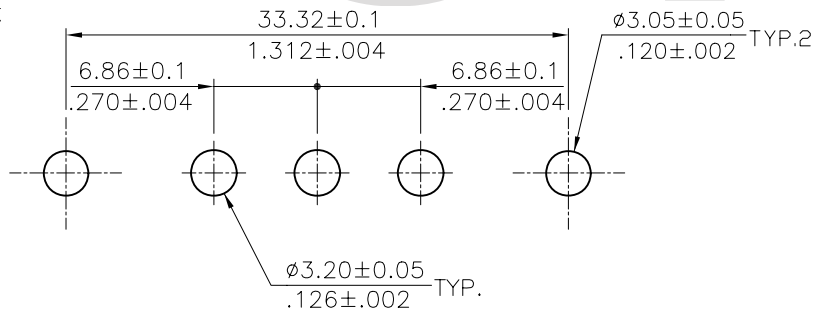
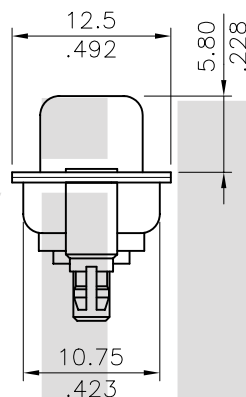
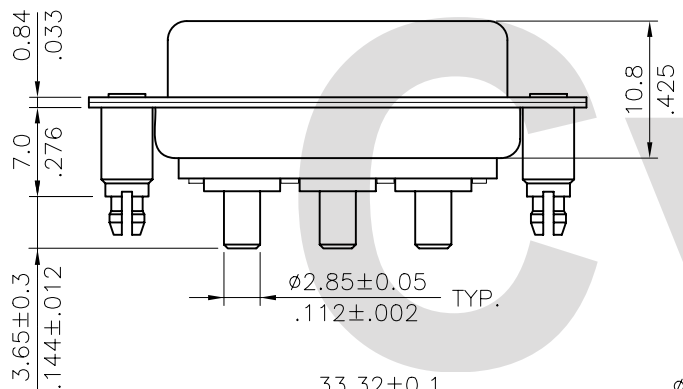
Shell: Steel, Tin plated as standard

Coaxial terminal

Insulator: Teflon UL 94V-0 Color white

Contact: Brass with Gold plated

- Ordering Code
- |      |   |   |   |   |   |   |    |     |
|------|---|---|---|---|---|---|----|-----|
| 3W3C | S | P | V | 3 | 0 | 1 | 20 | D00 |
| ①    | ② | ③ | ④ | ⑤ | ⑥ | ⑦ | ⑧  | ⑨   |
- ① Series No.
  - ② Connector Type:  
S= Receptacle (2 Female + 1 Male Contacts)
  - ③ Contact type: P= High Power Contact
  - ④ Contact tail style: V= Straight Dip type
  - ⑤ Coaxial contact plating:  
2= Gold flash plated over Nickel  
3= 15μ" Gold plated over Nickel  
4= 30μ" Gold plated over Nickel  
5= 50μ" Gold plated over Nickel
  - ⑥ Singal contact plating:  
0= Without singal contact
  - ⑦ Insulator color: 1= Black, 6= Green
  - ⑧ Performance: 20=20A
  - ⑨ Mounting Style:  
000= With ø3.05mm holes on shell  
B00= Riveted #4-40 UNC open nuts on front shell  
C00= Riveted #4-40 UNC open nuts on rear shell  
D00= Riveted #4-40 UNC ground stand-off on rear shell (standard)



Recommended P.C Board Layout

Mounting Style				RoHS Compliant			
Code	000	Code	B00	Code	C00	Code	D00
			DIM. L= 4.0mm		DIM. L= 4.0mm		DIM. L= 7.0mm

④						DATE	UNIT: mm / inch	TITLE: 3W3C 20A HIGH POWER D-SUB CONNECTOR	瀚荃股份有限公司 CviLux Corporation
③					DRAWN BY: Burgess	9/23-02'	TOLERANCE UNLESS OTHERWISE SPECIFIED	MATERIAL:	
②					ENGINEER: David	9/24-02'	.X ± 0.30/.012 X: ± 1'	FINISH:	
①					CHECKED BY: David	9/24-02'	.XX ± 0.20/.008 X: ±		
SYM	NAME	DATE	REVISIONS	APPROVED BY: Alex	9/24-02'	.XXX ± 0.10/.004 XX: ±		DRAWING NO. 3W3C17SA	PART NO. 3W3CSPV*0*20*00
		SCALE	2 / 1	SHEET 1 OF 1					

