

Material:

Insulator: Glass filled Polyester UL 94V-0

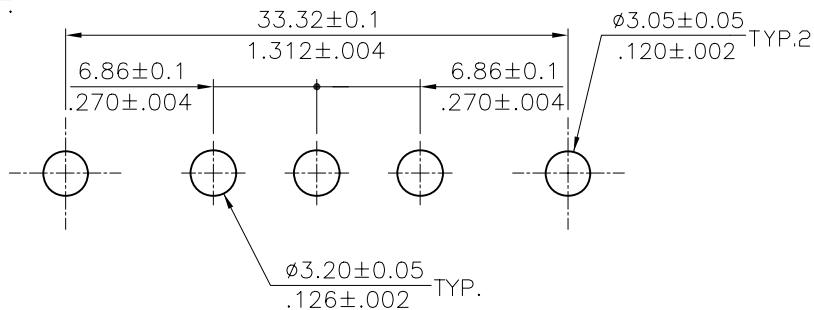
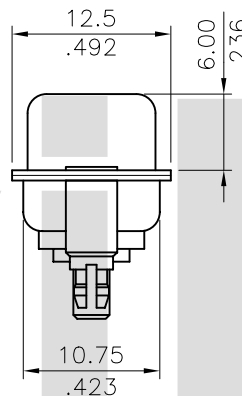
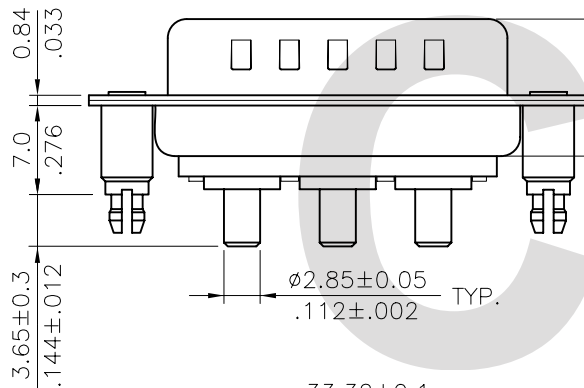
Shell: Steel, Tin plated as standard

Coaxial terminal

Insulator: Teflon UL 94V-0 Color white

Contact: Brass with Gold plated

#4-40 UNC TYP.2



Recommended P.C Board Layout

Ordering Code

3W3C P P V 3 0 1 20 D00
 ① ② ③ ④ ⑤ ⑥ ⑦ ⑧ ⑨

- ① Series No.
- ② Connector Type: P= Plug (2 Male + 1 Female Contacts)
- ③ Contact type: P= High Power Contact
- ④ Contact tail style: V= Straight Dip type
- ⑤ Coaxial contact plating:
 - 2= Gold flash plated over Nickel
 - 3= 15μ" Gold plated over Nickel
 - 4= 30μ" Gold plated over Nickel
 - 5= 50μ" Gold plated over Nickel
- ⑥ Singal contact plating:
 - 0= Without singal contact
- ⑦ Insulator color: 1= Black, 6= Green
- ⑧ Performance: 20=20A
- ⑨ Mounting Style:
 - 000= With ø3.05mm holes on shell
 - B00= Riveted #4-40 UNC open nuts on front shell
 - C00= Riveted #4-40 UNC open nuts on rear shell
 - D00= Riveted #4-40 UNC ground stand-off on rear shell (standard)

Mounting Style

RoHS Compliant

Code	000	Code	B00	Code	C00	Code	D00
			DIM. L= 4.0mm		DIM. L= 4.0mm		DIM. L= 7.0mm

4																			
3																			
2																			
1																			
SYM	NAME	DATE	REVISIONS	APPROVED BY:	Alex	9/24-02'													
				DRAWN BY:	Burgess	9/23-02'	UNIT: mm / inch		TITLE: 3W3C MALE HIGH POWER D-SUB CONNECTOR		瀚荃股份有限公司 CviLux Corporation								
				ENGINEER:	David	9/24-02'	TOLERANCE UNLESS OTHERWISE SPECIFIED		MATERIAL:										
				CHECKED BY:	David	9/24-02'	.X ± 0.30/012	.X' ± 1'	FINISH:										
				APPROVED BY:	Alex	9/24-02'	.XX ± 0.20/008	.X' ±											
							.XXX ± 0.10/004	.XX' ±			DRAWING NO.	3W3C16SA	PART NO.	3W3CPPV*0*20*00					
											SCALE	2 / 1	SHEET	1 OF 1					

CIVILUX.CORP.
 2002.09.25
 ISSUED