

Material:

Insulator: Glass filled Polyester UL 94V-0  
 Contact: Copper alloy  
 Shell: Steel, Tin plated as standard

High power Contact :  
 Brass with Gold plated

### Ordering Code

11W1 P P V 3 2 1 40 D00  
 ① ② ③ ④ ⑤ ⑥ ⑦ ⑧ ⑨

- ① Series No.
- ② Connector Type: P= Plug
- ③ Contact type: P= High Power Contact
- ④ Contact tail style: V= Straight Dip type
- ⑤ High power contact plating:

- 2= Gold flash plated over Nickel
- 3= 15μ" Gold plated over Nickel
- 4= 30μ" Gold plated over Nickel
- 5= 50μ" Gold plated over Nickel

- ⑥ Singal contact plating:

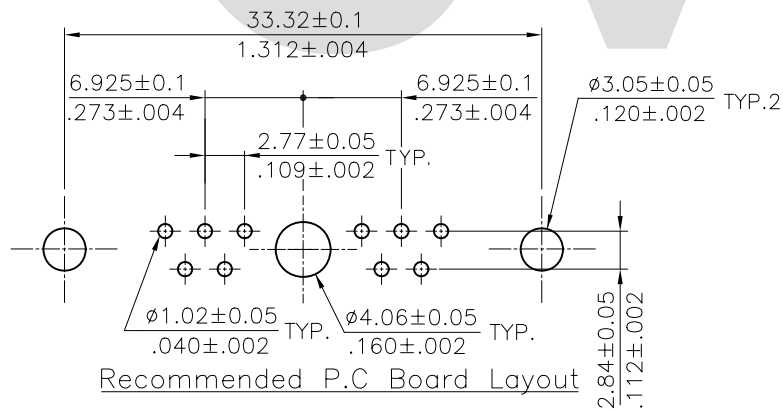
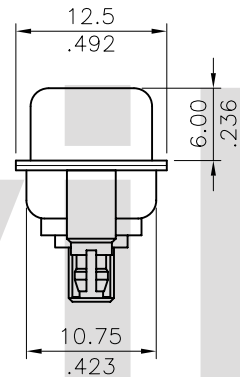
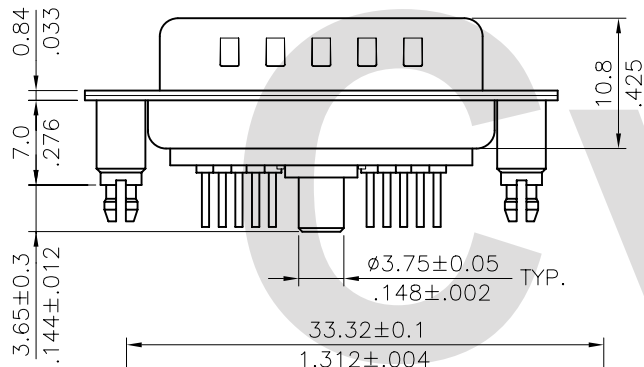
- 2= Gold flash plated over Nickel
- 3= 15μ" Gold plated over Nickel
- 4= 30μ" Gold plated over Nickel

- ⑦ Insulator color: 1= Black, 6= Green

- ⑧ Performance: 40= 40A

- ⑨ Mounting Style:

- 000= With ø3.05mm holes on shell
- B00= Riveted #4-40 UNC open nuts on front shell
- C00= Riveted #4-40 UNC open nuts on rear shell
- D00= Riveted #4-40 UNC ground stand-off on rear shell(standard)

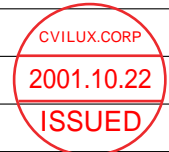


### Mounting Style

RoHS Compliant

Code	000	Code	B00	Code	C00	Code	D00
			DIM. L= 4.0mm		DIM. L= 4.0mm		DIM. L= 7.0mm

④				DATE	UNIT: mm / inch	TITLE: 11W1 40A HIGH POWER MALE D-SUB CONNECTOR (TOP ENTRY BOARD MOUNT TYPE) MATERIAL: FINISH:
③			DRAWN BY: Rita	10/18-01'	TOLERANCE UNLESS OTHERWISE SPECIFIED	
②			ENGINEER: David	10/19-01'	.X ± 0.30/.012 X: ± 1'	
①			CHECKED BY: David	10/19-01'	.XX ± 0.20/.008 .X: ±	
SYM	NAME	DATE	APPROVED BY: Alex	10/19-01'	.XXX ± 0.10/.004 .XX: ±	



瀚荃股份有限公司  
CviLux Corporation

DRAWING NO.	11W109SB	PART NO.	11W1PPV***40*00
SCALE	2 / 1	SHEET	1 OF 1