



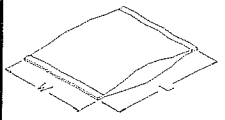
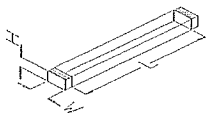
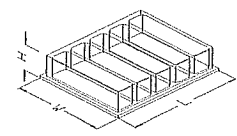
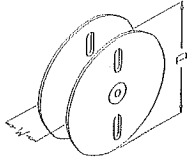
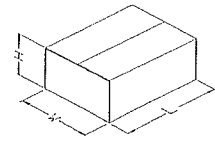
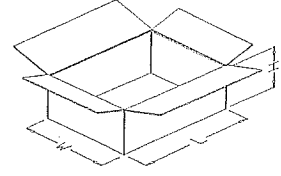
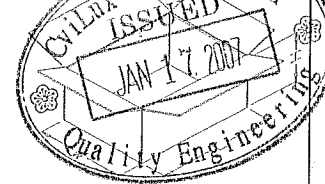
瀚荃股份有限公司
CviLux Corporation
PACKING STANDARD

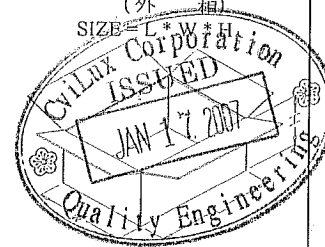
版 別: 2

製訂日期: 2006/12/22

SERIES OR P/N	CIRCUITS	PACKING METHOD CODE	INNER PACKING NO.	INNER PACKING SIZE (CM)			INNER PACKING Q'TY	INSIDE CARTON NO.	INSIDE CARTON SIZE (CM)			PCS / INSIDE CARTON	CARTON NO.	CARTON SIZE (CM)			PCS / CARTON	G.W REF. (KG)
				L/D	W	H			L	W	H			L	W	H		
CH5206*H*00/01	6	F	PACK-PBC003-C	25.00	16.00	0.08	2000	PACK-IBC002-C	31.20	24.30	11.00	24000	PACK-CTC002-C	34.50	26.00	25.30	48000	7.08
CH5208*H*00/01	8	F	PACK-PBC003-C	25.00	16.00	0.08	2000	PACK-IBC002-C	31.20	24.30	11.00	20000	PACK-CTC002-C	34.50	26.00	25.30	40000	7.73
CH5210*H*00/01	10	F	PACK-PBC003-C	25.00	16.00	0.08	2000	PACK-IBC002-C	31.20	24.30	11.00	20000	PACK-CTC002-C	34.50	26.00	25.30	40000	9.40
CH5212*H*00/01	12	F	PACK-PBC003-C	25.00	16.00	0.08	1500	PACK-IBC002-C	31.20	24.30	11.00	18000	PACK-CTC002-C	34.50	26.00	25.30	36000	10.11
CH5214*H*00/01	14	F	PACK-PBC003-C	25.00	16.00	0.08	1500	PACK-IBC002-C	31.20	24.30	11.00	18000	PACK-CTC002-C	34.50	26.00	25.30	36000	11.61
CH5216*H*00/01	16	F	PACK-PBC003-C	25.00	16.00	0.08	1500	PACK-IBC002-C	31.20	24.30	11.00	15000	PACK-CTC002-C	34.50	26.00	25.30	30000	11.09
CH5218*H*00/01	18	F	PACK-PBC002-C	29.00	23.00	0.08	1500	PACK-IBC002-C	31.20	24.30	11.00	15000	PACK-CTC002-C	34.50	26.00	25.30	30000	12.39
CH5220*H*00/01	20	F	PACK-PBC002-C	29.00	23.00	0.08	1500	PACK-IBC002-C	31.20	24.30	11.00	15000	PACK-CTC002-C	34.50	26.00	25.30	30000	13.64
CH5222*H*00/01	22	F	PACK-PBC002-C	29.00	23.00	0.08	1500	PACK-IBC002-C	31.20	24.30	11.00	12000	PACK-CTC002-C	34.50	26.00	25.30	24000	12.10
CH5224*H*00/01	24	F	PACK-PBC002-C	29.00	23.00	0.08	1500	PACK-IBC002-C	31.20	24.30	11.00	12000	PACK-CTC002-C	34.50	26.00	25.30	24000	13.11
CH5226*H*00/01	26	F	PACK-PBC002-C	29.00	23.00	0.08	1000	PACK-IBC002-C	31.20	24.30	11.00	10000	PACK-CTC002-C	34.50	26.00	25.30	20000	11.97
CH5228*H*00/01	28	F	PACK-PBC002-C	29.00	23.00	0.08	1000	PACK-IBC002-C	31.20	24.30	11.00	10000	PACK-CTC002-C	34.50	26.00	25.30	20000	12.81
CH5230*H*00/01	30	F	PACK-PBC002-C	29.00	23.00	0.08	1000	PACK-IBC002-C	31.20	24.30	11.00	10000	PACK-CTC002-C	34.50	26.00	25.30	20000	13.64
CH5232*H*00/01	32	F	PACK-PBC002-C	29.00	23.00	0.08	1000	PACK-IBC002-C	31.20	24.30	11.00	8000	PACK-CTC002-C	34.50	26.00	25.30	16000	11.77
CH5234*H*00/01	34	F	PACK-PBC002-C	29.00	23.00	0.08	1000	PACK-IBC002-C	31.20	24.30	11.00	8000	PACK-CTC002-C	34.50	26.00	25.30	16000	12.44
CH5236*H*00/01	36	F	PACK-PBC002-C	29.00	23.00	0.08	1000	PACK-IBC002-C	31.20	24.30	11.00	8000	PACK-CTC002-C	34.50	26.00	25.30	16000	13.11
CH5238*H*00/01	38	F	PACK-PBC002-C	29.00	23.00	0.08	1000	PACK-IBC002-C	31.20	24.30	11.00	8000	PACK-CTC002-C	34.50	26.00	25.30	16000	13.78
CH5240*H*00/01	40	F	PACK-PBC002-C	29.00	23.00	0.08	1000	PACK-IBC002-C	31.20	24.30	11.00	6000	PACK-CTC002-C	34.50	26.00	25.30	12000	11.07
CH5242*H*00/01	42	F	PACK-PBC002-C	29.00	23.00	0.08	1000	PACK-IBC002-C	31.20	24.30	11.00	6000	PACK-CTC002-C	34.50	26.00	25.30	12000	11.57
CH5244*H*00/01	44	F	PACK-PBC002-C	29.00	23.00	0.08	1000	PACK-IBC002-C	31.20	24.30	11.00	6000	PACK-CTC002-C	34.50	26.00	25.30	12000	12.07
CH5246*H*00/01	46	F	PACK-PBC002-C	29.00	23.00	0.08	1000	PACK-IBC002-C	31.20	24.30	11.00	6000	PACK-CTC002-C	34.50	26.00	25.30	12000	12.58
CH5248*H*00/01	48	F	PACK-PBC002-C	29.00	23.00	0.08	500	PACK-IBC002-C	31.20	24.30	11.00	5000	PACK-CTC002-C	34.50	26.00	25.30	10000	11.14
CH5250*H*00/01	50	F	PACK-PBC002-C	29.00	23.00	0.08	500	PACK-IBC002-C	31.20	24.30	11.00	5000	PACK-CTC002-C	34.50	26.00	25.30	10000	11.56
CH5252*H*00/01	52	F	PACK-PBC002-C	29.00	23.00	0.08	500	PACK-IBC002-C	31.20	24.30	11.00	5000	PACK-CTC002-C	34.50	26.00	25.30	10000	11.98
CH5254*H*00/01	54	F	PACK-PBC002-C	29.00	23.00	0.08	500	PACK-IBC002-C	31.20	24.30	11.00	5000	PACK-CTC002-C	34.50	26.00	25.30	10000	12.40
CH5256*H*00/01	56	F	PACK-PBC002-C	29.00	23.00	0.08	500	PACK-IBC002-C	31.20	24.30	11.00	4000	PACK-CTC002-C	34.50	26.00	25.30	8000	10.44
CH5258*H*00/01	58	F	PACK-PBC002-C	29.00	23.00	0.08	500	PACK-IBC002-C	31.20	24.30	11.00	4000	PACK-CTC002-C	34.50	26.00	25.30	8000	10.77

PACKING METHOD (包裝方式):

<p>1 PVC BAG (塑膠袋) SIZE = L * W</p> 	<p>2 TUBE (塑膠管) SIZE = L * W * H</p> 	<p>3 PVC TRAY (塑膠盒) SIZE = L * W * H</p> 	<p>4 REEL (紙盤) SIZE = D * W</p> 	<p>5 BOX (內紙盒) SIZE = L * W * H</p> 	<p>6 INSIDE CARTON (內箱) SIZE = L * W * H</p> 	<p>7 OUTSIDE CARTON (外箱) SIZE = L * W * H</p> 	<p>PACKING METHOD CODE (包裝方式代碼):</p> <ul style="list-style-type: none"> <input type="checkbox"/> A = 1 → 7 <input type="checkbox"/> B = 2 → 7 <input type="checkbox"/> C = 3 → 7 <input type="checkbox"/> D = 4 → 7 <input type="checkbox"/> E = 5 → 7 <input checked="" type="checkbox"/> F = 1 → 6 → 7 <input type="checkbox"/> G = 2 → 6 → 7 <input type="checkbox"/> H = 3 → 6 → 7
--	--	--	---	---	--	---	--

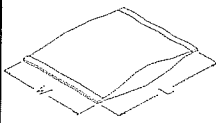




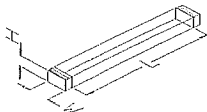
SERIES OR P/N	CIRCUITS	PACKING METHOD CODE	INNER PACKING NO.	INNER PACKING SIZE (CM)			INNER PACKING Q'TY	INSIDE CARTON NO.	INSIDE CARTON SIZE (CM)			PCS / INSIDE CARTON	CARTON NO.	CARTON SIZE (CM)			PCS / CARTON	G.W REF. (KG)
				L/D	W	H			L	W	H			L	W	H		
CH5260*H*00/01	60	F	PACK-PBC002-C	29.00	23.00	0.08	500	PACK-IBC002-C	31.20	24.30	11.00	4000	PACK-CTC002-C	34.50	26.00	25.30	8000	11.11
CH5262*H*00/01	62	F	PACK-PBC002-C	29.00	23.00	0.08	500	PACK-IBC002-C	31.20	24.30	11.00	4000	PACK-CTC002-C	34.50	26.00	25.30	8000	11.45
CH5264*H*00/01	64	F	PACK-PBC002-C	29.00	23.00	0.08	500	PACK-IBC002-C	31.20	24.30	11.00	3000	PACK-CTC002-C	34.50	26.00	25.30	6000	9.07
CH5266*H*00/01	66	F	PACK-PBC002-C	29.00	23.00	0.08	500	PACK-IBC002-C	31.20	24.30	11.00	3000	PACK-CTC002-C	34.50	26.00	25.30	6000	9.32
CH5268*H*00/01	68	F	PACK-PBC002-C	29.00	23.00	0.08	500	PACK-IBC002-C	31.20	24.30	11.00	3000	PACK-CTC002-C	34.50	26.00	25.30	6000	9.57
CH5270*H*00/01	70	F	PACK-PBC002-C	29.00	23.00	0.08	500	PACK-IBC002-C	31.20	24.30	11.00	3000	PACK-CTC002-C	34.50	26.00	25.30	6000	9.82
CH5272*H*00/01	72	F	PACK-PBC002-C	29.00	23.00	0.08	500	PACK-IBC002-C	31.20	24.30	11.00	3000	PACK-CTC002-C	34.50	26.00	25.30	6000	10.07
CH5274*H*00/01	74	F	PACK-PBC002-C	29.00	23.00	0.08	500	PACK-IBC002-C	31.20	24.30	11.00	2500	PACK-CTC002-C	34.50	26.00	25.30	5000	8.76
CH5276*H*00/01	76	F	PACK-PBC002-C	29.00	23.00	0.08	500	PACK-IBC002-C	31.20	24.30	11.00	2500	PACK-CTC002-C	34.50	26.00	25.30	5000	8.96
CH5278*H*00/01	78	F	PACK-PBC002-C	29.00	23.00	0.08	500	PACK-IBC002-C	31.20	24.30	11.00	2500	PACK-CTC002-C	34.50	26.00	25.30	5000	9.17
CH5280*H*00/01	80	F	PACK-PBC002-C	29.00	23.00	0.08	500	PACK-IBC002-C	31.20	24.30	11.00	2500	PACK-CTC002-C	34.50	26.00	25.30	5000	9.38
CH5282*H*00/01	82	F	PACK-PBC002-C	29.00	23.00	0.08	250	PACK-IBC002-C	31.20	24.30	11.00	2500	PACK-CTC002-C	34.50	26.00	25.30	5000	9.69
CH5284*H*00/01	84	F	PACK-PBC002-C	29.00	23.00	0.08	250	PACK-IBC002-C	31.20	24.30	11.00	2500	PACK-CTC002-C	34.50	26.00	25.30	5000	9.90
CH5286*H*00/01	86	F	PACK-PBC002-C	29.00	23.00	0.08	250	PACK-IBC002-C	31.20	24.30	11.00	2500	PACK-CTC002-C	34.50	26.00	25.30	5000	10.10
CH5288*H*00/01	88	F	PACK-PBC002-C	29.00	23.00	0.08	250	PACK-IBC002-C	31.20	24.30	11.00	2000	PACK-CTC002-C	34.50	26.00	25.30	4000	8.43
CH5290*H*00/01	90	F	PACK-PBC002-C	29.00	23.00	0.08	250	PACK-IBC002-C	31.20	24.30	11.00	2000	PACK-CTC002-C	34.50	26.00	25.30	4000	8.60
CH5292*H*00/01	92	F	PACK-PBC002-C	29.00	23.00	0.08	250	PACK-IBC002-C	31.20	24.30	11.00	2000	PACK-CTC002-C	34.50	26.00	25.30	4000	8.77
CH5294*H*00/01	94	F	PACK-PBC002-C	29.00	23.00	0.08	250	PACK-IBC002-C	31.20	24.30	11.00	2000	PACK-CTC002-C	34.50	26.00	25.30	4000	8.94
CH5296*H*00/01	96	F	PACK-PBC002-C	29.00	23.00	0.08	250	PACK-IBC002-C	31.20	24.30	11.00	2000	PACK-CTC002-C	34.50	26.00	25.30	4000	9.11
CH5298*H*00/01	98	F	PACK-PBC002-C	29.00	23.00	0.08	250	PACK-IBC002-C	31.20	24.30	11.00	1500	PACK-CTC002-C	34.50	26.00	25.30	3000	7.18
CH52X1*H*00/01	100	F	PACK-PBC002-C	29.00	23.00	0.08	250	PACK-IBC002-C	31.20	24.30	11.00	1500	PACK-CTC002-C	34.50	26.00	25.30	3000	7.30
CH5214*H*04	14	F	PACK-PBC003-C	25.00	16.00	0.08	1500	PACK-IBC002-C	31.20	24.30	11.00	18000	PACK-CTC002-C	34.50	26.00	25.30	36000	11.34
CH5216*H*05	16	F	PACK-PBC003-C	25.00	16.00	0.08	1500	PACK-IBC002-C	31.20	24.30	11.00	18000	PACK-CTC002-C	34.50	26.00	25.30	36000	11.70

PACKING METHOD (包裝方式):

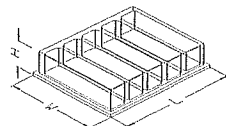
1 PVC BAG (塑膠袋)
SIZE = L * W



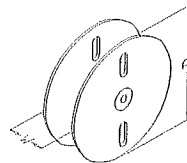
2 TUBE (塑膠管)
SIZE = L * W * H



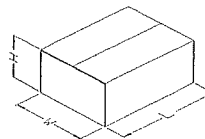
3 PVC TRAY (塑膠盒)
SIZE = L * W * H



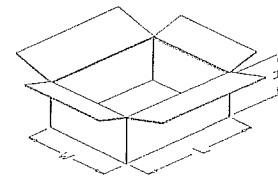
4 REEL (紙盤)
SIZE = D * W



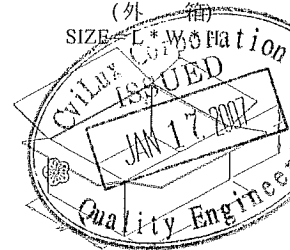
5 BOX (內紙盒)
SIZE = L * W * H



6 INSIDE CARTON (內箱)
SIZE = L * W * H



7 OUTSIDE CARTON (外箱)
SIZE = L * W * H



PACKING METHOD CODE (包裝方式代碼):

- A = 1 → 7
- B = 2 → 7
- C = 3 → 7
- D = 4 → 7
- E = 5 → 7
- F = 1 → 6 → 7
- G = 2 → 6 → 7
- H = 3 → 6 → 7