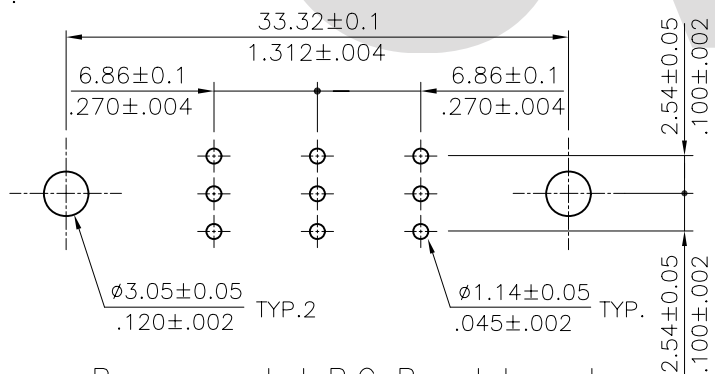
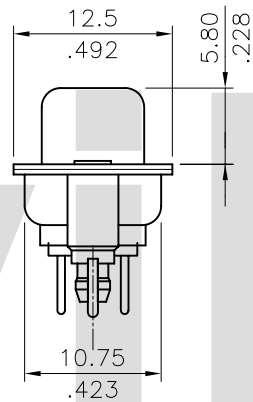
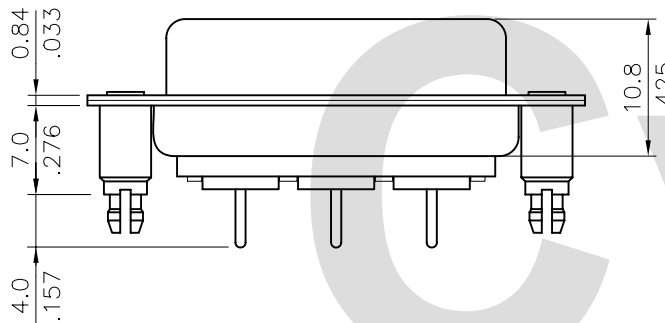


Material:
 Insulator: Glass filled Polyester UL 94V-0
 Shell: Steel, Tin plated as standard
 Coaxial terminal
 Insulator: Teflon UL 94V-0 Color white
 Contact: Brass with Gold plated

Ordering Code

3W3C S C V 3 0 1 75 D00
 ① ② ③ ④ ⑤ ⑥ ⑦ ⑧ ⑨

- ① Series No.
- ② Connector Type:
S = Receptacle (2 Female + 1 Male Contacts)
- ③ Contact type: C = Coaxial Contact
- ④ Contact tail style: V = Straight Dip type
- ⑤ Coaxial contact plating:
2 = Gold flash plated over Nickel
3 = 15u" Gold plated over Nickel
4 = 30u" Gold plated over Nickel
5 = 50u" Gold plated over Nickel
- ⑥ Singal contact plating:
0 = Without singal contact
- ⑦ Insulator color: 1 = Black, 6 = Green
- ⑧ Performance: 50 = 50Ω, 75 = 75Ω
- ⑨ Mounting Style:
000 = With ø3.05mm holes on shell
B00 = Riveted #4-40 UNC open nuts on front shell
C00 = Riveted #4-40 UNC open nuts on rear shell
D00 = Riveted #4-40 UNC ground stand-off on rear shell (standard)



Recommended P.C Board Layout

Mounting Style

RoHS Compliant

Code	000	Code	B00	Code	C00	Code	D00
			DIM. L = 4.0mm		DIM. L = 4.0mm		DIM. L = 7.0mm

4					DATE	UNIT: mm / inch	TITLE: 3W3C MALE COAXIAL D-SUB CONNECTOR (TOP ENTRY BOARD MOUNT TYPE)	瀚荃股份有限公司 CviLux Corporation
3				DRAWN BY: Burgess	9/23-02'	TOLERANCE UNLESS OTHERWISE SPECIFIED	MATERIAL:	
2				ENGINEER: David	9/24-02'	.X ± 0.30/012 X: ± 1'	FINISH:	
1				CHECKED BY: David	9/24-02'	.XX ± 0.20/008 .X ±		
SYM	NAME	DATE	REVISIONS	APPROVED BY: Alex	9/24-02'	.XXX ± 0.10/004 .XX ±		DRAWING NO. 3W3C13SA PART NO. 3W3CSCV*0****00
						SCALE	2 / 1	SHEET 1 OF 1

2002.09.25
 ISSUED