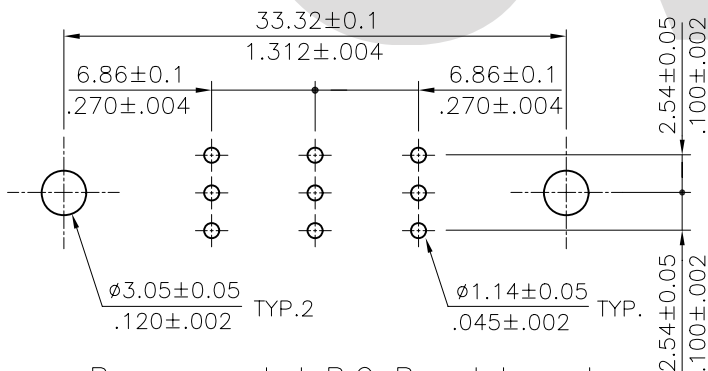
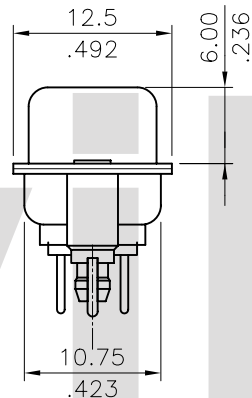
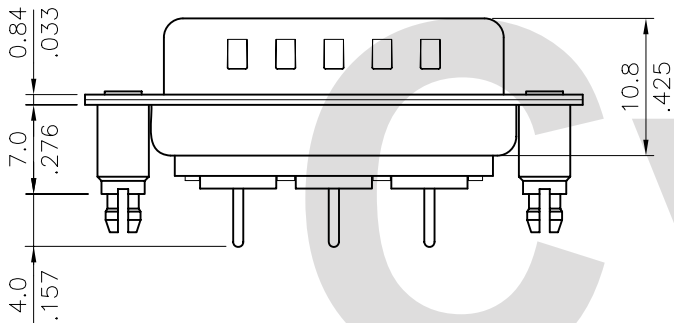


Material:
 Insulator: Glass filled Polyester UL 94V-0
 Shell: Steel, Tin plated as standard
 Coaxial terminal
 Insulator: Teflon UL 94V-0 Color white
 Contact: Brass with Gold plated

Ordering Code

3W3C P C V 3 0 1 75 D00
 ① ② ③ ④ ⑤ ⑥ ⑦ ⑧ ⑨

- ① Series No.
- ② Connector Type: P= Plug (2 Male + 1 Female Contacts)
- ③ Contact type: C= Coaxial Contact
- ④ Contact tail style: V= Straight Dip type
- ⑤ Coaxial contact plating:
 2= Gold flash plated over Nickel
 3= 15μ" Gold plated over Nickel
 4= 30μ" Gold plated over Nickel
 5= 50μ" Gold plated over Nickel
- ⑥ Singal contact plating:
 0= Without singal contact
- ⑦ Insulator color: 1= Black, 6= Green
- ⑧ Performance: 50= 50Ω, 75= 75Ω
- ⑨ Mounting Style:
 000= With ø3.05mm holes on shell
 B00= Riveted #4-40 UNC open nuts on front shell
 C00= Riveted #4-40 UNC open nuts on rear shell
 D00= Riveted #4-40 UNC ground stand-off on rear shell (standard)



Recommended P.C Board Layout

Mounting Style				RoHS Compliant			
Code	000	Code	B00	Code	C00	Code	D00
			DIM. L= 4.0mm		DIM. L= 4.0mm		DIM. L= 7.0mm

4					DATE	UNIT: mm / inch	TITLE: 3W3C MALE COAXIAL D-SUB CONNECTOR (TOP ENTRY BOARD MOUNT TYPE)	瀚荃股份有限公司 CviLux Corporation	
3				DRAWN BY: Burgess	9/23-02'	TOLERANCE UNLESS OTHERWISE SPECIFIED	MATERIAL:		
2				ENGINEER: David	9/24-02'	.X ± 0.30/.012 X: ± 1'	FINISH:		
1				CHECKED BY: David	9/24-02'	.XX ± 0.20/.008 .X ±			
SYM	NAME	DATE	REVISIONS	APPROVED BY: Alex	9/24-02'	.XXX ± 0.10/.004 .XX ±	DRAWING NO. 3W3C12SA	PART NO. 3W3CPCV*0****00	
								SCALE 2 / 1	SHEET 1 OF 1

CIVILUX.CORP.
 2002.09.25
 ISSUED