

Material:

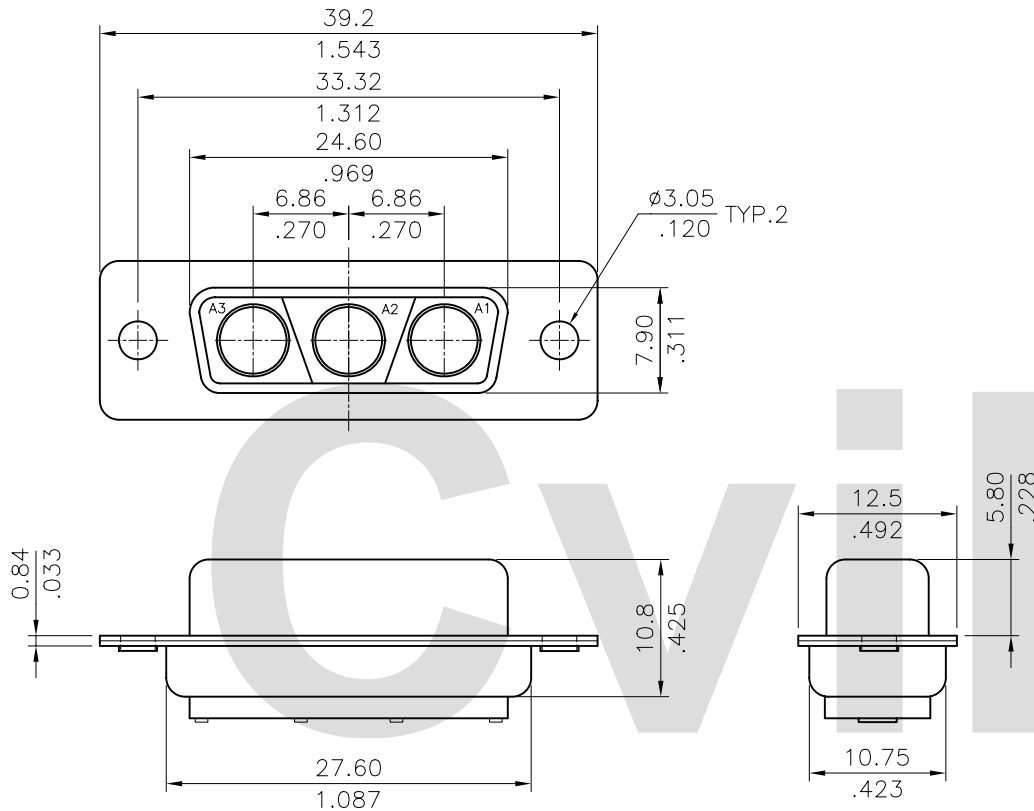
Insulator: Glass filled Polyester UL 94V-0
Color Black or Green

Shell: Steel, Tin plated as standard

Ordering Code

3W3C S0000 100 000
① ② ③ ④

- ① Series No.
- ② Connector Type:
S0000=Receptacle
- ③ Insulator Color:
100=Black
600=Green
- ④ Mounting Style:
000=With $\phi 3.05$ mm holes on shell
A00= Riveted #4-40 UNC close nuts on front shell
B00= Riveted #4-40 UNC open nuts on front shell
C00= Riveted #4-40 UNC open nuts on rear shell



Mounting Style

RoHS Compliant

Code	000	Code	A00	Code	B00	Code	C00
			DIM. L= 5.8mm		DIM. L= 4.0mm		DIM. L= 4.0mm

④					DATE	UNIT: mm / inch	TITLE: 3W3C FEMALE COMBO D-SUB CONNECTOR (SOLDER CUP TYPE)	瀚荃股份有限公司 CviLux Corporation
③				DRAWN BY: David	9/28-01'	TOLERANCE UNLESS OTHERWISE SPECIFIED	MATERIAL:	
②				ENGINEER: David	9/28-01'	.X ± 0.30/012 .X' ± 1"	FINISH:	DRAWING NO. 3W3C02SB
①				CHECKED BY: Alex	9/28-01'	.XX ± 0.20/008 .X' ±		PART NO. 3W3CS0000*00*00
SYM	NAME	DATE	REVISIONS	APPROVED BY: Alex	9/28-01'	.XXX ± 0.10/004 .XX' ±	SCALE	2 / 1
							SHEET	1 OF 1

CVILUX.CORP.
 2001.09.28
 ISSUED