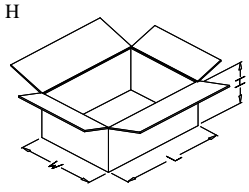
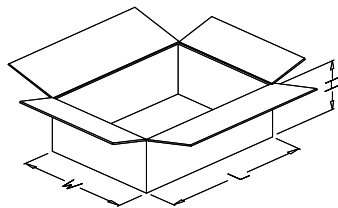
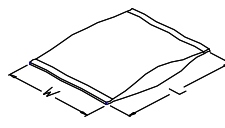
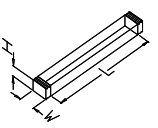
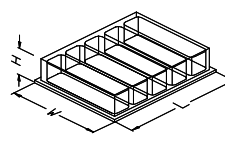
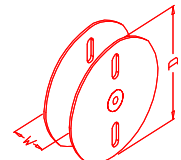


SERIES OR P/N	CIRCUITS	PACKING METHOD CODE	INNER PACKING NO.	INNER PACKING SIZE (CM)			INNER PACKING QTY	REEL NO.	REEL (CM)			PCS / INSIDE CARTON	CARTON NO.	CARTON SIZE (CM)			PCS / CARTON	G.W REF. (KG)
				L/D	W	H			L	W	H			L	W	H		
CF10041U**0/CF10041D**0	4	G	PACK-TBC001-C/H	60.0	0.88	0.90	57	PACK-IBC014-C/H	61.7	6.0	10.2	3762	PACK-CTC011-C	63.0	15.0	23.0	15048	
CF10051U**0/CF10051D**0	5	G	PACK-TBC001-C/H	60.0	0.88	0.90	52	PACK-IBC014-C/H	61.7	6.0	10.2	3432	PACK-CTC011-C	63.0	15.0	23.0	13728	
CF10061U**0/CF10061D**0	6	G	PACK-TBC001-C/H	60.0	0.88	0.90	47	PACK-IBC014-C/H	61.7	6.0	10.2	3102	PACK-CTC011-C	63.0	15.0	23.0	12408	
CF10071U**0/CF10071D**0	7	G	PACK-TBC001-C/H	60.0	0.88	0.90	44	PACK-IBC014-C/H	61.7	6.0	10.2	2904	PACK-CTC011-C	63.0	15.0	23.0	11616	
CF10081U**0/CF10081D**0	8	G	PACK-TBC001-C/H	60.0	0.88	0.90	41	PACK-IBC014-C/H	61.7	6.0	10.2	2706	PACK-CTC011-C	63.0	15.0	23.0	10824	
CF10091U**0/CF10091D**0	9	G	PACK-TBC001-C/H	60.0	0.88	0.90	38	PACK-IBC014-C/H	61.7	6.0	10.2	2508	PACK-CTC011-C	63.0	15.0	23.0	10032	
CF10101U**0/CF10101D**0	10	G	PACK-TBC001-C/H	60.0	0.88	0.90	36	PACK-IBC014-C/H	61.7	6.0	10.2	2376	PACK-CTC011-C	63.0	15.0	23.0	9504	
CF10111U**0/CF10111D**0	11	G	PACK-TBC001-C/H	60.0	0.88	0.90	33	PACK-IBC014-C/H	61.7	6.0	10.2	2178	PACK-CTC011-C	63.0	15.0	23.0	8712	
CF10121U**0/CF10121D**0	12	G	PACK-TBC001-C/H	60.0	0.88	0.90	32	PACK-IBC014-C/H	61.7	6.0	10.2	2112	PACK-CTC011-C	63.0	15.0	23.0	8448	
CF10131U**0/CF10131D**0	13	G	PACK-TBC001-C/H	60.0	0.88	0.90	30	PACK-IBC014-C/H	61.7	6.0	10.2	1980	PACK-CTC011-C	63.0	15.0	23.0	7920	
CF10141U**0/CF10141D**0	14	G	PACK-TBC001-C/H	60.0	0.88	0.90	28	PACK-IBC014-C/H	61.7	6.0	10.2	1848	PACK-CTC011-C	63.0	15.0	23.0	7392	
CF10151U**0/CF10151D**0	15	G	PACK-TBC001-C/H	60.0	0.88	0.90	27	PACK-IBC014-C/H	61.7	6.0	10.2	1782	PACK-CTC011-C	63.0	15.0	23.0	7128	
CF10161U**0/CF10161D**0	16	G	PACK-TBC001-C/H	60.0	0.88	0.90	26	PACK-IBC014-C/H	61.7	6.0	10.2	1716	PACK-CTC011-C	63.0	15.0	23.0	6864	
CF10171U**0/CF10171D**0	17	G	PACK-TBC001-C/H	60.0	0.88	0.90	25	PACK-IBC014-C/H	61.7	6.0	10.2	1650	PACK-CTC011-C	63.0	15.0	23.0	6600	
CF10181U**0/CF10181D**0	18	G	PACK-TBC001-C/H	60.0	0.88	0.90	24	PACK-IBC014-C/H	61.7	6.0	10.2	1584	PACK-CTC011-C	63.0	15.0	23.0	6336	
CF10191U**0/CF10191D**0	19	G	PACK-TBC001-C/H	60.0	0.88	0.90	23	PACK-IBC014-C/H	61.7	6.0	10.2	1518	PACK-CTC011-C	63.0	15.0	23.0	6072	
CF10201U**0/CF10201D**0	20	G	PACK-TBC001-C/H	60.0	0.88	0.90	22	PACK-IBC014-C/H	61.7	6.0	10.2	1452	PACK-CTC011-C	63.0	15.0	23.0	5808	
CF10211U**0/CF10211D**0	21	G	PACK-TBC001-C/H	60.0	0.88	0.90	21	PACK-IBC014-C/H	61.7	6.0	10.2	1386	PACK-CTC011-C	63.0	15.0	23.0	5544	
CF10221U**0/CF10221D**0	22	G	PACK-TBC001-C/H	60.0	0.88	0.90	20	PACK-IBC014-C/H	61.7	6.0	10.2	1320	PACK-CTC011-C	63.0	15.0	23.0	5280	
CF10231U**0/CF10231D**0	23	G	PACK-TBC001-C/H	60.0	0.88	0.90	19	PACK-IBC014-C/H	61.7	6.0	10.2	1254	PACK-CTC011-C	63.0	15.0	23.0	5016	
CF10241U**0/CF10241D**0	24	G	PACK-TBC001-C/H	60.0	0.88	0.90	19	PACK-IBC014-C/H	61.7	6.0	10.2	1254	PACK-CTC011-C	63.0	15.0	23.0	5016	
CF10251U**0/CF10251D**0	25	G	PACK-TBC001-C/H	60.0	0.88	0.90	18	PACK-IBC014-C/H	61.7	6.0	10.2	1188	PACK-CTC011-C	63.0	15.0	23.0	4752	
CF10261U**0/CF10261D**0	26	G	PACK-TBC001-C/H	60.0	0.88	0.90	18	PACK-IBC014-C/H	61.7	6.0	10.2	1188	PACK-CTC011-C	63.0	15.0	23.0	4752	
CF10271U**0/CF10271D**0	27	G	PACK-TBC001-C/H	60.0	0.88	0.90	17	PACK-IBC014-C/H	61.7	6.0	10.2	1122	PACK-CTC011-C	63.0	15.0	23.0	4488	
CF10281U**0/CF10281D**0	28	G	PACK-TBC001-C/H	60.0	0.88	0.90	17	PACK-IBC014-C/H	61.7	6.0	10.2	1122	PACK-CTC011-C	63.0	15.0	23.0	4488	
CF10291U**0/CF10291D**0	29	G	PACK-TBC001-C/H	60.0	0.88	0.90	16	PACK-IBC014-C/H	61.7	6.0	10.2	1056	PACK-CTC011-C	63.0	15.0	23.0	4224	
CF10301U**0/CF10301D**0	30	G	PACK-TBC001-C/H	60.0	0.88	0.90	16	PACK-IBC014-C/H	61.7	6.0	10.2	1056	PACK-CTC011-C	63.0	15.0	23.0	4224	
CF10311U**0/CF10311D**0	31	G	PACK-TBC001-C/H	60.0	0.88	0.90	15	PACK-IBC014-C/H	61.7	6.0	10.2	990	PACK-CTC011-C	63.0	15.0	23.0	3960	
CF10321U**0/CF10321D**0	32	G	PACK-TBC001-C/H	60.0	0.88	0.90	15	PACK-IBC014-C/H	61.7	6.0	10.2	990	PACK-CTC011-C	63.0	15.0	23.0	3960	

注：真空管先用塑膠袋 (PACK-PBC012/-H不穿孔) 裝好后再裝入外箱。

PACKING METHOD (包裝方式) :							6 INSIDE CARTON (內箱) SIZE = L * W * H 	7 OUTSIDE CARTON (外箱) SIZE = L * W * H 	PACKING METHOD CODE (包裝方式代碼) : A = 1 7 B = 2 7 C = 3 7 D = 4 7 E = 5 7 F = 1 6 7 G = (2+1) 6 7 H = 3 6 7
1 PVC BAG (塑膠袋) SIZE = L * W 	2 TUBE (塑膠管) SIZE = L * W * H 	3 PVC TRAY (塑膠盒) SIZE = L * W * H 	4 REEL (紙盤) SIZE = D * W 	5 BOX (內紙盒) SIZE = L * W * H 