

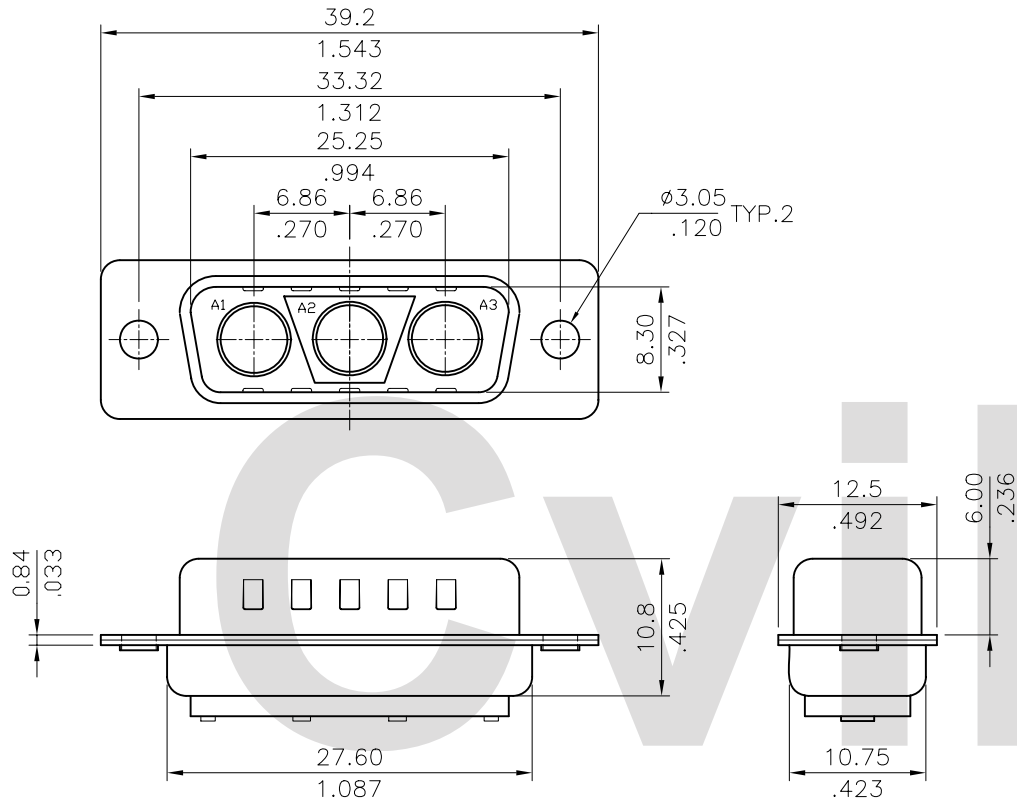
Material:

Insulator: Glass filled Polyester UL 94V-0
 Color Black or Green
 Shell: Steel, Tin plated as standard

Ordering Code

3W3C P000 100 000
 ① ② ③ ④

- ① Series No.
- ② Connector Type:
P000=Plug
- ③ Insulator Color:
100=Black
600=Green
- ④ Mounting Style:
000=With $\phi 3.05$ mm holes on shell
A00= Riveted #4-40 UNC close nuts on front shell
B00= Riveted #4-40 UNC open nuts on front shell
C00= Riveted #4-40 UNC open nuts on rear shell



Mounting Style

RoHS Compliant

Code	000	Code	A00	Code	B00	Code	C00
			DIM. L= 5.8mm		DIM. L= 4.0mm		DIM. L= 4.0mm

4					DATE	UNIT: mm / inch	TITLE: 3W3C MALE COMBO D-SUB CONNECTOR (SOLDER CUP TYPE)	瀚荃股份有限公司 CviLux Corporation
3				DRAWN BY: David	9/28-01'	TOLERANCE UNLESS OTHERWISE SPECIFIED	MATERIAL:	
2				ENGINEER: David	9/28-01'	.X ± 0.30/.012	.X' ± 1'	DRAWING NO. 3W3C01SB PART NO. 3W3CP0000*00*00 SCALE 2 / 1 SHEET 1 OF 1
1				CHECKED BY: Alex	9/28-01'	.XX ± 0.20/.008	.X' ±	
SYM	NAME	DATE	REVISIONS	APPROVED BY: Alex	9/28-01'	.XXX ± 0.10/.004	.XX' ±	

