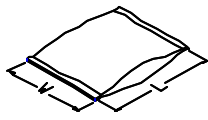


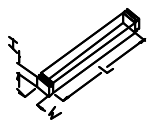
SERIES OR P/N	CIRCUITS	PACKING METHOD CODE	INNER PACKING NO.	INNER PACKING SIZE (CM)			INNER PACKING QTY	INSIDE CARTON SIZE (CM)			PCS / INSIDE CARTON	CARTON NO.	CARTON SIZE (CM)			PCS / CARTON	G.W REF. (KG)	
				D	W	H		L	W	H			L	W	H			
CF07041D*T*/U*T*	4	G	PACK-TBC003/017-C	60	1.1	0.45	52	PACK-IBC004	61.7	6.0	10.2	5200	PACK-CTC011	63.0	15.0	23.0	20800	
CF07051D*T*/U*T*	5	G	PACK-TBC003/017-C	60	1.1	0.45	48	PACK-IBC004	61.7	6.0	10.2	4800	PACK-CTC011	63.0	15.0	23.0	19200	
CF07061D*T*/U*T*	6	G	PACK-TBC003/017-C	60	1.1	0.45	44	PACK-IBC004	61.7	6.0	10.2	4400	PACK-CTC011	63.0	15.0	23.0	17600	
CF07071D*T*/U*T*	7	G	PACK-TBC003/017-C	60	1.1	0.45	41	PACK-IBC004	61.7	6.0	10.2	4100	PACK-CTC011	63.0	15.0	23.0	16400	
CF07081D*T*/U*T*	8	G	PACK-TBC003/017-C	60	1.1	0.45	38	PACK-IBC004	61.7	6.0	10.2	3800	PACK-CTC011	63.0	15.0	23.0	15200	
CF07091D*T*/U*T*	9	G	PACK-TBC003/017-C	60	1.1	0.45	36	PACK-IBC004	61.7	6.0	10.2	3600	PACK-CTC011	63.0	15.0	23.0	14400	
CF07101D*T*/U*T*	10	G	PACK-TBC003/017-C	60	1.1	0.45	34	PACK-IBC004	61.7	6.0	10.2	3400	PACK-CTC011	63.0	15.0	23.0	13600	
CF07111D*T*/U*T*	11	G	PACK-TBC003/017-C	60	1.1	0.45	32	PACK-IBC004	61.7	6.0	10.2	3200	PACK-CTC011	63.0	15.0	23.0	12800	
CF07121D*T*/U*T*	12	G	PACK-TBC003/017-C	60	1.1	0.45	30	PACK-IBC004	61.7	6.0	10.2	3000	PACK-CTC011	63.0	15.0	23.0	12000	
CF07131D*T*/U*T*	13	G	PACK-TBC003/017-C	60	1.1	0.45	29	PACK-IBC004	61.7	6.0	10.2	2900	PACK-CTC011	63.0	15.0	23.0	11600	
CF07141D*T*/U*T*	14	G	PACK-TBC003/017-C	60	1.1	0.45	27	PACK-IBC004	61.7	6.0	10.2	2700	PACK-CTC011	63.0	15.0	23.0	10800	
CF07151D*T*/U*T*	15	G	PACK-TBC003/017-C	60	1.1	0.45	26	PACK-IBC004	61.7	6.0	10.2	2600	PACK-CTC011	63.0	15.0	23.0	10400	
CF07161D*T*/U*T*	16	G	PACK-TBC003/017-C	60	1.1	0.45	25	PACK-IBC004	61.7	6.0	10.2	2500	PACK-CTC011	63.0	15.0	23.0	10000	
CF07171D*T*/U*T*	17	G	PACK-TBC003/017-C	60	1.1	0.45	24	PACK-IBC004	61.7	6.0	10.2	2400	PACK-CTC011	63.0	15.0	23.0	9600	
CF07181D*T*/U*T*	18	G	PACK-TBC003/017-C	60	1.1	0.45	23	PACK-IBC004	61.7	6.0	10.2	2300	PACK-CTC011	63.0	15.0	23.0	9200	
CF07191D*T*/U*T*	19	G	PACK-TBC003/017-C	60	1.1	0.45	22	PACK-IBC004	61.7	6.0	10.2	2200	PACK-CTC011	63.0	15.0	23.0	8800	
CF07201D*T*/U*T*	20	G	PACK-TBC003/017-C	60	1.1	0.45	21	PACK-IBC004	61.7	6.0	10.2	2100	PACK-CTC011	63.0	15.0	23.0	8400	
CF07211D*T*/U*T*	21	G	PACK-TBC003/017-C	60	1.1	0.45	20	PACK-IBC004	61.7	6.0	10.2	2000	PACK-CTC011	63.0	15.0	23.0	8000	
CF07221D*T*/U*T*	22	G	PACK-TBC003/017-C	60	1.1	0.45	20	PACK-IBC004	61.7	6.0	10.2	2000	PACK-CTC011	63.0	15.0	23.0	8000	
CF07231D*T*/U*T*	23	G	PACK-TBC003/017-C	60	1.1	0.45	19	PACK-IBC004	61.7	6.0	10.2	1900	PACK-CTC011	63.0	15.0	23.0	7600	
CF07241D*T*/U*T*	24	G	PACK-TBC003/017-C	60	1.1	0.45	18	PACK-IBC004	61.7	6.0	10.2	1800	PACK-CTC011	63.0	15.0	23.0	7200	
CF07251D*T*/U*T*	25	G	PACK-TBC003/017-C	60	1.1	0.45	18	PACK-IBC004	61.7	6.0	10.2	1800	PACK-CTC011	63.0	15.0	23.0	7200	
CF07261D*T*/U*T*	26	G	PACK-TBC003/017-C	60	1.1	0.45	17	PACK-IBC004	61.7	6.0	10.2	1700	PACK-CTC011	63.0	15.0	23.0	6800	
CF07271D*T*/U*T*	27	G	PACK-TBC003/017-C	60	1.1	0.45	17	PACK-IBC004	61.7	6.0	10.2	1700	PACK-CTC011	63.0	15.0	23.0	6800	
CF07281D*T*/U*T*	28	G	PACK-TBC003/017-C	60	1.1	0.45	16	PACK-IBC004	61.7	6.0	10.2	1600	PACK-CTC011	63.0	15.0	23.0	6400	
CF07291D*T*/U*T*	29	G	PACK-TBC003/017-C	60	1.1	0.45	16	PACK-IBC004	61.7	6.0	10.2	1600	PACK-CTC011	63.0	15.0	23.0	6400	
CF07301D*T*/U*T*	30	G	PACK-TBC003/017-C	60	1.1	0.45	15	PACK-IBC004	61.7	6.0	10.2	1500	PACK-CTC011	63.0	15.0	23.0	6000	

PACKING METHOD (包裝方式) :

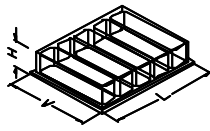
1 PVC BAG (塑膠袋)
SIZE = L * W



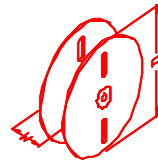
2 TUBE (塑膠管)
SIZE = L * W * H



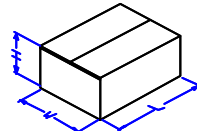
3 (塑膠盒)
SIZE = L * W * H



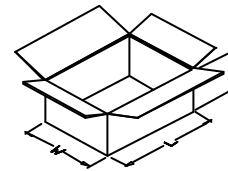
4 REEL (紙盤)
SIZE = D * W



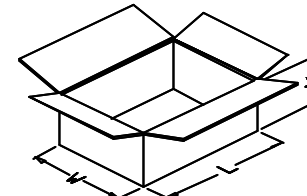
5 BOX (內紙盒)
SIZE = L * W * H



6 INSIDE CARTON (內箱)
SIZE = L * W * H



7 OUTSIDE CARTON (外箱)
SIZE = L * W * H

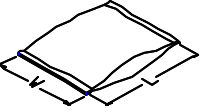
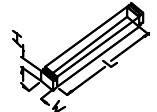
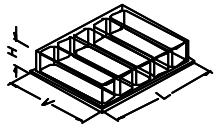
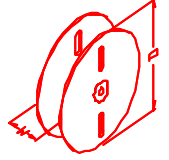
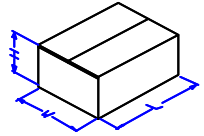
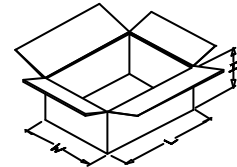
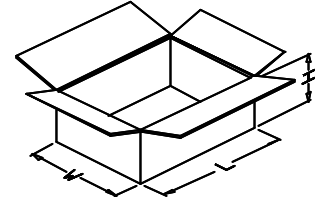


PACKING METHOD CODE (包裝方式代碼) :

A = 1 7
B = 2 7
C = 3 7
D = 4 7
E = 5 7
F = 1 6 7
G = (2+1) 6 7
H = 3 6 7

SERIES OR P/N	CIRCUITS	PACKING METHOD CODE	INNER PACKING NO.	INNER PACKING SIZE (CM)			INNER PACKIN G QTY	INSIDE CARTON NO.	INSIDE CARTON SIZE (CM)			PCS / INSIDE CARTON	CARTON NO.	CARTON SIZE (CM)			PCS / CARTON	G.W REF. (KG)
				D	W	H			L	W	H			L	W	H		
CF07301D0T0-A	30	G	PACK-TBC003/017-C	60	1.1	0.45	15	PACK-IBC004-C	61.7	6.0	10.2	1500	PACK-CTC038-C	63.0	15.0	23.0	6000	
CF07311D*T*/U*T*	31	G	PACK-TBC003/017-C	60	1.1	0.45	15	PACK-IBC004	61.7	6.0	10.2	1500	PACK-CTC011	63.0	15.0	23.0	6000	
CF07321D*T*/U*T*	32	G	PACK-TBC003/017-C	60	1.1	0.45	15	PACK-IBC004	61.7	6.0	10.2	1500	PACK-CTC011	63.0	15.0	23.0	6000	
注：CF07*****-A 此A碼代表包材上無瀚荃 Logo標示																		

PACKING METHOD (包裝方式)：

<p>1 PVC BAG (塑膠袋) SIZE = L * W</p> 	<p>2 TUBE (塑膠管) SIZE = L * W * H</p> 	<p>3 (塑膠盒) SIZE = L * W * H</p> 	<p>4 REEL (紙盤) SIZE = D * W</p> 	<p>5 BOX (內紙盒) SIZE = L * W * H</p> 	<p>6 INSIDE CARTON (內箱) SIZE = L * W * H</p> 	<p>7 OUTSIDE CARTON (外箱) SIZE = L * W * H</p> 	<p>PACKING METHOD CODE (包裝方式代碼)：</p> <p>A = 1 7 B = 2 7 C = 3 7 D = (4+1) 7 E = 5 7 F = 1 6 7 G = (2+1) 6 7 H = 3 6 7</p>
---	--	---	---	--	--	---	--

核准：SMITH

審核：JACKAL

製訂：YI