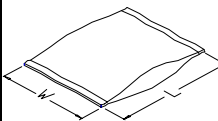
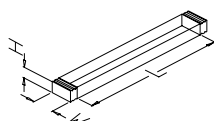
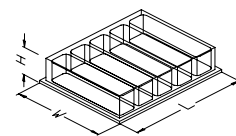
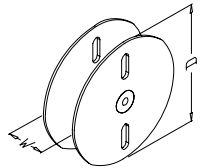
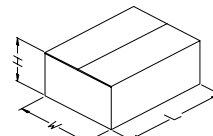
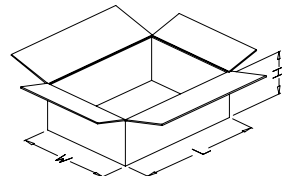
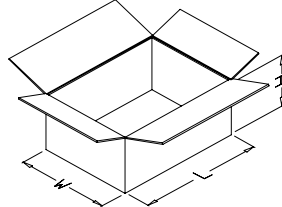




SERIES OR P/N	CIRCUITS	PACKING METHOD CODE	INNER PACKING NO.	INNER PACKING SIZE (CM)			INNER PACKING QTY	INSIDE CARTON NO.	INSIDE CARTON SIZE (CM)			PCS / INSIDE CARTON	CARTON NO.	CARTON SIZE (CM)			PCS / CARTON	G.W REF. (KG)
				L/D	W	H			L	W	H			L	W	H		
CB0110*M100-*P	10	D	PACK-CRCB**C	—	2.40	—	800	PACK-RLCB00	—	2.45	—	800	PACK-CTC034-C	35.0	35.0	29.0	7200	6.27
CB0111*M100-*P	11	D	PACK-CRCB**C	—	2.40	—	800	PACK-RLCB00	—	2.45	—	800	PACK-CTC034-C	35.0	35.0	29.0	7200	6.43
<b>CB0112*M100-*P</b>	<b>12</b>	<b>D</b>	<b>PACK-CRCC118-C</b>	—	<b>3.20</b>	—	<b>800</b>	<b>PACK-RLCC00</b>	—	<b>3.25</b>	—	<b>800</b>	<b>PACK-CTC034-C</b>	<b>35.0</b>	<b>35.0</b>	<b>29.0</b>	<b>5600</b>	<b>5.68</b>
CB0113*M100-*P	13	D	PACK-CRCC**C	—	3.20	—	800	PACK-RLCC00	—	3.25	—	800	PACK-CTC034-C	35.0	35.0	29.0	5600	5.81
CB0114*M100-*P	14	D	PACK-CRCC**C	—	3.20	—	800	PACK-RLCC00	—	3.25	—	800	PACK-CTC034-C	35.0	35.0	29.0	5600	5.94
CB0115*M100-*P	15	D	PACK-CRCC**C	—	3.20	—	800	PACK-RLCC00	—	3.25	—	800	PACK-CTC034-C	35.0	35.0	29.0	5600	6.07
CB0116*M100-*P	16	D	PACK-CRCD**C	—	4.40	—	800	PACK-RLCD00	—	4.25	—	800	PACK-CTC034-C	35.0	35.0	29.0	4000	5.00
CB0117*M100-*P	17	D	PACK-CRCD**C	—	4.40	—	800	PACK-RLCD00	—	4.25	—	800	PACK-CTC034-C	35.0	35.0	29.0	4000	5.09
CB0118*M100-*P	18	D	PACK-CRCD**C	—	4.40	—	800	PACK-RLCD00	—	4.25	—	800	PACK-CTC034-C	35.0	35.0	29.0	4000	5.18
CB0119*M100-*P	19	D	PACK-CRCD**C	—	4.40	—	800	PACK-RLCD00	—	4.25	—	800	PACK-CTC034-C	35.0	35.0	29.0	4000	5.27
CB0120*M100-*P	20	D	PACK-CRCD**C	—	4.40	—	800	PACK-RLCD00	—	4.25	—	800	PACK-CTC034-C	35.0	35.0	29.0	4000	5.37
CB0121*M100-*P	21	D	PACK-CRCD**C	—	4.40	—	800	PACK-RLCD00	—	4.25	—	800	PACK-CTC034-C	35.0	35.0	29.0	4000	5.46
CB0122*M100-*P	22	D	PACK-CRCD**C	—	4.40	—	800	PACK-RLCD00	—	4.25	—	800	PACK-CTC034-C	35.0	35.0	29.0	4000	5.55
CB0123*M100-*P	23	D	PACK-CRCD**C	—	4.40	—	800	PACK-RLCD00	—	4.25	—	800	PACK-CTC034-C	35.0	35.0	29.0	4000	5.64
CB0124*M100-*P	24	D	PACK-CRCD**C	—	4.40	—	800	PACK-RLCD00	—	4.25	—	800	PACK-CTC034-C	35.0	35.0	29.0	4000	5.73
CB0125*M100-*P	25	D	PACK-CRCE**C	—	5.60	—	800	PACK-RLCE00	—	5.65	—	800	PACK-CTC034-C	35.0	35.0	29.0	3200	5.17
CB0126*M100-*P	26	D	PACK-CRCE**C	—	5.60	—	800	PACK-RLCE00	—	5.65	—	800	PACK-CTC034-C	35.0	35.0	29.0	3200	5.24
CB0127*M100-*P	27	D	PACK-CRCE**C	—	5.60	—	800	PACK-RLCE00	—	5.65	—	800	PACK-CTC034-C	35.0	35.0	29.0	3200	5.32
CB0128*M100-*P	28	D	PACK-CRCE**C	—	5.60	—	800	PACK-RLCE00	—	5.65	—	800	PACK-CTC034-C	35.0	35.0	29.0	3200	5.39
CB0129*M100-*P	29	D	PACK-CRCE**C	—	5.60	—	800	PACK-RLCE00	—	5.65	—	800	PACK-CTC034-C	35.0	35.0	29.0	3200	5.46
CB0130*M100-*P	30	D	PACK-CRCE**C	—	5.60	—	800	PACK-RLCE00	—	5.65	—	800	PACK-CTC034-C	35.0	35.0	29.0	3200	5.54
CB0131*M100-*P	31	D	PACK-CRCE**C	—	5.60	—	800	PACK-RLCE00	—	5.65	—	800	PACK-CTC034-C	35.0	35.0	29.0	3200	5.61
CB0132*M100-*P	32	D	PACK-CRCE**C	—	5.60	—	800	PACK-RLCE00	—	5.65	—	800	PACK-CTC034-C	35.0	35.0	29.0	3200	5.69
CB0133*M100-*P	33	D	PACK-CRCE**C	—	5.60	—	800	PACK-RLCE00	—	5.65	—	800	PACK-CTC034-C	35.0	35.0	29.0	3200	5.72
CB0134*M100-*P	34	D	PACK-CRCF**C	—	7.20	—	800	PACK-RLCF00	—	7.25	—	800	PACK-CTC034-C	35.0	35.0	29.0	2400	4.93
CB0135*M100-*P	35	D	PACK-CRCF**C	—	7.20	—	800	PACK-RLCF00	—	7.25	—	800	PACK-CTC034-C	35.0	35.0	29.0	2400	4.96

**PACKING METHOD (包裝方式) :**

<p><b>1</b> PVC BAG (塑膠袋) SIZE = L * W</p> 	<p><b>2</b> TUBE (塑膠管) SIZE = L * W * H</p> 	<p><b>3</b> PVC TRAY (塑膠盒) SIZE = L * W * H</p> 	<p><b>4</b> REEL (紙盤) SIZE = D * W</p> 	<p><b>5</b> BOX (內紙盒) SIZE = L * W * H</p> 	<p><b>6</b> INSIDE CARTON (內箱) SIZE = L * W * H</p> 	<p><b>7</b> OUTSIDE CARTON (外箱) SIZE = L * W * H</p> 	<p><b>PACKING METHOD CODE (包裝方式代碼)</b></p> <p><input type="checkbox"/> A = 1 → 7</p> <p><input type="checkbox"/> B = 2 → 7</p> <p><input type="checkbox"/> C = 3 → 7</p> <p><input checked="" type="checkbox"/> D = (4+1) → 7</p> <p><input type="checkbox"/> E = 5 → 7</p> <p><input type="checkbox"/> F = 1 → 6 → 7</p> <p><input type="checkbox"/> G = 2 → 6 → 7</p> <p><input type="checkbox"/> H = 3 → 6 → 7</p>
---	---	---	--	--	---	--	---



瀚荃股份有限公司  
CviLux Corporation  
PACKING STANDARD

SERIES OR P/N	CIRCUITS	PACKING METHOD CODE	INNER PACKING NO.	INNER PACKING SIZE (CM)			INNER PACKING QTY	INSIDE CARTON NO.	INSIDE CARTON SIZE (CM)			PCS / INSIDE CARTON	CARTON NO.	CARTON SIZE (CM)			PCS / CARTON	G.W REF. (KG)
				L/D	W	H			L	W	H			L	W	H		
CB0136*M100.*P	36	D	PACK-CRCF**C	—	7.20	—	800	PACK-RLCF00	—	7.25	—	800	PACK-CTC034-C	35.0	35.0	29.0	2400	4.99
CB0137*M100.*P	37	D	PACK-CRCF**C	—	7.20	—	800	PACK-RLCF00	—	7.25	—	800	PACK-CTC034-C	35.0	35.0	29.0	2400	5.02
CB0138*M100.*P	38	D	PACK-CRCF**C	—	7.20	—	800	PACK-RLCF00	—	7.25	—	800	PACK-CTC034-C	35.0	35.0	29.0	2400	5.04
CB0139*M100.*P	39	D	PACK-CRCF**C	—	7.20	—	800	PACK-RLCF00	—	7.25	—	800	PACK-CTC034-C	35.0	35.0	29.0	2400	5.07
CB0140*M100.*P	40	D	PACK-CRCF**C	—	7.20	—	800	PACK-RLCF00	—	7.25	—	800	PACK-CTC034-C	35.0	35.0	29.0	2400	5.10
CB0141*M100.*P	41	D	PACK-CRCF**C	—	7.20	—	800	PACK-RLCF00	—	7.25	—	800	PACK-CTC034-C	35.0	35.0	29.0	2400	5.13
CB0142*M100.*P	42	D	PACK-CRCF**C	—	7.20	—	800	PACK-RLCF00	—	7.25	—	800	PACK-CTC034-C	35.0	35.0	29.0	2400	5.15
CB0143*M100.*P	43	D	PACK-CRCF**C	—	7.20	—	800	PACK-RLCF00	—	7.25	—	800	PACK-CTC034-C	35.0	35.0	29.0	2400	5.24
CB0144*M100.*P	44	D	PACK-CRCF01-C	—	7.20	—	800	PACK-RLCF00	—	7.25	—	800	PACK-CTC034-C	35.0	35.0	29.0	2400	5.41
CB0145*M100.*P	45	D	PACK-CRCF**C	—	7.20	—	800	PACK-RLCF00	—	7.25	—	800	PACK-CTC034-C	35.0	35.0	29.0	2400	5.42
CB0146*M100.*P	46	D	PACK-CRCF**C	—	7.20	—	800	PACK-RLCF00	—	7.25	—	800	PACK-CTC034-C	35.0	35.0	29.0	2400	5.45
CB0147*M100.*P	47	D	PACK-CRCG**C	—	8.80	—	800	PACK-RLCG00	—	8.85	—	800	PACK-CTC034-C	35.0	35.0	29.0	2400	5.38
CB0148*M100.*P	48	D	PACK-CRCG**C	—	8.80	—	800	PACK-RLCG00	—	8.85	—	800	PACK-CTC034-C	35.0	35.0	29.0	2400	5.41
CB0149*M100.*P	49	D	PACK-CRCG**C	—	8.80	—	800	PACK-RLCG00	—	8.85	—	800	PACK-CTC034-C	35.0	35.0	29.0	2400	5.44
CB0150*M100.*P	50	D	PACK-CRCG**C	—	8.80	—	800	PACK-RLCG00	—	8.85	—	800	PACK-CTC034-C	35.0	35.0	29.0	2400	5.47
注：塑膠盤先用塑膠袋 (PACK-PBC0**C不穿孔) 裝好后再裝入外箱。 外箱中有紙板 (PACK-STC016-C)兩塊，隔板 (PACK-STC001-C)四塊。																		

PACKING METHOD (包裝方式)：

<p><b>1</b> PVC BAG (塑膠袋) SIZE = L * W</p>	<p><b>2</b> TUBE (塑膠管) SIZE = L * W * H</p>	<p><b>3</b> PVC TRAY (塑膠盒) SIZE = L * W * H</p>	<p><b>4</b> REEL (紙盤) SIZE = D * W</p>	<p><b>5</b> BOX (內紙盒) SIZE = L * W * H</p>	<p><b>6</b> INSIDE CARTON (內箱) SIZE = L * W * H</p>	<p><b>7</b> OUTSIDE CARTON (外箱) SIZE = L * W * H</p>	<p>PACKING METHOD CODE (包裝方式代碼)</p> <p><input type="checkbox"/> A = 1 → 7</p> <p><input type="checkbox"/> B = 2 → 7</p> <p><input type="checkbox"/> C = 3 → 7</p> <p><input checked="" type="checkbox"/> D = (4+1) → 7</p> <p><input type="checkbox"/> E = 5 → 7</p> <p><input type="checkbox"/> F = 1 → 6 → 7</p> <p><input type="checkbox"/> G = 2 → 6 → 7</p> <p><input type="checkbox"/> H = 3 → 6 → 7</p>
--	---	---	--	--	---	--	--