

Material:

Base: Nylon 46 UL 94V-0, Color Nature

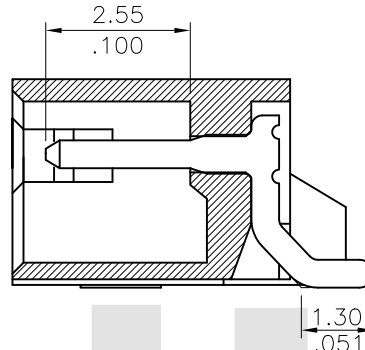
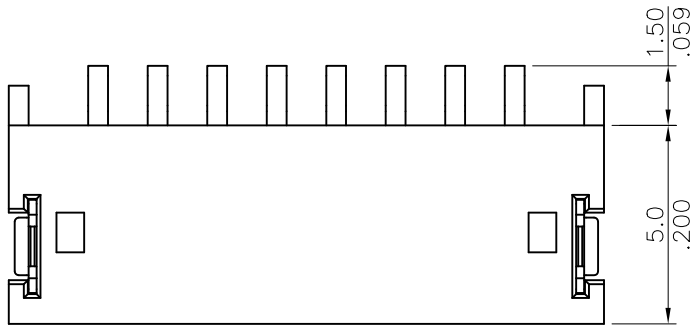
Contact: Copper alloy with Tin plated

Tab: Copper alloy with Tin plated

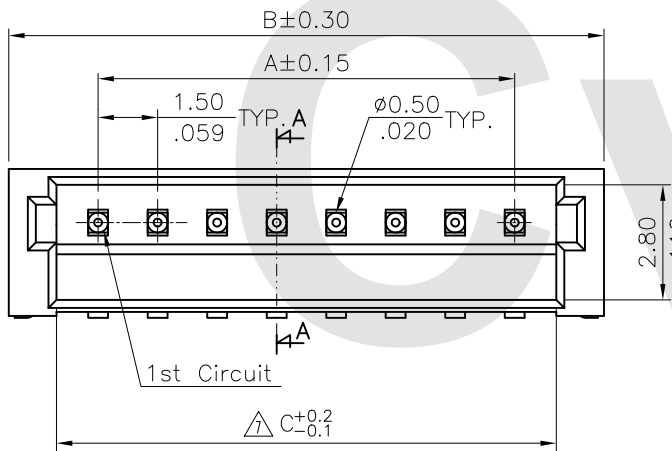
**ORDERING CODE**

C115 \*\* M 1 H R0  
 ① ② ③ ④ ⑤ ⑥

- ① Series No.
- ② Contacts: 02 to 13
- ③ M= SMT type header
- ④ Plating:  
 1= 100μ" Min. Tin Plated  
 over 50μ" Nickel
- ⑤ Type: H= Right angle
- ⑥ Other option:  
 R0= Tape & reel packing (Standard)  
 T0= Tube packing



SEC. A-A SCALE 7/1

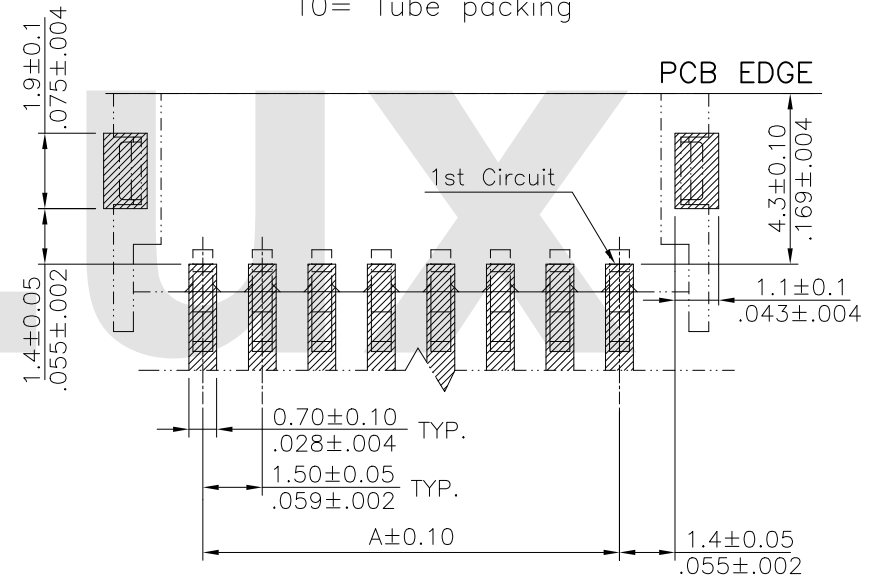


DIM. A = 1.50 x NO. OF SPACES

DIM. B = DIM. A + 4.5

DIM. C = DIM. A + 2.1

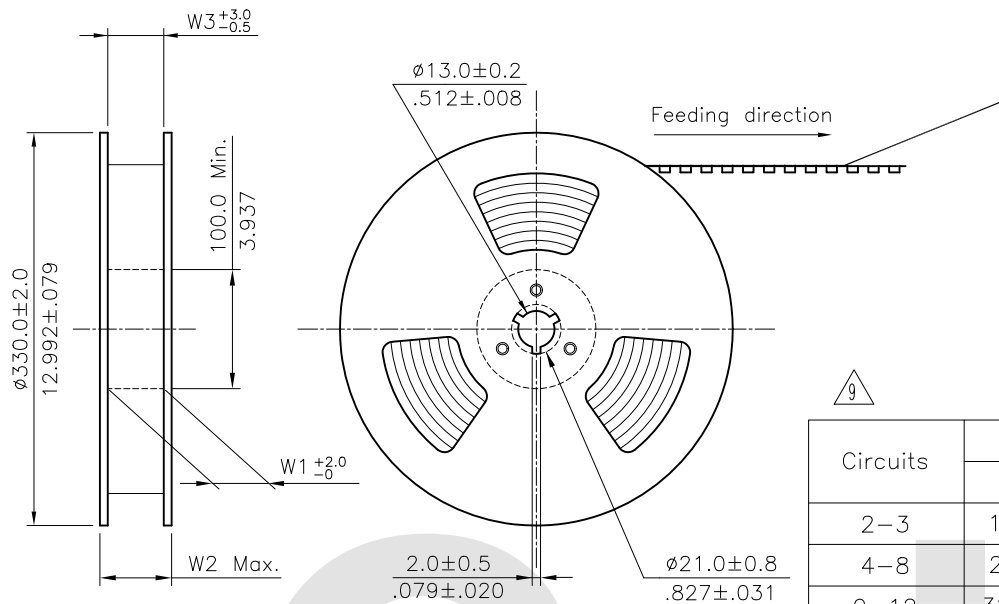
\* AVAILABLE IN 2 THROUGH 13 CIRCUITS



Recommended P.C. Board Layout

Tin-Lead Process      RoHS compliant

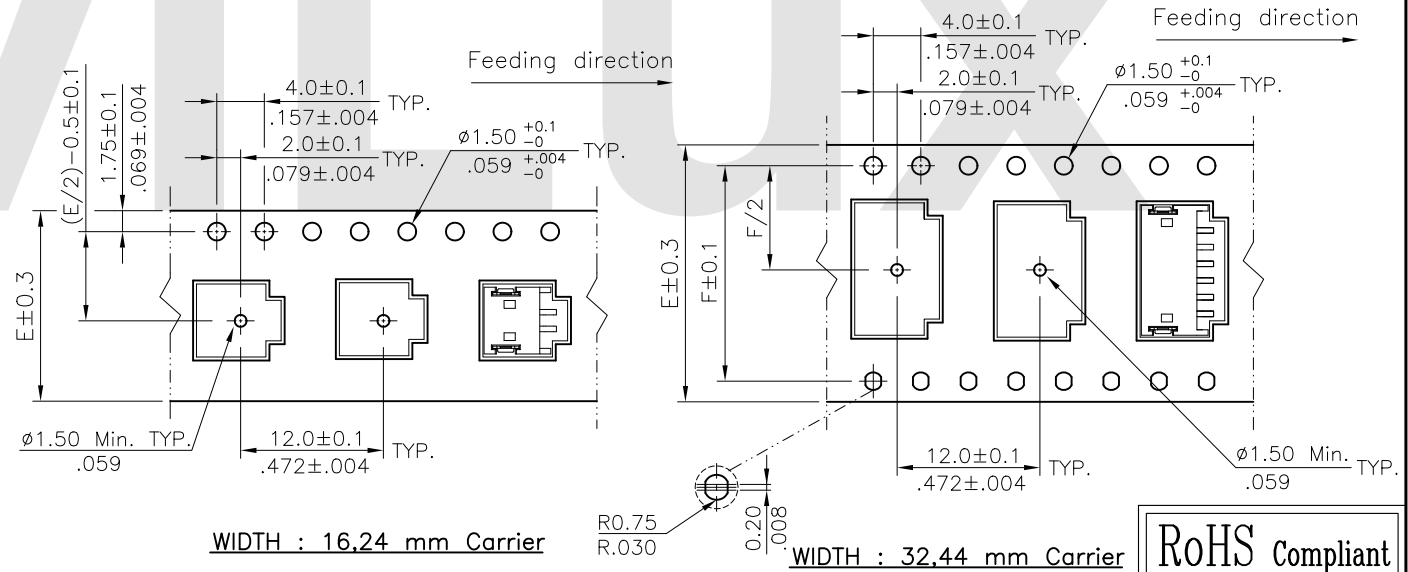
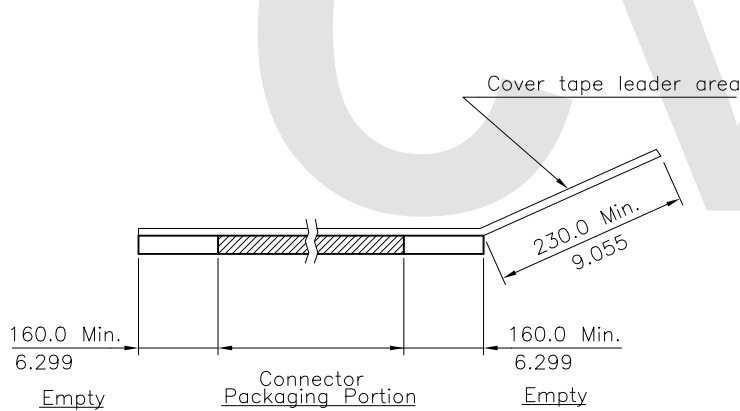
10	Sun	7/05-16'	ECRH116023/ECNT116141		DATE	UNIT: mm / inch	TITLE: 1.50MM(.059") Right Angle SMT Type Header
9	Enya	9/11-13'	ECNT113054/ECRH113002		DRAWN BY: Sun	7/5-16'	TOLERANCE UNLESS OTHERWISE SPECIFIED
8	Sun	9/22-11'	ECR11039-2/ECN11060		ENGINEER: Sun	7/5-16'	
7	Sun	3/31-09'	ECR09021-2/ECN09164		CHECKED BY: Eisley	7/6-16'	.XX ± 0.20/.008    X' ±
SYM	NAME	DATE	REVISIONS		APPROVED BY: Eisley	7/6-16'	.XXX ± 0.10/.004    .XX' ±
DRAWING NO.		C11501SJ		PART NO.		C115**M1H*0	
SCALE		5 / 1		SHEET		1 OF 2	



NOTE :

- \* Reel Material : Corrugated Paper
- \* Carrier Material : Clear, Conductive Polystyrene Alloy
- \* Cover Tape Material : Polyester
- \* Cover Tape Peel Strength : 0.1N – 1.3N
- \* Carrier camber is within 1mm in 100mm
- \* All dimensions meet EIA-481-2 & EIA-481-3 requirements.
- \* Quantity : 1400 PCS/Reel

Circuits	Dimension					Packing (Reel/Carton)
	E	F	W1	W2	W3	
2-3	16.0(.630)	-----	16.5(.650)	22.5(.886)	16.5(.650)	11
4-8	24.0(.945)	-----	24.5(.965)	30.5(1.201)	24.5(.965)	9
9-12	32.0(1.260)	28.4(1.118)	32.5(1.280)	38.5(1.516)	32.5(1.280)	7
13	44.0(1.732)	40.4(1.596)	44.5(1.752)	50.5(1.988)	44.5(1.752)	5

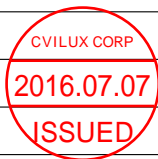


WIDTH : 16.24 mm Carrier

WIDTH : 32.44 mm Carrier

RoHS Compliant

SYM	NAME	DATE	REVISIONS	APPROVED BY:	DATE	UNIT: mm / inch	TITLE: 1.50MM(.059") Right Angle SMT Type Header	MATERIAL:	FINISH:	DRAWING NO. CI1501SJ	PART NO. CI15**M1H*0	SCALE	SHEET 2 OF 2

  
 2016.07.07  
 ISSUED


 瀚荃股份有限公司  
 CviLux Corporation