

**Material:**

Base: High temperature plastic UL 94V-0, Color Nature

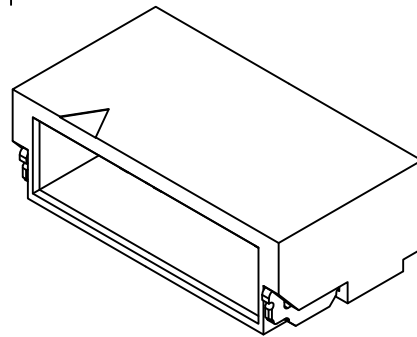
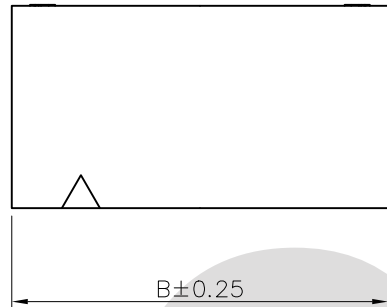
Contact: Copper alloy

Tab: Copper alloy with Matte Tin plated

**Ordering Code:**

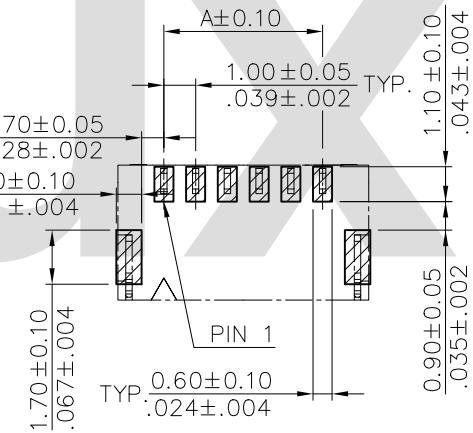
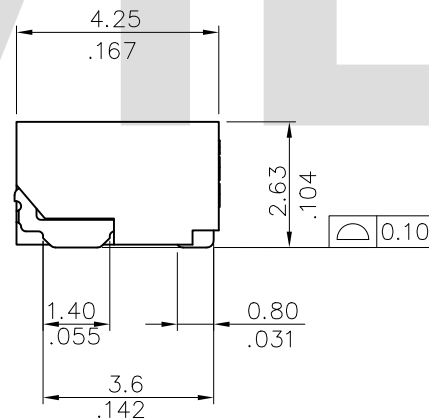
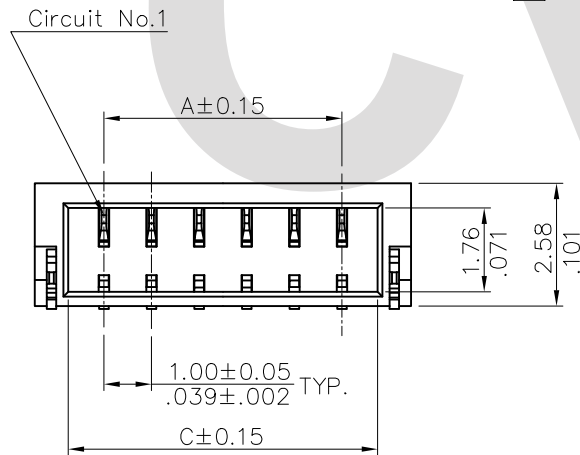
CI14 \*\* M 1 H R C - NH  
 ① ② ③ ④ ⑤ ⑥ ⑦ ⑧

- ① Series No.
- ② No. of Circuits: 02 ~ 20 Pin
- ③ M= SMT type header
- ④ Plating: 1= 3.05um(120u") ~ 4.88um(192u")  
Matte Tin over 1.27um(50u") Nickel
- ⑤ Type: H= Side Entry
- ⑥ Packing Options: R= Tape & Reel packing
- ⑦ Option: C= Amend Shorten Type
- ⑧ Other option:  
-NH= For Lead Free IR Processes and Halogen-Free



DIM. A = 1.00 x NO. OF SPACES  
 DIM. B = DIM. A + 2.90  
 DIM. C = DIM. A + 1.50

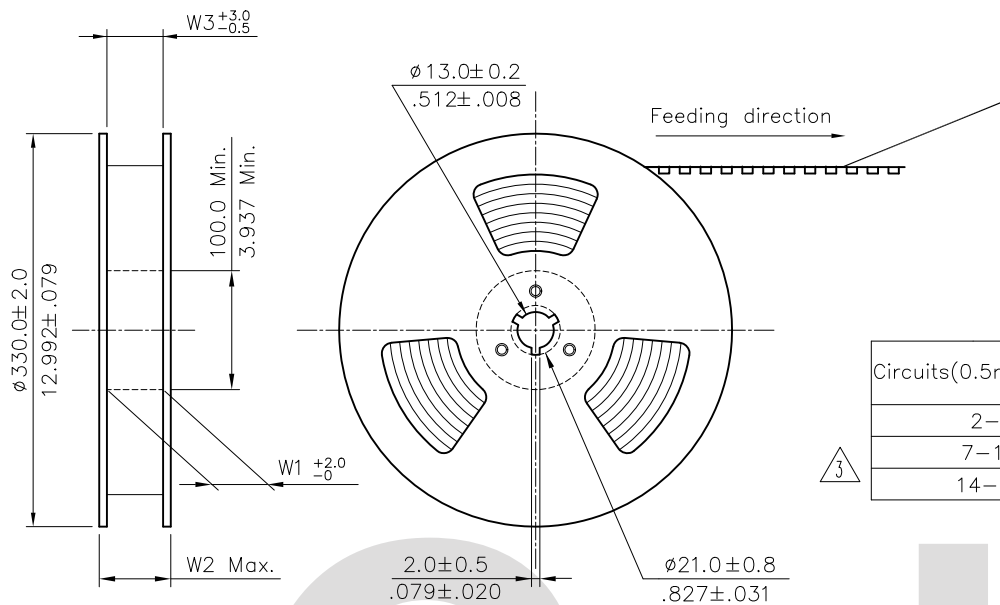
② \* AVAILABLE IN 2 THROUGH 20



**Recommended  
P.C. Board Layout**

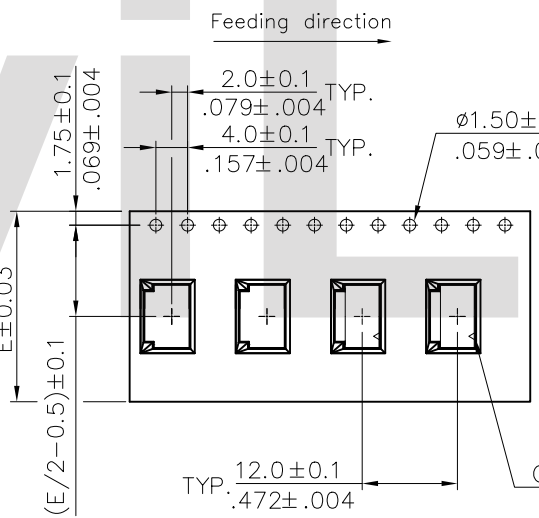
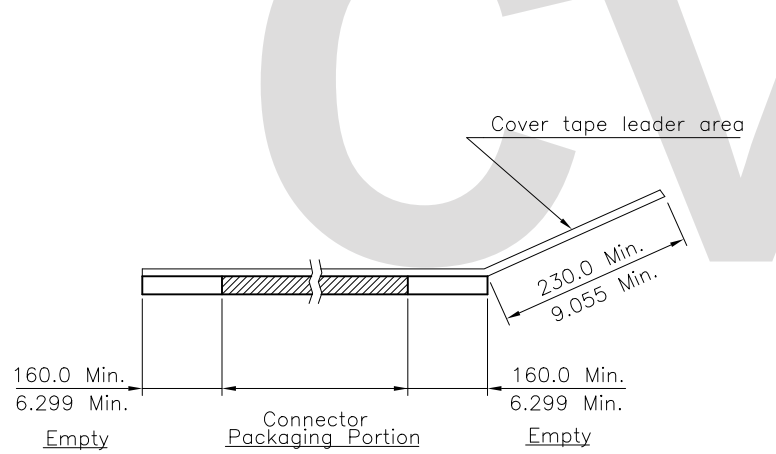
**Halogen-Free**    **Lead Free Process**    **RoHS compliant**

④						DATE	UNIT: mm / inch	TITLE: 1.00MM(.039")	瀚荃股份有限公司 CviLux Corporation
③	Ellie	6/3-15'	ECNT115129/ECRH115027	2015.06.11	DRAWN BY: Ellie	6/3-15'	TOLERANCE UNLESS OTHERWISE SPECIFIED	WIRE TO BOARD CONNECTOR	
②	Sandy	2/7-12'	ECN12019	ISSUED	ENGINEER: Sun	6/4-15'	.X ± 0.25/.010    .X' ± r'	MATERIAL:	
①	Tim	9/30-10'	ECN10327-0		CHECKED BY: Eisley	6/4-15'	.XX ± 0.15/.006    .X ±	CUSTOMER:	
SYM	NAME	DATE	REVISIONS		APPROVED BY: Eisley	6/4-15'	.XXX ± 0.08/.003    .XX ±		DRAWING NO. CI1429SC    PART NO. CI14**M1HRC-NH SCALE 6 / 1    SHEET 1 OF 2

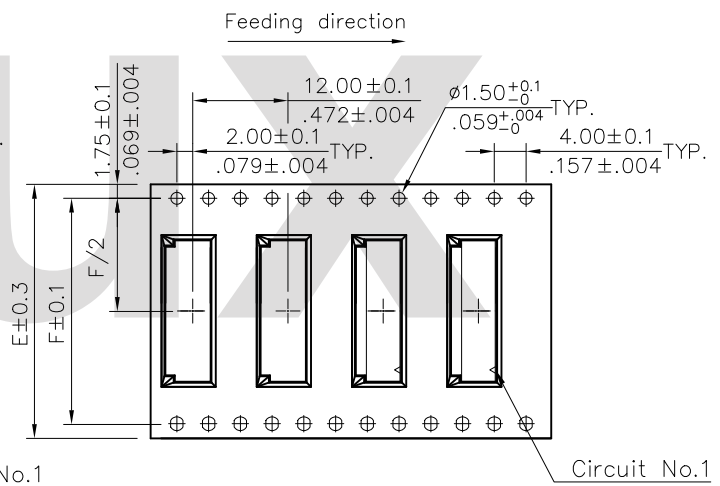


- NOTES:
1. 10 sprocket hole pitch cumulative tolerance  $\pm 0.20$
  2. Carrier camber is within 1 mm in 250 mm.
  3. Material :Transparent ps.
  4. All dimensions meet EIA-481-B requirements.
  5. Thickness :  $0.35 \pm 0.05$ mm.
  6. Packing length per 22" Reel : 67.2 Meters.
  7. Component load per 13" Reel : 1800 pcs.

Circuits(0.5mm Pitch)	Dimension					Packing (Reel/Caton)
	E	F	W1	W2	W3	
2-6	16.0(.630)	—	16.5(.650)	22.5(.885)	16.5(.650)	11
7-13	24.0(.945)	—	24.5(.965)	30.5(1.200)	24.5(.965)	9
14-20	32.0(1.260)	28.40(1.118)	32.5(1.280)	38.5(1.516)	32.5(1.280)	7



WIDTH : 16,24 mm Carrier



WIDTH : 32 mm Carrier

RoHS Compliant

SYM	NAME	DATE	REVISIONS	APPROVED BY:	DATE	UNIT: mm / inch	TITLE: 1.00MM(.039") WIRE TO BOARD CONNECTOR	MATERIAL:	CUSTOMER:	DRAWING NO. CI1429SC	PART NO. CI14**M1HRC-NH	SCALE	SHEET 2 OF 2
4													
3	Ellie	6/3-15'	ECNT115129/ECRH115027	2015.06.11	2015.06.11	DRAWN BY: Ellie	6/3-15'	TOLERANCE UNLESS OTHERWISE SPECIFIED					
2	Sandy	2/7-12'	ECN12019	ISSUED	2015.06.11	ENGINEER: Sun	6/4-15'	.X ±	X' ±				
1	Tim	9/30-10'	ECN10327-0			CHECKED BY: Eisley	6/4-15'	.XX ±	.X ±				
						APPROVED BY: Eisley	6/4-15'	.XXX ±	.XX ±				

瀚荃股份有限公司  
CviLux Corporation