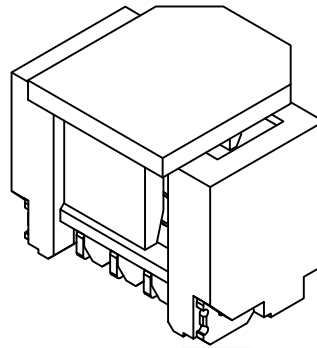
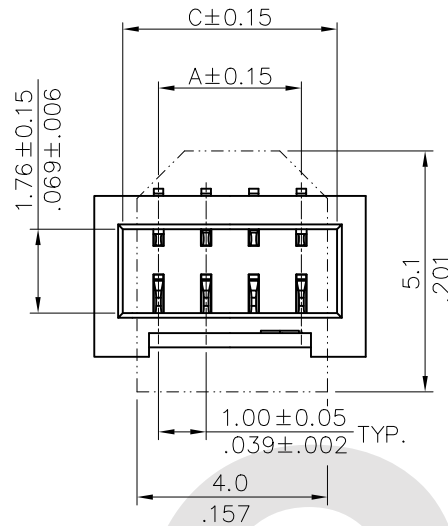


Material:

Base: High temperature plastic UL 94V-0, Color Nature

Contact: Copper alloy

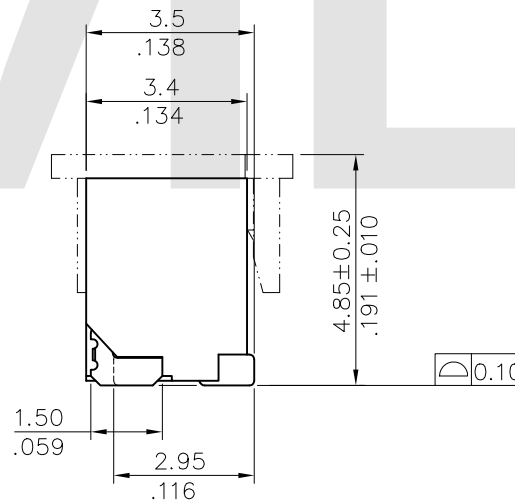
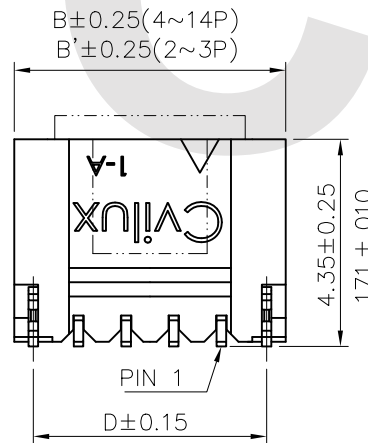
Tab: Copper alloy with Matte Tin plated



Ordering Code:

CI14 \*\* M 1 V L 0 - NH  
 ① ② ③ ④ ⑤ ⑥ ⑦ ⑧

- ① Series No.
- △② No. of Circuits: 02~12,14 Pin
- ③ M= SMT type header
- ④ Plating: 1= 3.05um(120u") ~ 4.88um(192u")  
Matte Tin over 1.27um(50u") Nickel
- ⑤ Type: V= Vertical Type
- ⑥ Packing Options: L= Latch Type
- ⑦ Option: 0= Standard
- ⑧ Other option:  
-NH= For Lead Free IR Processes and Halogen-Free



DIM. A = 1.00 x NO. OF SPACES  
 DIM. B = DIM. A + 2.70  
 △ DIM. B' = DIM. A + 2.90  
 DIM. C = DIM. A + 1.50  
 DIM. D = DIM. A + 2.00  
 DIM. E = DIM. A + 2.70

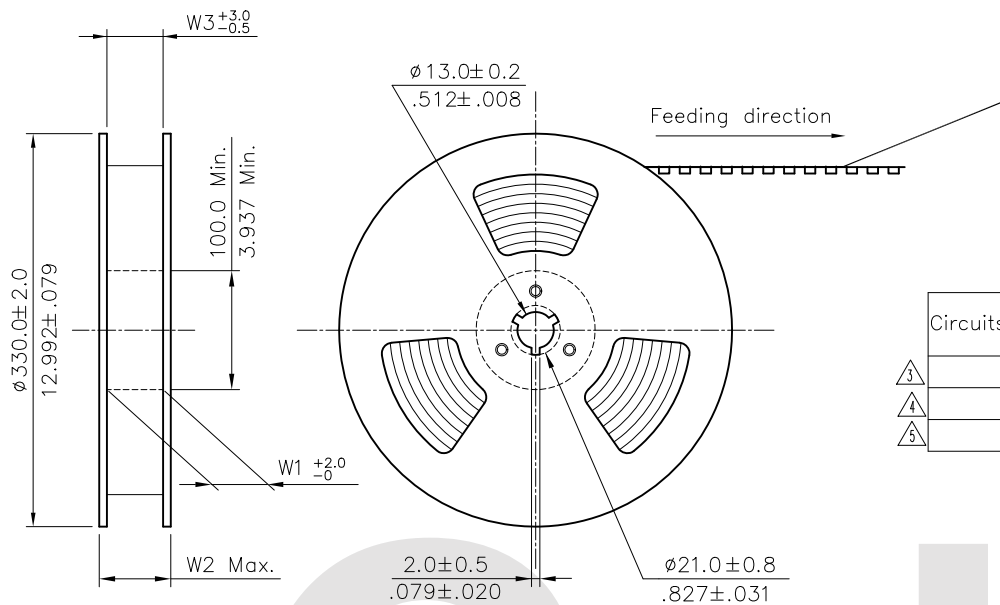
△△ \* AVAILABLE IN 2 THROUGH 12,14

CVILUX CORP  
 2016.12.08  
 ISSUED

Halogen-Free
Lead Free Process
RoHS compliant

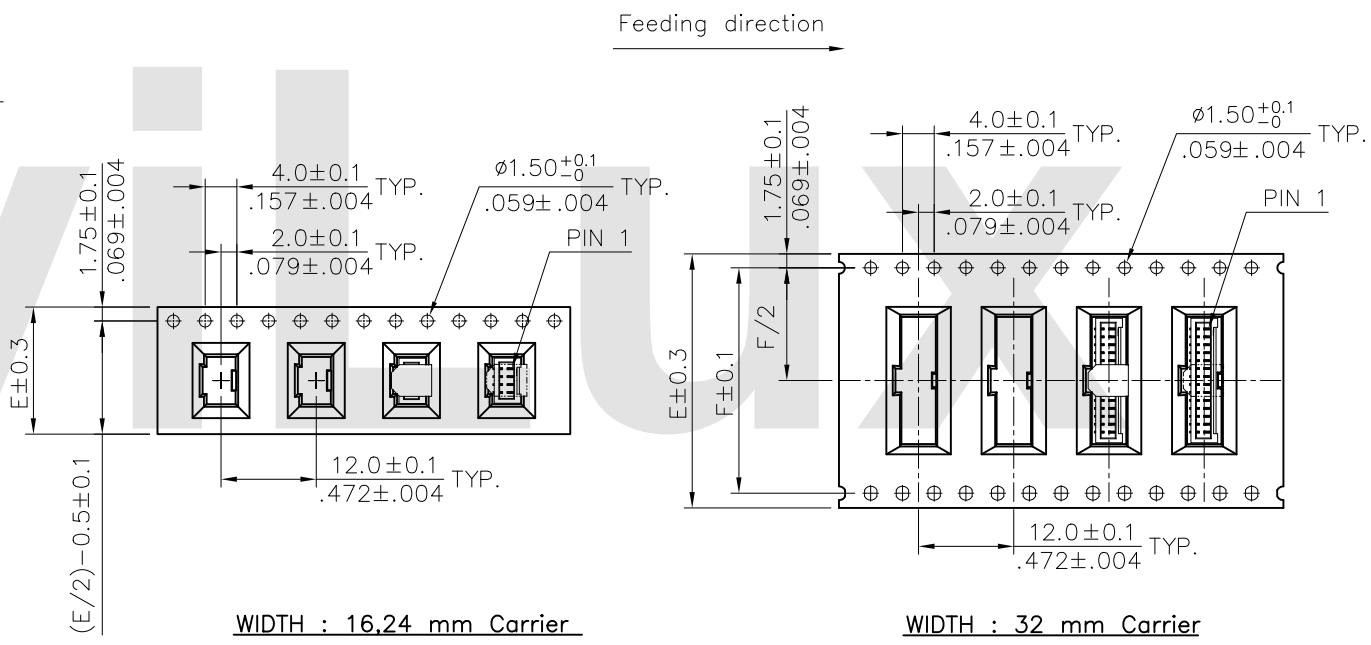
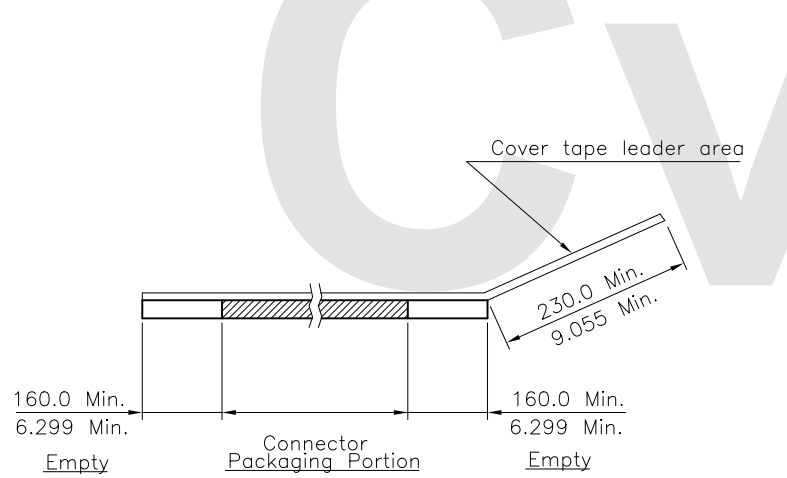
△5	Karen	11/24-16'	ECNT116294		DATE	UNIT: mm / inch	TITLE: 1.00MM(.039") WIRE TO BOARD CONNECTOR	瀚荃股份有限公司 CviLux Corporation
△4	Ellie	6/3-15'	ECNT115129/ECRH115027	DRAWN BY: Karen	11/25-16'	TOLERANCE UNLESS OTHERWISE SPECIFIED	MATERIAL:	
△3	Sun	10/23-14'	ECNT114239	ENGINEER: Sun	11/28-16'	.X ± 0.25/.010    X' ± r'	FINISH:	
△2	Sun	8/09-13'	ECNT113030	CHECKED BY: Eisley	12/01-16'	.XX ± 0.15/.006    .X ±	DRAWING NO. CI1423SE    PART NO. CI14**M1VLO-NH	
SYM	NAME	DATE	REVISIONS	APPROVED BY: Eisley	12/01-16'	.XXX ± 0.08/.003    .XX ±	SCALE 6 / 1    SHEET 1 OF 3	





- NOTES:
1. 10 sprocket hole pitch cumulative tolerance  $\pm 0.20$
  2. Carrier camber is within 1 mm in 250 mm.
  3. Material :Transparent ps.
  4. All dimensions meet EIA-481-B requirements.
  5. Thickness :  $0.35 \pm 0.05$ mm.
  6. Component load per 13" Reel : 1000 pcs.

Circuits(0.5mm Pitch)	Dimension					Packing (Reel/Caton)
	E	F	W1	W2	W3	
2-5	16.0(.630)	—	16.5(.650)	22.5(.885)	16.5(.650)	11
6-12	24.0(.945)	—	24.5(.965)	30.5(1.200)	24.5(.965)	9
14	32.0(1.260)	28.40(1.118)	32.5(1.280)	38.5(1.516)	32.5(1.280)	7



RoHS Compliant

CVILUX CORP  
2016.12.08  
ISSUED

SYM	NAME	DATE	REVISIONS	APPROVED BY:	DATE	UNIT: mm / inch	TITLE: 1.00MM(.039") WIRE TO BOARD CONNECTOR	MATERIAL:	FINISH:	DRAWING NO. CI1423SE	PART NO. CI14**M1VLO-NH	SCALE	SHEET 3 OF 3
5	Karen	11/24-16'	ECNT116294		DATE	UNIT: mm / inch	TITLE: 1.00MM(.039") WIRE TO BOARD CONNECTOR						
4	Ellie	6/3-15'	ECNT115129/ECRH115027	DRAWN BY: Karen	11/25-16'								
3	Sun	10/23-14'	ECNT114239	ENGINEER: Sun	11/28-16'								
2	Sun	8/09-13'	ECNT113030	CHECKED BY: Eisley	12/01-16'								
				APPROVED BY: Eisley	12/01-16'								

瀚荃股份有限公司  
CviLux Corporation