

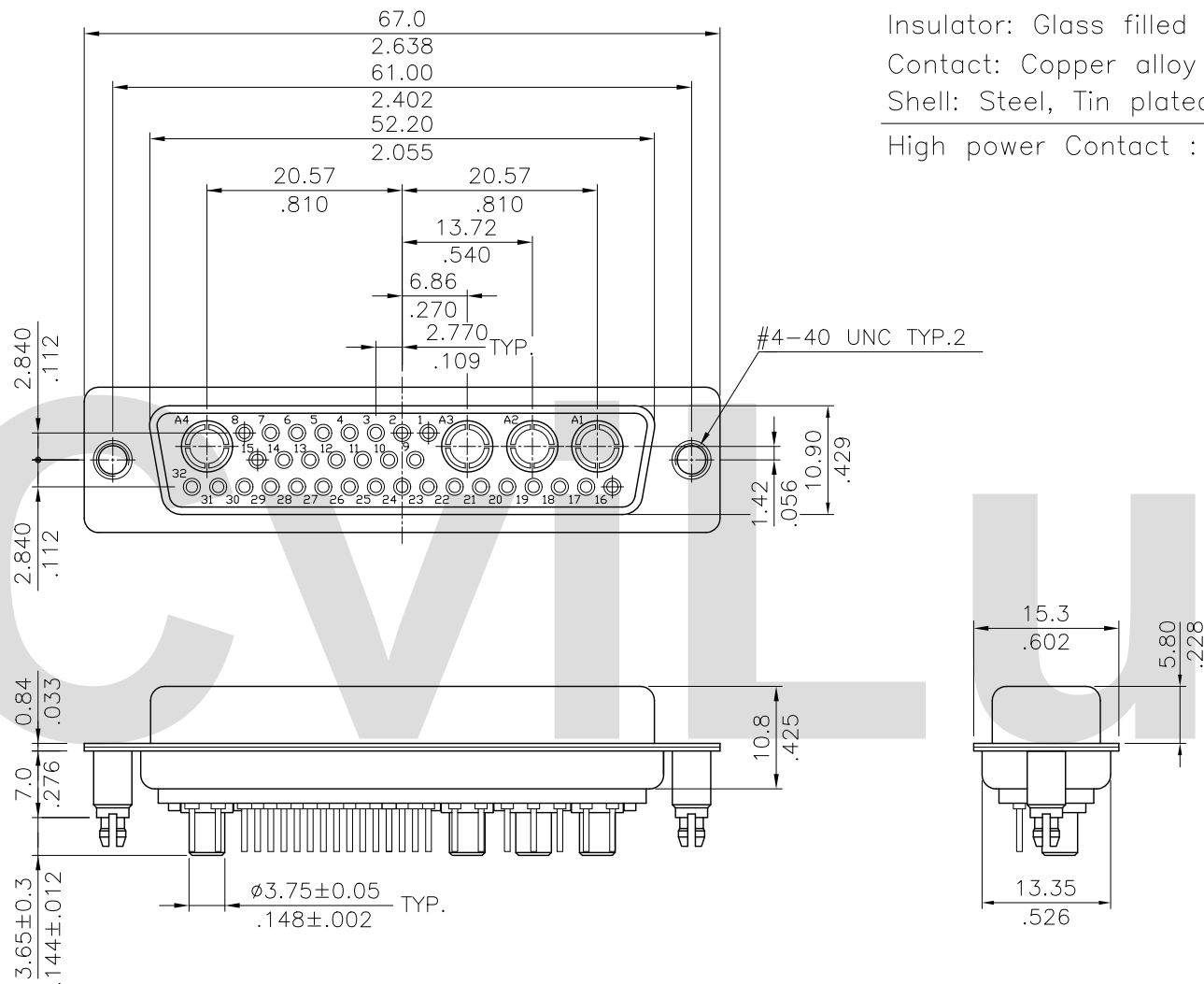
Material:

Insulator: Glass filled Polyester UL 94V-0

Contact: Copper alloy

Shell: Steel, Tin plated as standard

High power Contact : Brass with Gold plated



Lead Free Process

RoHS Compliant

CVILUX CORP  
2010.03.23  
ISSUED

4					DATE	UNIT: mm / inch	TITLE: 36W4 40A HIGH POWER FEMALE D-SUB CONNECTOR (TOP ENTRY BOARD MOUNT TYPE)
3				DRAWN BY: Karen	2/26-10'	TOLERANCE UNLESS OTHERWISE SPECIFIED	
2				ENGINEER: Eisley	3/2-10'	.X ±0.30/.012 X: ± 1'	MATERIAL:
1	Karen	2/26-10'	ECN10040	CHECKED BY: David	3/2-10'	.XX ±0.20/.008 X: ±	
SYM	NAME	DATE	REVISIONS	APPROVED BY: David	3/2-10'	.XXX ±0.10/.004 XX: ±	FINISH:

瀚荃股份有限公司  
CviLux Corporation

DRAWING NO.	36W408SC	PART NO.	36W4SPV***40*00
SCALE	2 / 1	SHEET	1 OF 2

# Ordering Code

36W4 S P V 3 2 1 40 D00  
 ① ② ③ ④ ⑤ ⑥ ⑦ ⑧ ⑨

- ① Series No.
- ② Connector Type: S= Receptacle
- ③ Contact type: P= High Power Contact
- ④ Contact tail style: V= Straight Dip type
- ⑤ High power contact plating:

2= Gold flash plated over Nickel  
 3= 15μ" Gold plated over Nickel  
 4= 30μ" Gold plated over Nickel  
 5= 50μ" Gold plated over Nickel

- ⑥ Signal contact plating:

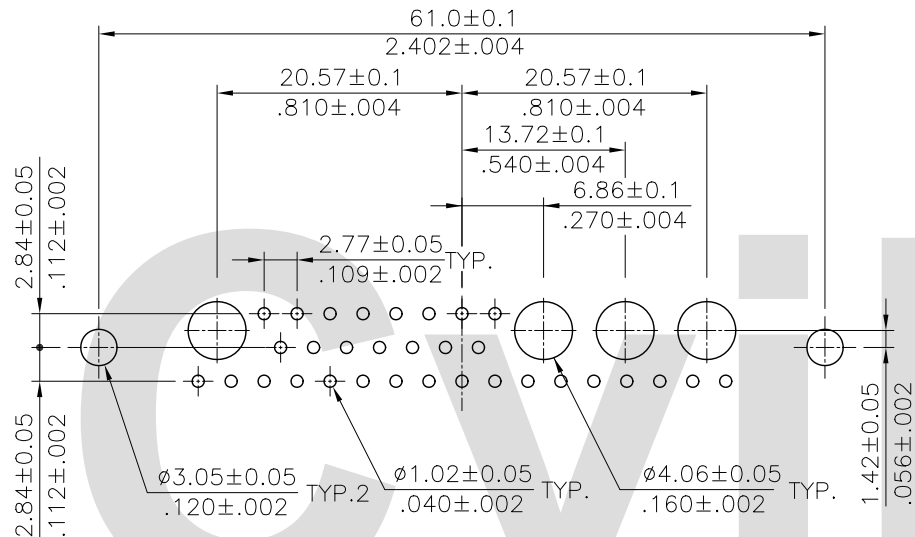
2= Gold flash plated over Nickel  
 3= 15μ" Gold plated over Nickel  
 4= 30μ" Gold plated over Nickel

- ⑦ Insulator color: 1= Black, 6= Green

- ⑧ Performance: 40= 40A

- ⑨ Mounting Style:

000= With ø3.05mm holes on shell  
 B00= Riveted #4-40 UNC open nuts on front shell  
 C00= Riveted #4-40 UNC open nuts on rear shell  
 D00= Riveted #4-40 UNC ground stand-off on rear shell(standard)



△ Recommended P.C Board Layout

Mounting Style		Lead Free Process		RoHS Compliant			
Code	000	Code	B00	Code	C00	Code	D00
			DIM. L= 4.0mm 		DIM. L= 4.0mm 		DIM. L= 7.0mm 

④						DATE	UNIT: mm / inch	TITLE: 36W4 40A HIGH POWER FEMALE D-SUB CONNECTOR (TOP ENTRY BOARD MOUNT TYPE)	瀚荃股份有限公司 CviLux Corporation
③					DRAWN BY: Karen	2/26-10'	TOLERANCE UNLESS OTHERWISE SPECIFIED	MATERIAL:	
②					ENGINEER: Easley	3/2-10'	.X ±0.30/.012    .X' ± 1'	FINISH:	
①	Karen	2/26-10'	ECN10040		CHECKED BY: David	3/2-10'	.XX ±0.20/.008    .X' ±		
SYM	NAME	DATE	REVISIONS		APPROVED BY: David	3/2-10'	.XXX ±0.10/.004    .XX' ±		DRAWING NO. 36W408SC    PART NO. 36W4SPV***40*00 SCALE 2 / 1    SHEET 2 OF 2

CVILUX CORP  
 2010.03.23  
 ISSUED