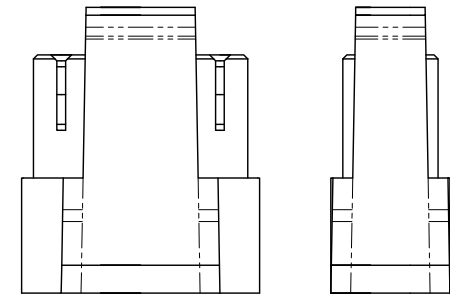


Material:  
 △ NYLON 66 UL 94V-0,  
 Color Nature

### Ordering Code

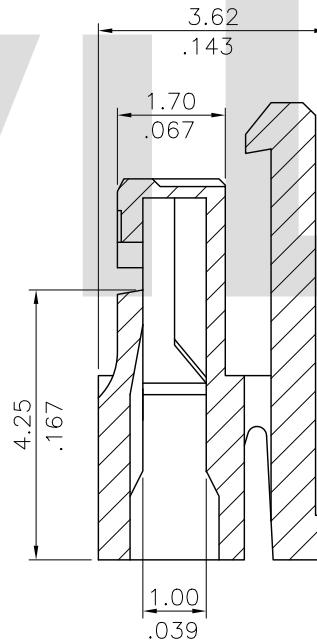
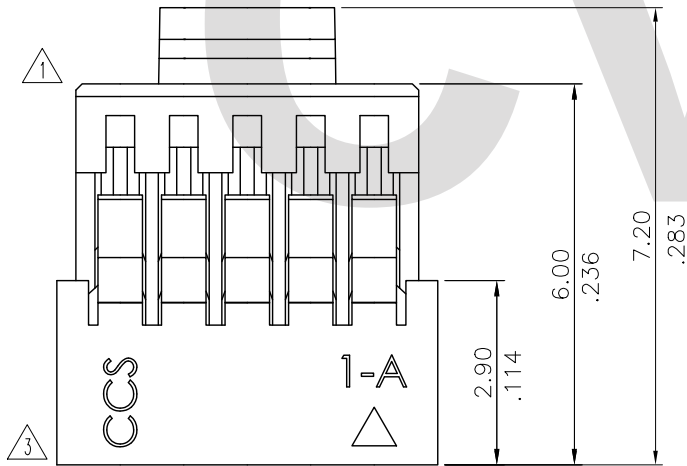
CI14    \*\*    S    L000    - NH  
 ①    ②    ③    ④    ⑤

- ① Series No.
- ② No. of Circuits: 2~20 Pin
- ③ S= Connector housing
- ④ Other option:  
L000= With Locking Latch
- ⑤ Other option:  
-NH= Halogen-Free



FOR 4~20P

FOR 2~3P





BACK VIEW.  
 SCALE: 5/1

DIM. A = 1.00 x NO. OF SPACES  
 DIM. B = DIM. A + 2.00  
 DIM. C = DIM. A + 1.40

\* AVAILABLE IN 2 THROUGH 20 CIRCUITS

Halogen-Free

RoHS Compliant

④				 <b>2011.05.10</b> <b>ISSUED</b>		DATE	UNIT: mm / inch	TITLE:	 瀚荃股份有限公司 CviLux Corporation			
③	Sun	4/01-11'	ECR11003-2/ECN11063		DRAWN BY:	Sun	4/1-11'	TOLERANCE UNLESS OTHERWISE SPECIFIED		MATERIAL:		
②	Tim	12/2-10'	ECN10392		ENGINEER:	Clark	4/7-11'	.X ± 0.25/.010    X' ± 1"		FINISH:		
①	Tim	8/17-10'	ECN10287		CHECKED BY:	Eisley	4/7-11'	.XX ± 0.15/.006    .X' ±	DRAWING NO.	CI1411SD	PART NO.	CI14**SL000-NH
SYM	NAME	DATE	REVISIONS		APPROVED BY:	David	4/7-11'	.XXX ± 0.08/.003    .XX' ±	SCALE	8 / 1	SHEET	1 OF 1