

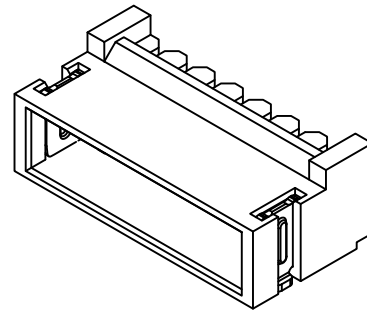
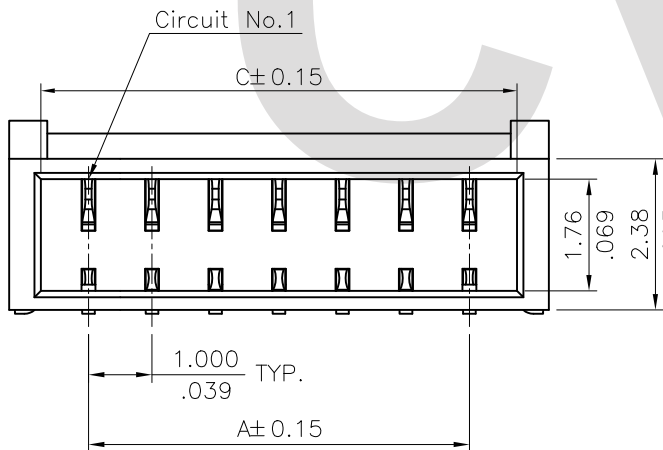
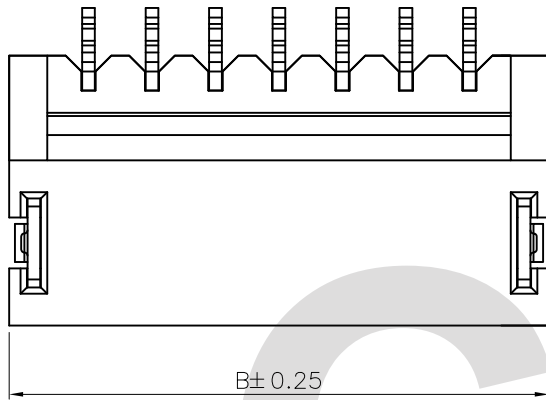
Notes:

Base: High temperature plastic UL 94V-0, Color Nature

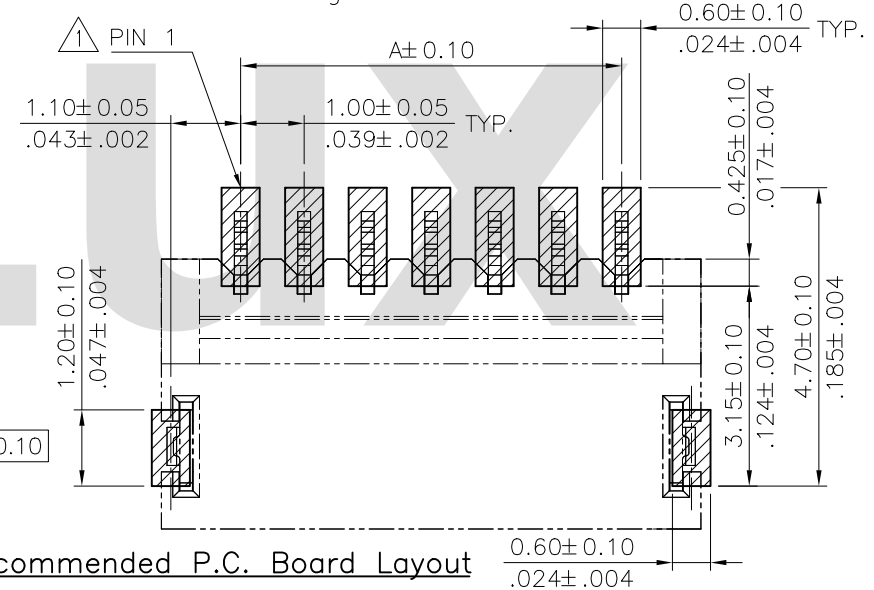
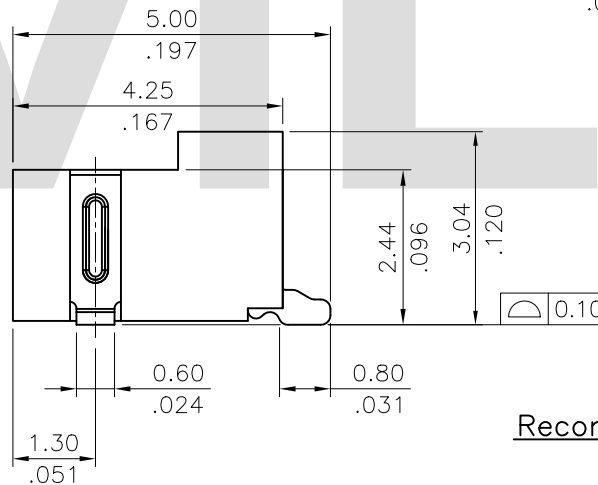
Contact: Copper alloy

Tab: Copper alloy with Matte Tin plated

For Lead Free IR Reflow Processes



DIM. A = 1.00 x NO. OF SPACES
 DIM. B = DIM. A + 2.50
 DIM. C = DIM. A + 1.50
 * AVAILABLE IN 2 THROUGH 20



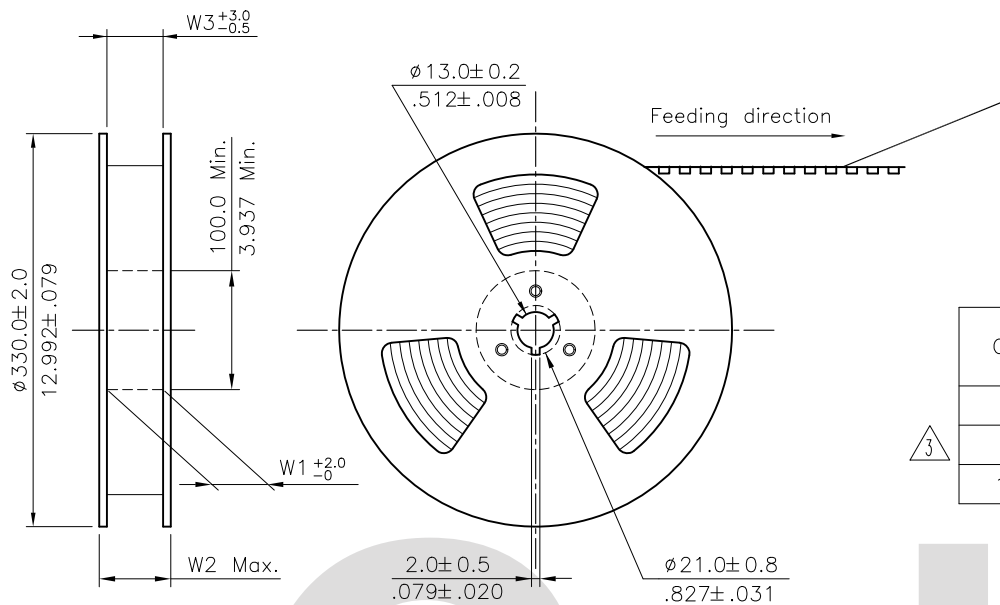
Ordering Code:

CI14 ** M 1 H R L - NH
 ① ② ③ ④ ⑤ ⑥ ⑦ ⑧

- ① Series No.
- ② No. of Circuits: 2~20 Pin
- ③ M= SMT type header
- ④ Plating: 1= 3.05um(120u") ~ 4.88um(192u")
Matte Tin over 1.27um(50u") Nickel
- ⑤ Type: H= Side Entry
- ⑥ Packing Options: R= Tape & Reel packing
- ⑦ Option: L= With Locking Ramp
- ⑧ Other option:
-NH= For Lead Free IR Processes and Halogen-Free

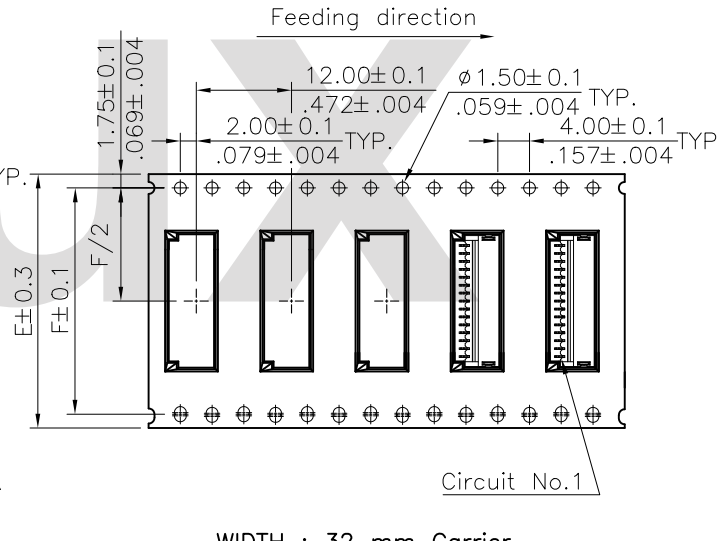
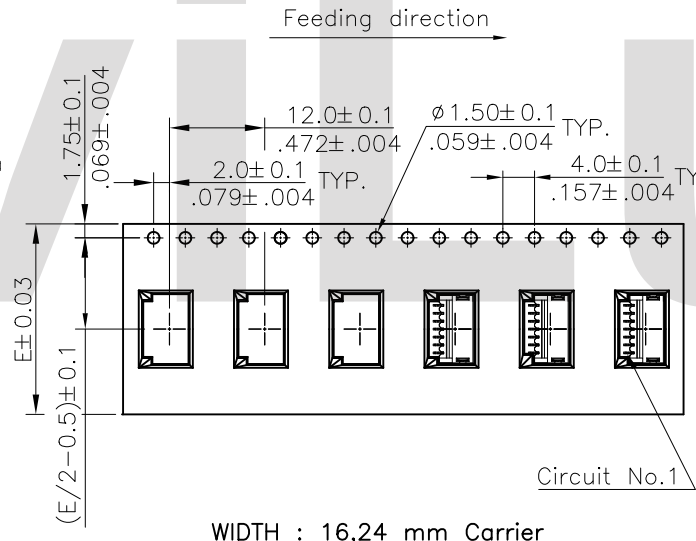
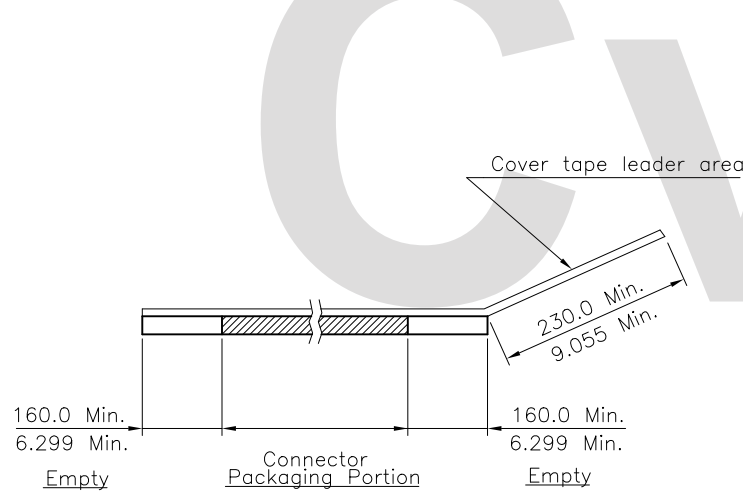
Halogen-Free Lead Free Process RoHS compliant

| | | | | | | | | |
|-----|-------|-----------|-----------------------|-------------|---------------------|-----------------|-------------------------|---|
| ④ | | | | | DATE | UNIT: mm / inch | TITLE: 1.00MM(.079") | 瀚荃股份有限公司 CviLux Corporation |
| ③ | Ellie | 6/3-15' | ECNT115129/ECRH115027 | CVILUX CORP | DRAWN BY: Ellie | 6/3-15' | WIRE TO BOARD CONNECTOR | |
| ② | Tim | 12/20-10' | ECN10402 | 2015.06.11 | ENGINEER: Sun | 6/4-15' | MATERIAL: | DRAWING NO. CI1410SD PART NO. CI14**M1HRL-NH |
| ① | Tim | 10/21-10' | ECN10350 | ISSUED | CHECKED BY: Eisley | 6/4-15' | FINISH: | |
| SYM | NAME | DATE | REVISIONS | | APPROVED BY: Eisley | 6/4-15' | | SCALE 8 / 1 SHEET 1 OF 2 |



- NOTES:
1. 10 sprocket hole pitch cumulative tolerance ± 0.20
 2. Carrier camber is within 1 mm in 250 mm.
 3. Material :Transparent ps.
 4. All dimensions meet EIA-481-B requirements.
 5. Thickness : 0.35 ± 0.05 mm.
 6. Packing length per 22" Reel : 67.2 Meters.
 7. Component load per 13" Reel : 1600 pcs.

| Circuits | Dimension | | | | | Packing (Reel/Carton) |
|----------|-------------|--------------|-------------|-------------|-------------|-----------------------|
| | E | F | W1 | W2 | W3 | |
| 2-4 | 16.0(.630) | - | 16.5(.650) | 22.5(.886) | 16.5(.650) | 11 |
| 5-13 | 24.0(.945) | - | 24.5(.965) | 30.5(1.200) | 24.5(.965) | 9 |
| 14-20 | 32.0(1.260) | 28.40(1.118) | 32.5(1.280) | 38.5(1.516) | 32.5(1.280) | 7 |



WIDTH : 16.24 mm Carrier

WIDTH : 32 mm Carrier

RoHS Compliant

| SYM | NAME | DATE | REVISIONS | APPROVED BY: | DATE | UNIT: mm / inch | TITLE: 1.00MM(.039") WIRE TO BOARD CONNECTOR | MATERIAL: | CUSTOMER: | DRAWING NO. CI1410SD | PART NO. CI14**M1HRL-NH | SCALE | SHEET 2 OF 2 |
|-----|-------|-----------|-----------------------|---------------------|---------|--------------------------------------|--|-----------|-----------|----------------------|-------------------------|-------|--------------|
| 4 | | | | | | | | | | | | | |
| 3 | Ellie | 6/3-15' | ECNT115129/ECRH115027 | DRAWN BY: Ellie | 6/3-15' | TOLERANCE UNLESS OTHERWISE SPECIFIED | | | | | | | |
| 2 | Tim | 12/20-10' | ECN10402 | ENGINEER: Sun | 6/4-15' | .X ± | X' ± " | | | | | | |
| 1 | Tim | 10/21-10' | ECN10350 | CHECKED BY: Eisley | 6/4-15' | .XX ± | .X ± | | | | | | |
| | | | | APPROVED BY: Eisley | 6/4-15' | .XXX ± | .XX ± | | | | | | |

CVILUX CORP
2015.06.11
ISSUED

瀚荃股份有限公司
CviLux Corporation