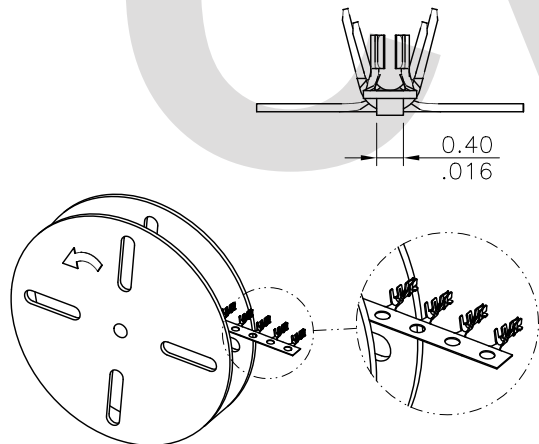


Wire Range	Insulation Diameter	Reel Q'ty
AWG #28~#32	0.65~0.92(mm)	16,000 PCS.

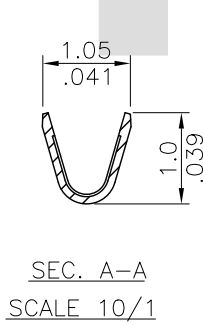
Ordering Code:

CI14 T01 1 P E 0
 ① ② ③ ④ ⑤ ⑥

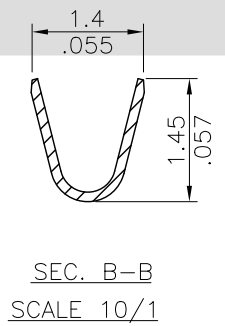
- ① Series No.
- ② Type: T01= AWG #28~ #32
- ③ Plating: 1= Tin Plated over Cu
- ④ Material: P= Phosphor Bronze
- ⑤ Plating method: E= Pre-tinned
- ⑥ Option: 0= Standard



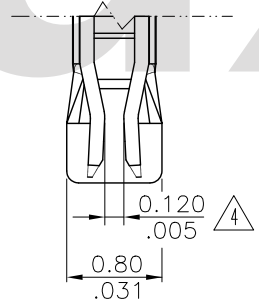
電鍍後捲料方向



SEC. A-A
SCALE 10/1





SEC. B-B
SCALE 10/1



DETAIL C
SCALE: 15/1

RoHS Compliant

④	Tim	05/10-10'	ECN10155	 2010.06.01 ISSUED		DATE	UNIT: mm / inch	TITLE: FOR CI14 SERIES CRIMP TERMINAL	 瀚荃股份有限公司 CviLux Corporation	
③	Eager	09/03-09'	ECN09452		DRAWN BY: Tim	5/10-10'	TOLERANCE UNLESS OTHERWISE SPECIFIED	MATERIAL:		DRAWING NO. CI1403SC
②	Eager	06/18-09'	ECN09310		ENGINEER: Clark	5/10-10'	.X ± 0.25/010 X: ± 1'	FINISH:		PART NO. CI14T011PEO
①	Eager	06/05-09'	Change Plating Method		CHECKED BY: David	5/10-10'	.XX ± 0.15/006 X: ±		SCALE 8 / 1	
SYM	NAME	DATE	REVISIONS		APPROVED BY: Alex	5/10-10'	.XXX ± 0.05/002 X: ±		SHEET 1 OF 1	