

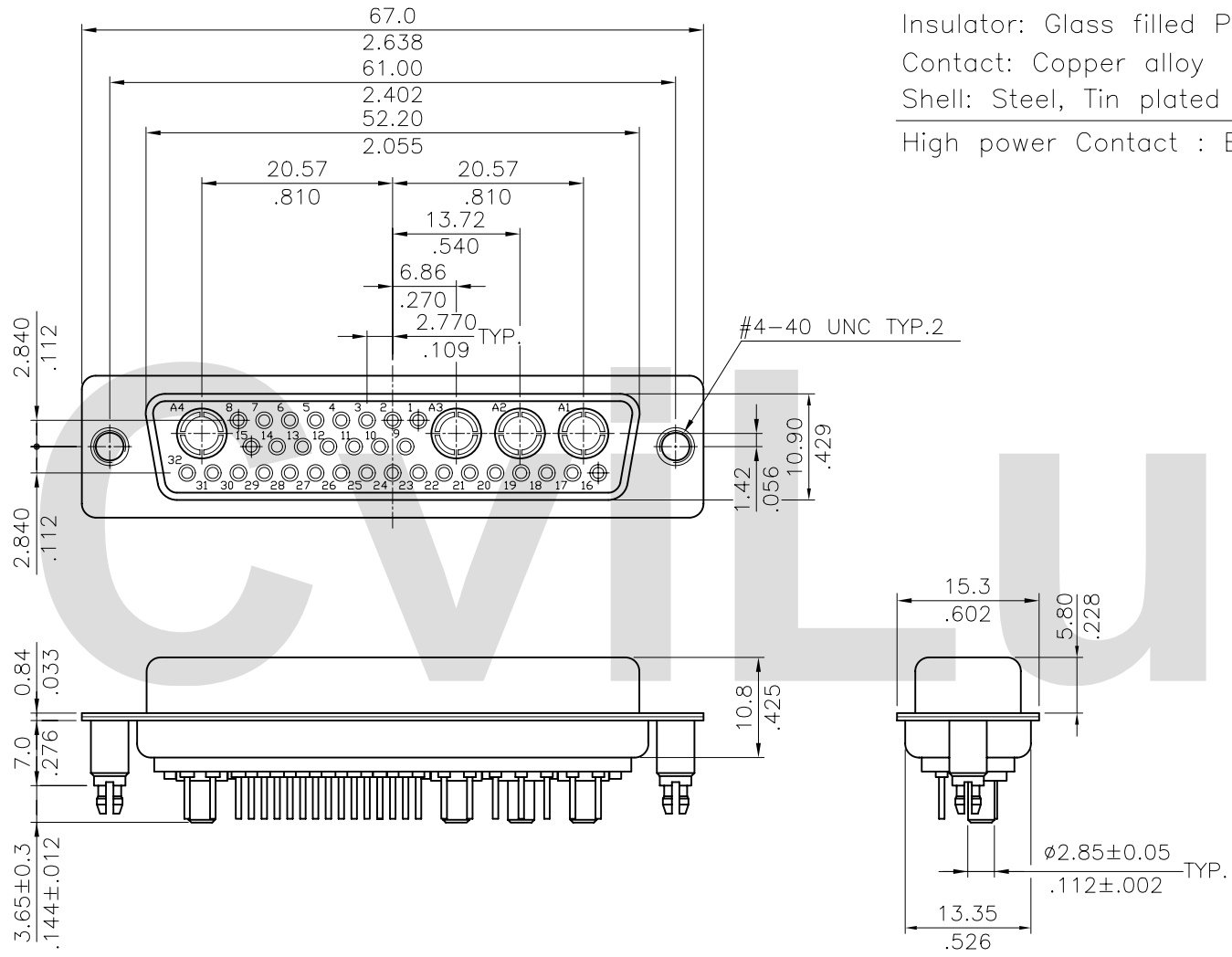
Material:

Insulator: Glass filled Polyester UL 94V-0



Contact: Copper alloy

Shell: Steel, Tin plated as standard

High power Contact : Brass with Gold plated



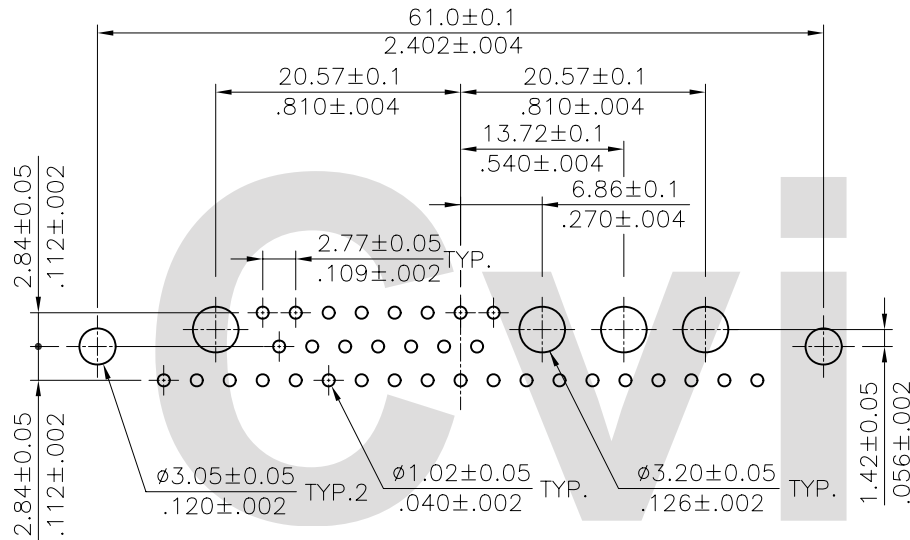
RoHS Compliant

4					DATE	UNIT: mm / inch	TITLE: 36W4 20A HIGH POWER FEMALE D-SUB CONNECTOR (TOP ENTRY BOARD MOUNT TYPE)	 瀚荃股份有限公司 CviLux Corporation	
3				DRAWN BY: Rita	10/18-01'	TOLERANCE UNLESS OTHERWISE SPECIFIED			
2				ENGINEER: David	10/18-01'	.X ±0.30/.012 .X' ± 1'	MATERIAL:	DRAWING NO. 36W406SB	PART NO. 36W4SPV***20*00
1				CHECKED BY: David	10/18-01'	.XX ±0.20/.008 .X' ±	FINISH:	SCALE 2 / 1	SHEET 1 OF 2
SYM	NAME	DATE	REVISIONS	APPROVED BY: Alex	10/18-01'	.XXX ±0.10/.004 .XX' ±			

Ordering Code

36W4 S P V 3 2 1 20 D00
 ① ② ③ ④ ⑤ ⑥ ⑦ ⑧ ⑨

- ① Series No.
- ② Connector Type: S= Receptacle
- ③ Contact type: P= High Power Contact
- ④ Contact tail style: V= Straight Dip type
- ⑤ High power contact plating:
 - 2= Gold flash plated over Nickel
 - 3= 15 μ " Gold plated over Nickel
 - 4= 30 μ " Gold plated over Nickel
 - 5= 50 μ " Gold plated over Nickel
- ⑥ Signal contact plating:
 - 2= Gold flash plated over Nickel
 - 3= 15 μ " Gold plated over Nickel
 - 4= 30 μ " Gold plated over Nickel
- ⑦ Insulator color: 1= Black, 6= Green
- ⑧ Performance: 20= 20A
- ⑨ Mounting Style:
 - 000= With ϕ 3.05mm holes on shell
 - B00= Riveted #4-40 UNC open nuts on front shell
 - C00= Riveted #4-40 UNC open nuts on rear shell
 - D00= Riveted #4-40 UNC ground stand-off on rear shell(standard)



Recommended P.C Board Layout

Mounting Style				RoHS Compliant			
Code	000	Code	B00	Code	C00	Code	D00
			DIM. L= 4.0mm		DIM. L= 4.0mm		DIM. L= 7.0mm

4					DATE	UNIT: mm / inch	TITLE: 36W4 20A HIGH POWER FEMALE D-SUB CONNECTOR (TOP ENTRY BOARD MOUNT TYPE)		瀚荃股份有限公司 CviLux Corporation	
3				DRAWN BY: Rita	10/18-01'	TOLERANCE UNLESS OTHERWISE SPECIFIED				
2				ENGINEER: David	10/18-01'	.X ±0.30/.012	.X' ± 1'	DRAWING NO. 36W406SB PART NO. 36W4SPV***20*00		
1				CHECKED BY: David	10/18-01'	.XX ±0.20/.008	.X' ±			SCALE 2 / 1 SHEET 2 OF 2
SYM	NAME	DATE	REVISIONS	APPROVED BY: Alex	10/18-01'	.XXX ±0.10/.004	.XX' ±			