

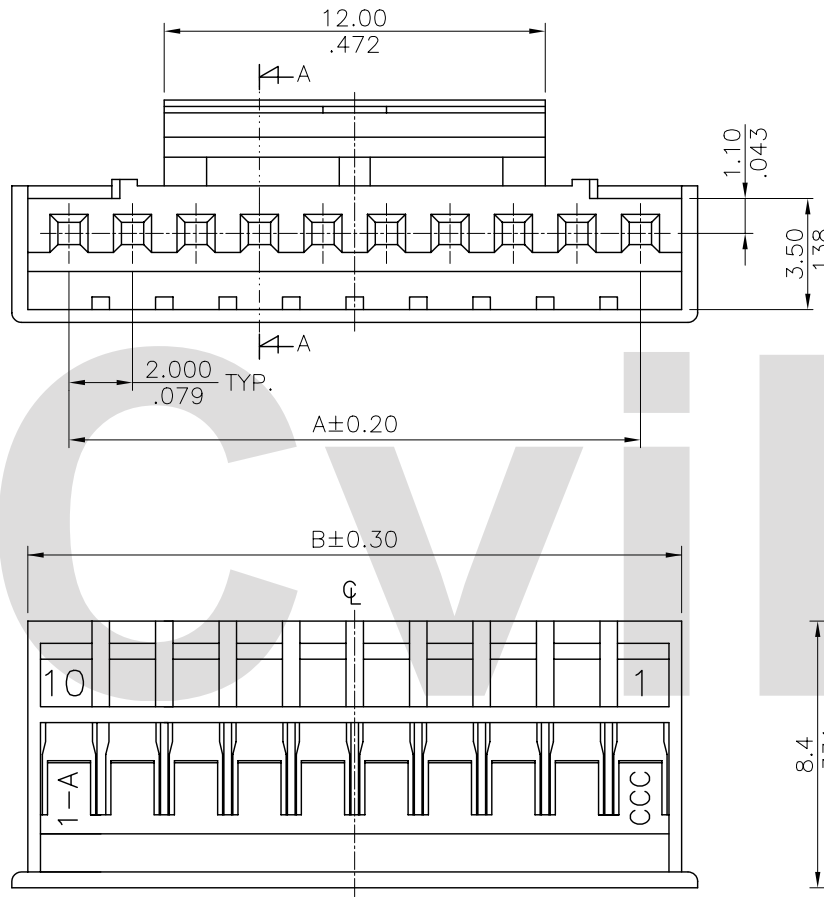
Note:

- * Material: Nylon 66 UL 94V-0
- * Mate crimp terminal P/N: CI06T011PE0

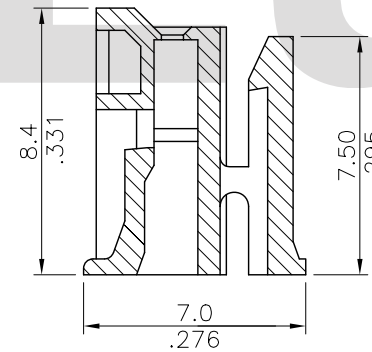
Ordering Code

CI01 ** S 00LO
 ① ② ③ ④

- ① Series No.
- ② No. of Circuits:
- ③ S= Connector housing
- ④ Other option: 00LO= With Latch



Circuits	Dimension	
	A	B
10	18.00(.709)	20.6(.811)
12	22.00(.866)	24.6(.969)
14	26.00(1.024)	28.6(1.126)
16	30.00(1.181)	32.6(1.283)



A-A SEC.

RoHS Compliant

4																			
3																			
2																			
1	Hank	7/25/06'		ECN06255															
SYM	NAME	DATE		REVISIONS															

CIVILUX.CORP
 2006.08.07
 ISSUED

DRAWN BY:	Hank	DATE	08/03-06'
ENGINEER:	Eisley	DATE	08/07-06'
CHECKED BY:	David	DATE	08/07-06'
APPROVED BY:	Alex	DATE	08/07-06'

UNIT:	mm / inch
TOLERANCE UNLESS OTHERWISE SPECIFIED	
.X	± 0.30/012 X' ± 1'
.XX	± 0.20/008 .X' ±
.XXX	± 0.10/004 .XX' ±

TITLE:	2.00MM(.079") CRIMP TERMINAL HOUSING
MATERIAL:	
FINISH:	

DRAWING NO.	CI0177SA	PART NO.	CI01**S00LO
SCALE	4 / 1	SHEET	1 OF 1

瀚荃股份有限公司
CviLux Corporation