

BACK VIEW

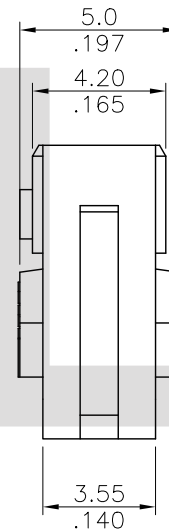
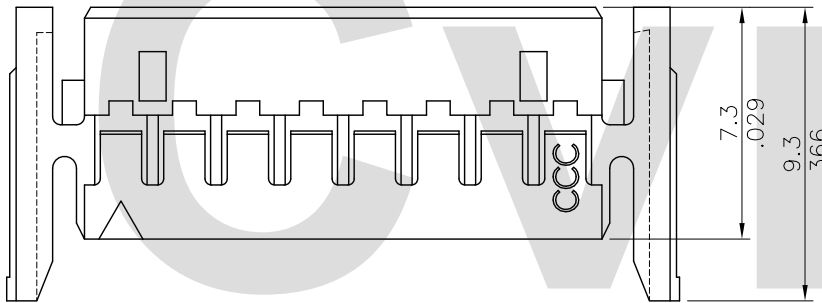
Material:

* Insulation: Nylon 66 UL 94V-0
Color nature

Ordering Code:

CI01 ** S D0 L 0
① ② ③ ④ ⑤ ⑥

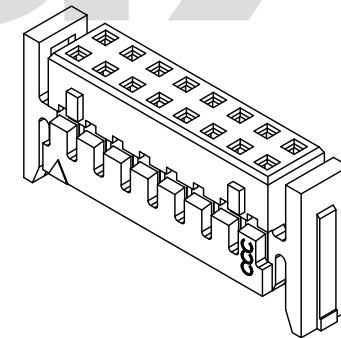
- ① Series No.
- ② No. of Circuits
- ③ Contact type: S= Housing
- ④ Row option: D0= Dual row(standard)
- ⑤ Latch option: L= with Lock Latch
- ⑥ Color option:
0= Nature; 1=Black; 9= Gray




$A = 2.0 \times (\text{No. of Circuits}/2 - 1)$

$B = A + 2.3$

* Available in 6 through 34 circuits



RoHS Compliant

④					DATE	UNIT: mm / inch	TITLE: 2.00mm(.079") CRIMP TERMINAL DUAL ROW HOUSING	 瀚荃股份有限公司 CviLux Corporation
③				DRAWN BY: Sandy	7/14-11'	TOLERANCE UNLESS OTHERWISE SPECIFIED	MATERIAL:	
②				ENGINEER: Eisley	7/21-11'	.X ± 0.30/.012 X' ± 1'	CUSTOMER:	DRAWING NO. CI0162SB PART NO. CI01**SDOL*
①	Sandy	7/14-11'	ECN11153	CHECKED BY: Eisley	7/21-11'	.XX ± 0.20/.008 .X' ±		SCALE 4/1 SHEET 1 OF 1
SYM	NAME	DATE	REVISIONS	APPROVED BY: Alex	7/21-11'	.XXX ± 0.10/.004 .XX' ±		

