

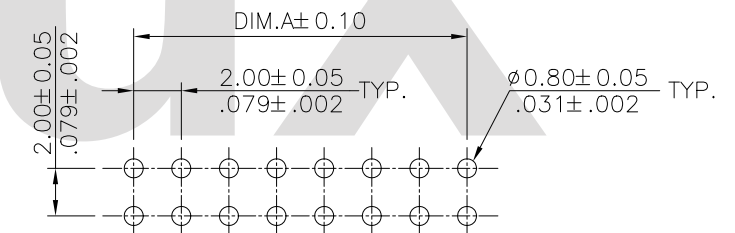
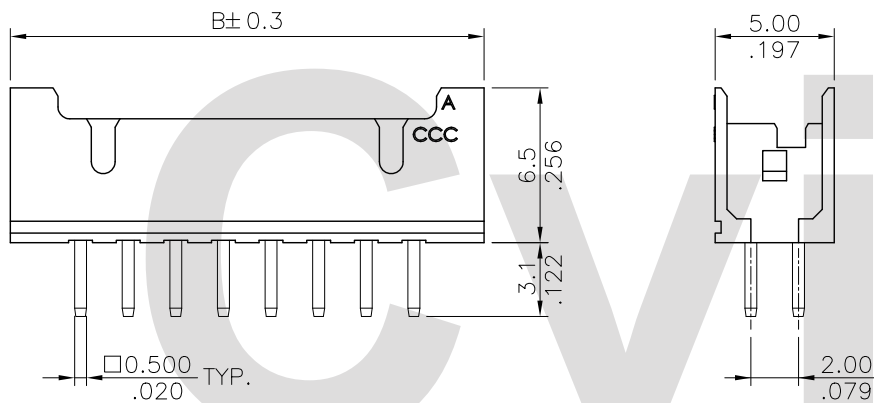
Note:

1. Material:
  - \* Base: Glass filled polyamide UL 94V-0  
Color Nature
  - \* Contact: Brass
- △ 2. For Lead Free Wave Flow Process

### Ordering Code:

$\frac{CI01}{①}$   $\frac{**}{②}$   $\frac{P}{③}$   $\frac{1}{④}$   $\frac{V}{⑤}$   $\frac{D}{⑥}$   $\frac{L}{⑦}$

- ① Series No.
- ② No. of circuits
- ③ Contact type: P= Pin Header
- ④ Plating option:
  - 1= 3.05μm (120u") Tin  
over 0.76μm(30u") Nickel
- ⑤ Type: V= Straight type
- ⑥ Row Option: D= Dual row
- ⑦ Latch option: L= With Locking Latch



Recommended P.C. Board Layout

$A = 2.0 \times (\text{No. of Circuits}/2 - 1)$

$B = A + 5.9$

$C = A + 2.7$

\* Available in 6 through 34 circuits

Lead Free Process

RoHS Compliant

④					DATE	UNIT: mm / inch	TITLE:	瀚荃股份有限公司 CviLux Corporation
③					3/06-13'	TOLERANCE UNLESS OTHERWISE SPECIFIED	2.00mm PIN HEADER DIP TYPE	
②					3/12-13'	.X ± 0.30/012    X' ± 1'	MATERIAL:	DRAWING NO. <b>CI0159SB</b> PART NO. <b>CI01**P1VDL</b>
①	Enya	3/6-13'	ECN13056-0/ECR13007-1	3/12-13'	.XX ± 0.20/008    .X' ±	.XXX ± 0.10/004    .XX' ±	CUSTOMER:	
SYM	NAME	DATE	REVISIONS	APPROVED BY:	David	3/12-13'		

