

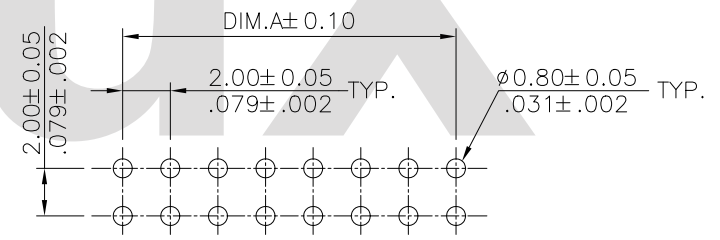
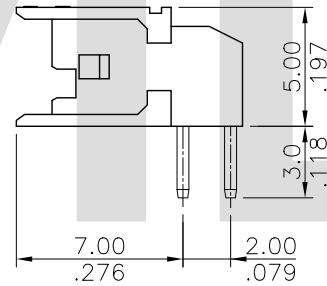
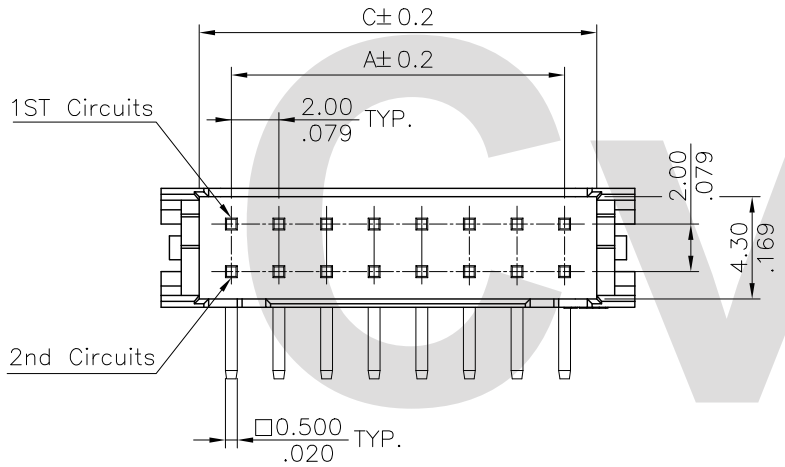
Note:

1. Material:
* Base:
Glass filled polyamide UL 94V-0
Color Nature
- * Contact: Brass
- △ 2. For Lead Free Wave Flow Process

Ordering Code:

$\frac{CI01}{①}$ $\frac{**}{②}$ $\frac{P}{③}$ $\frac{1}{④}$ $\frac{H}{⑤}$ $\frac{D}{⑥}$ $\frac{L}{⑦}$

- ① Series No.
- ② No. of circuits
- ③ Contact type: P= Pin Header
- ④ Plating option:
1= 3.05 μ m (120 μ) Tin
over 0.76 μ m (30 μ) Nickel
- ⑤ Type: H= Right angle type
- ⑥ Row Option: D= Dual row
- ⑦ Latch option: L= With Locking Latch



Recommended P.C. Board Layout

$A = 2.0 \times (\text{No. of Circuits}/2 - 1)$
 $B = A + 5.9$
 $C = A + 2.7$
 * Available in 6 through 34 circuits

Lead Free Process
RoHS Compliant

④					DATE	UNIT: mm / inch	TITLE:	瀚荃股份有限公司 CviLux Corporation
③				DRAWN BY: Enya	3/06-13'	TOLERANCE UNLESS OTHERWISE SPECIFIED	2.00mm PIN HEADER DIP TYPE	
②				ENGINEER: Eisley	3/12-13'	.X ± 0.30/.012 X' ± 1'	MATERIAL:	DRAWING NO. CI0158SB PART NO. CI01**P1HDL
①	Enya	3/6-13'	ECN13056-0/ECR13007-1	CHECKED BY: Eisley	3/12-13'	.XX ± 0.20/.008 .X' ±	CUSTOMER:	
SYM	NAME	DATE	REVISIONS	APPROVED BY: David	3/12-13'	.XXX ± 0.10/.004 .XX' ±		SCALE 3 / 1 SHEET 1 OF 1

