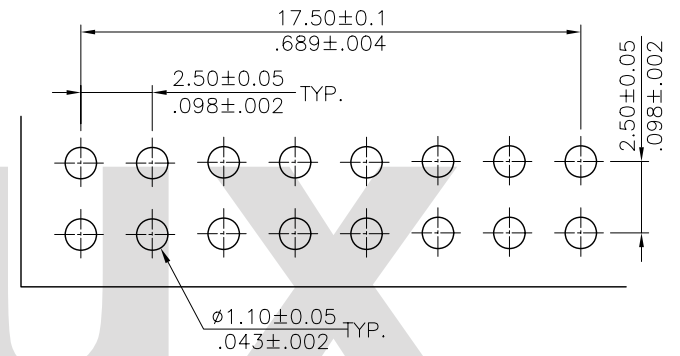
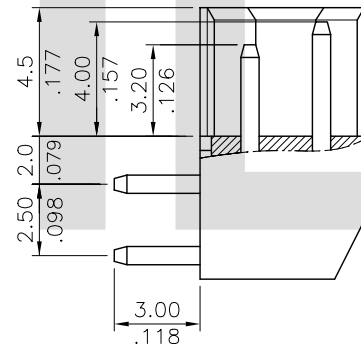
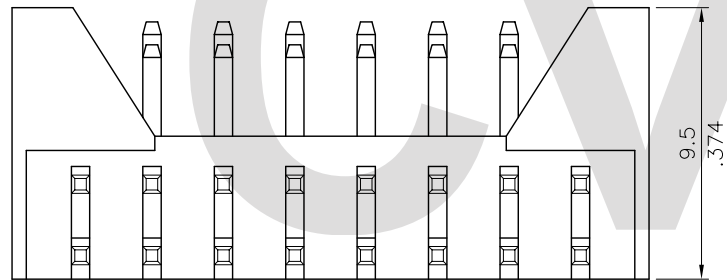
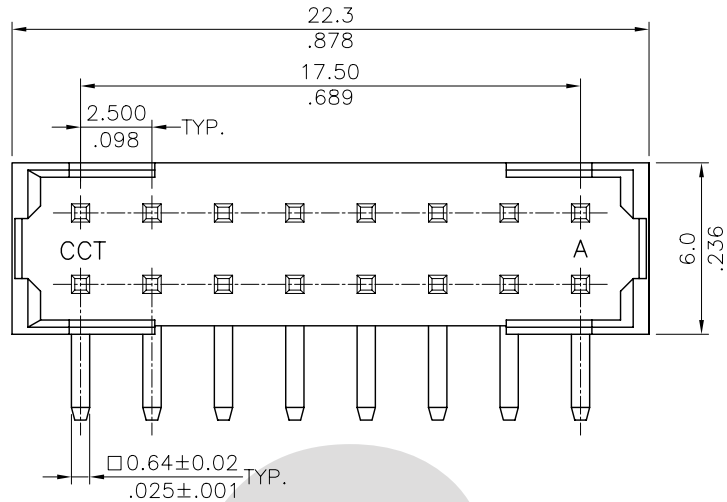


Material:

- \* Insulation: PBT. +30%G.F. UL 94V-0  
Color Black
- \* Contact: Brass
- \* Contact plating: Gold flash plated over  
0.76  $\mu\text{m}$ (30  $\mu\text{m}$ ) Nickel



Recommended P.C. Board Layout

RoHS Compliant

4						DATE	UNIT: mm / inch	TITLE: 2.50MM(.098") DUAL ROW BOARD MOUNT BOX HEADER	瀚荃股份有限公司 CviLux Corporation		
3			DRAWN BY: Sandy		6/23 00"	TOLERANCE UNLESS OTHERWISE SPECIFIED	MATERIAL:	DRAWING NO. CHWG01SC		PART NO. CHWG162H100	
2			ENGINEER: Sandy		6/23 00"	.X $\pm 0.30/012$	.X* $\pm 1'$	FINISH:	SCALE 4 / 1	SHEET 1 OF 1	
1			CHECKED BY: Alex		6/23 00"	.XX $\pm 0.20/008$	.X* $\pm$				
SYM	NAME	DATE	APPROVED BY: Alex		6/23 00"	.XXX $\pm 0.10/004$	.XX* $\pm$				