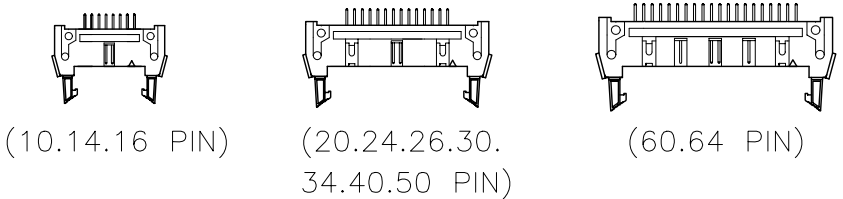
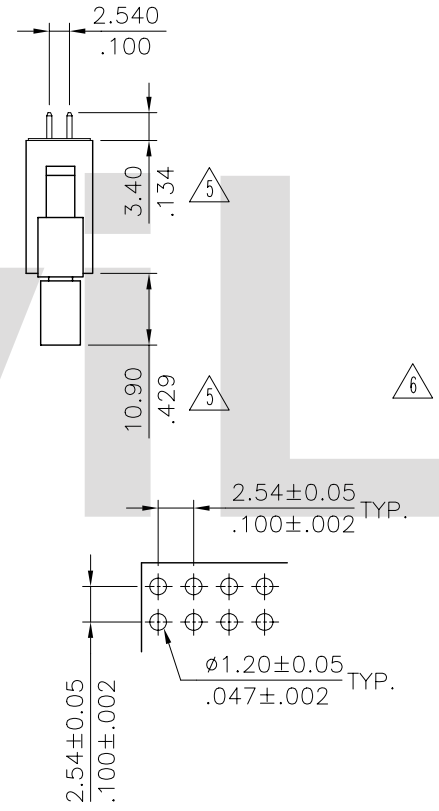
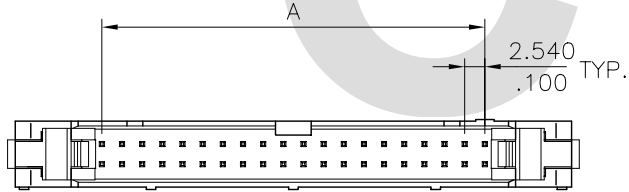
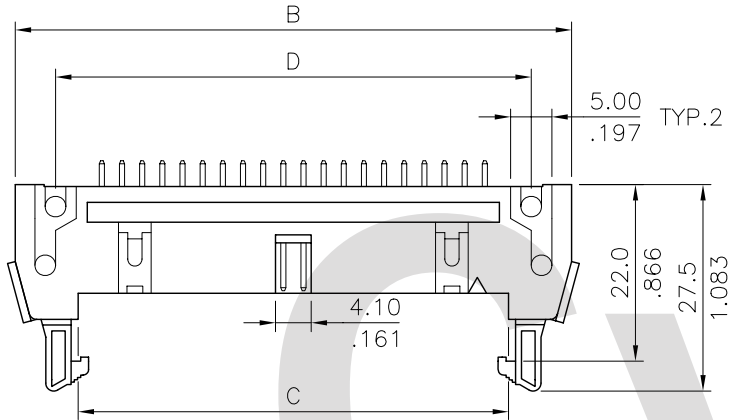
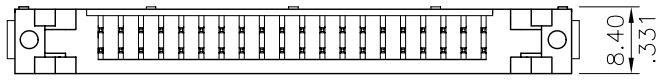


Ordering Code

CH88 ** * A 1 00
 ① ② ③ ④ ⑤ ⑥

- ① Series No.
- ② No. of Contacts
- ③ Plating option :
 - 1= 3.05 μm(120 μ") Min. Tin over 0.76 μm(30 μ") Nickel
 - 2= Gold Flash plated over 1.27 μm(50 μ") Nickel
 - 3= 0.38 μm(15 μ") Gold plated over 1.27 μm(50 μ") Nickel
 - 4= 0.76 μm(30 μ") Gold plated over 1.27 μm(50 μ") Nickel
- ④ A= With long latch/Straight
- ⑤ Color : 1= Black
- ⑥ Pin Length Option Code: 00= Standard

* Insulation: Glass filled polyester
 UL 94V-0
 * Contact: Brass



Circuits	Dimension			
	A	B	C	D
10	10.16(.400)	31.87(1.255)	17.90(.705)	21.70(.854)
14	15.24(.600)	36.95(1.454)	22.95(.903)	26.88(1.058)
16	17.78(.700)	39.48(1.554)	25.50(1.004)	29.27(1.152)
20	22.86(.900)	44.62(1.757)	30.58(1.204)	34.50(1.358)
24	27.94(1.100)	49.67(1.956)	35.70(1.406)	39.50(1.555)
26	30.48(1.200)	52.23(2.056)	38.25(1.506)	42.05(1.656)
30	35.56(1.400)	57.30(2.256)	43.35(1.707)	47.20(1.858)
34	40.64(1.600)	62.38(2.456)	48.40(1.906)	52.15(2.053)
40	48.26(1.900)	69.95(2.754)	56.05(2.207)	59.90(2.358)
50	60.96(2.400)	82.70(3.255)	68.70(2.705)	72.55(2.856)
60	73.66(2.900)	95.45(3.758)	81.50(3.209)	85.25(3.356)
64	78.74(3.100)	100.60(3.960)	86.40(3.402)	90.35(3.557)

RoHS Compliant

△4	Sandy	3/17/06'	ECN06088/ECR06022-0		DATE	UNIT: mm / inch	TITLE: 2.54MM(.100") STRAIGHT DUAL ROW SHROUDED HEADER		瀚荃股份有限公司			
△3	Sandy	1/10/06'	ECN06001/ECR06001-0		DRAWN BY: Bill	08/22 07'	TOLERANCE UNLESS OTHERWISE SPECIFIED		MATERIAL:	CviLux Corporation		
△6	Bill	08/13/07	ECN07313/ECR07103-0		ENGINEER: Eisley	08/22 07'	.X ± 0.30/.012 X' ± r'		FINISH:	DRAWING NO. CH8801SM	PART NO. CH88***A100	
△5	Jim	1/20/06'	ECN06294/ECR06071-0, ECR06093-0		CHECKED BY: David	08/22 07'	.XX ± 0.20/.008 .X' ±		SCALE 1 / 1	SHEET 1 OF 1		
SYM	NAME	DATE	REVISIONS		APPROVED BY: Alex	08/22 07'	.XXX ± 0.10/.004 .XX' ±					