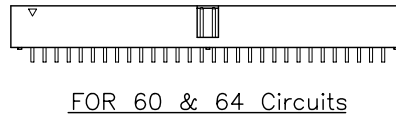


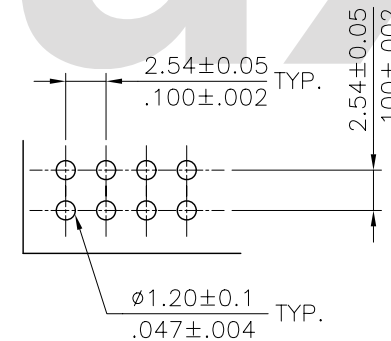
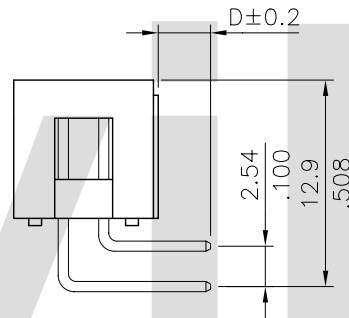
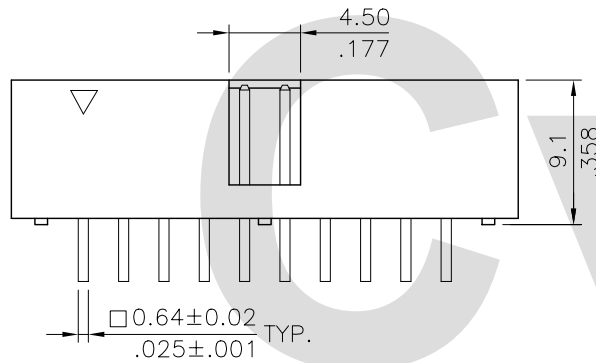
Material:
* Contact: Brass



Ordering Code:

CH87 ** * H * **
 ① ② ③ ④ ⑤ ⑥

- ① Series No.
- ② No. of contacts
- ③ Plating option:
 1 = 3.05 μ m(120 μ "") Min. Tin
 over 1.27 μ m(50 μ "") Nickel
 2 = Gold flash plated over 1.27 μ m(50 μ "") Nickel
- ④ H = Right angle
- ⑤ Insulation: 1 = PBT UL 94V-0, Color Black
- ⑥ Option code: 00 = Dim.D 3.1mm



A = 2.54 * No. of Spaces
 B = A + 10.16
 C = A + 7.86

③ * Available circuits: 6,8,10,14,16,20,24,26,30,
 30,34,40,44,50,60 and 64

Recommended P.C. Board Layout

④	SUN	11/22-05	ECN05392		DRAWN BY:	Sun	11/25 05'	UNIT: mm / inch TOLERANCE UNLESS OTHERWISE SPECIFIED .X ± 0.30/.012 X.' ± 1" .XX ± 0.20/.008 .X' ± .XXX ± 0.10/.004 .XX' ±	TITLE: 2.54MM(.100") RIGHT ANGLE DUAL ROW BOX PIN HEADER MATERIAL: FINISH:	瀚荃股份有限公司 CviLux Corporation	DRAWING NO.	CH8702SJ	PART NO.	CH87***H***		
	③	SUN	7/19-05			ECN05245	ENGINEER:				Eisley	11/25 05'	DRAWING NO.	CH8702SJ	PART NO.	CH87***H***
	②	LYNN	11/8-04			ECN04444/ECR04103-0	CHECKED BY:				David	11/25 05'	SCALE	2 / 1	SHEET	1 OF 1
	①	SUN	4/09/04'			ECN04144	APPROVED BY:				David	11/25 05'				
SYM	NAME	DATE	REVISIONS		APPROVED BY:	David	11/25 05'									