

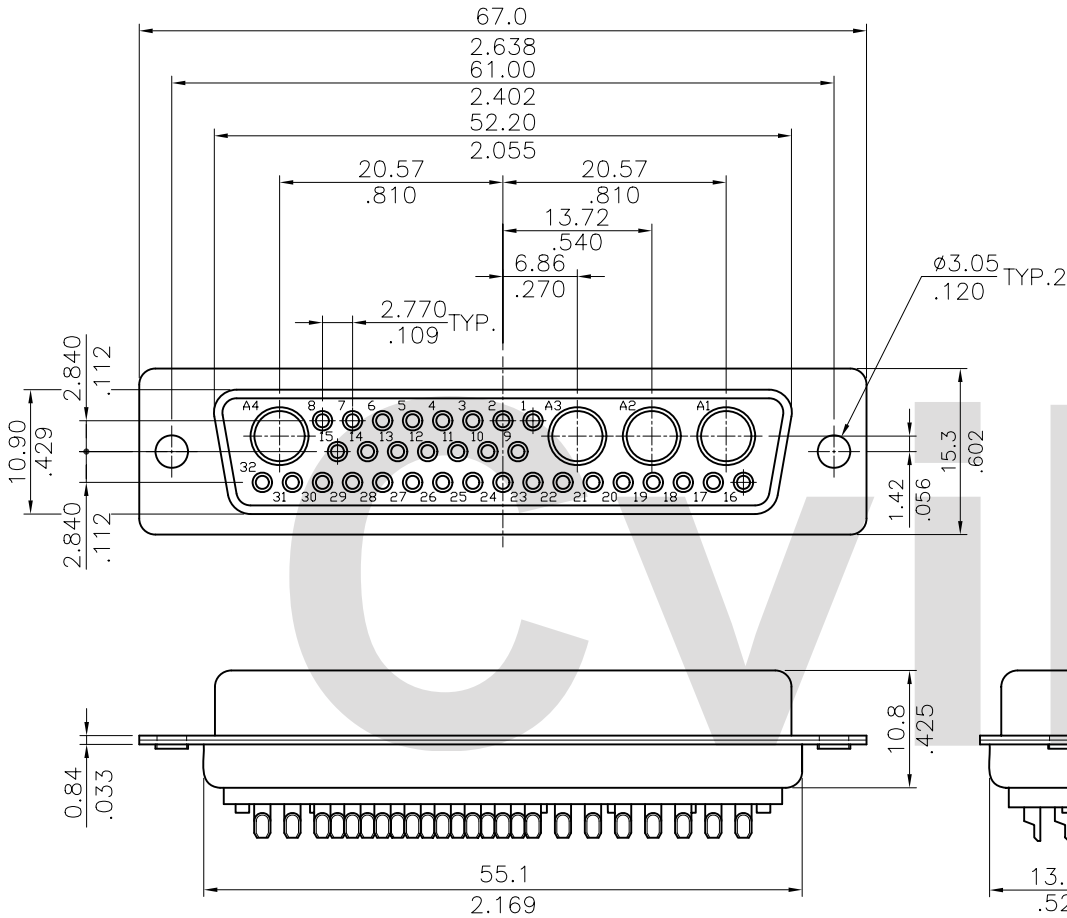
Material:

Insulator: Glass filled Polyester UL 94V-0
 Contact: Brass
 Shell: Steel, Tin plated as standard

Ordering Code

36W4 S0 S0 A 100 000
 ① ② ③ ④ ⑤ ⑥

- ① Series No.
- ② Connector Type:
S0= Receptacle
- ③ Contact tail Style:
S0= Solder Cup type
- ④ Signal Contact Plating:
A= Seletive Gold flash plated over Nickel
B= Seletive 15μ" Gold plated over Nickel
C= Seletive 30μ" Gold plated over Nickel
- ⑤ Insulator Color:
100= Black
600= Green
- ⑥ Mounting Style:
000= With ø3.05mm holes on shell
A00= Riveted #4-40 UNC close nuts on front shell
B00= Riveted #4-40 UNC open nuts on front shell
C00= Riveted #4-40 UNC open nuts on rear shell



Mounting Style				RoHS Compliant			
Code	000	Code	A00	Code	B00	Code	C00
		DIM. L= 5.8mm 		DIM. L= 4.0mm 		DIM. L= 4.0mm 	

4				DATE	UNIT: mm / inch	TITLE: 36W4 FEMALE COMBO D-SUB CONNECTOR (SOLDER CUP TYPE)	瀚荃股份有限公司 CviLux Corporation
3			DRAWN BY: James	11/18-02'	TOLERANCE UNLESS OTHERWISE SPECIFIED	MATERIAL:	
2			ENGINEER: David	11/18-02'	.X ±0.30/.012 .X' ± 1"		
1			CHECKED BY: David	11/18-02'	.XX ±0.20/.008 .X' ±	FINISH:	
SYM	NAME	DATE	APPROVED BY: Alex	11/18-02'	.XXX ±0.10/.004 .XX' ±		



DRAWING NO.	36W402SC	PART NO.	36W4S0S0**00*00
SCALE	2 / 1	SHEET	1 OF 1