

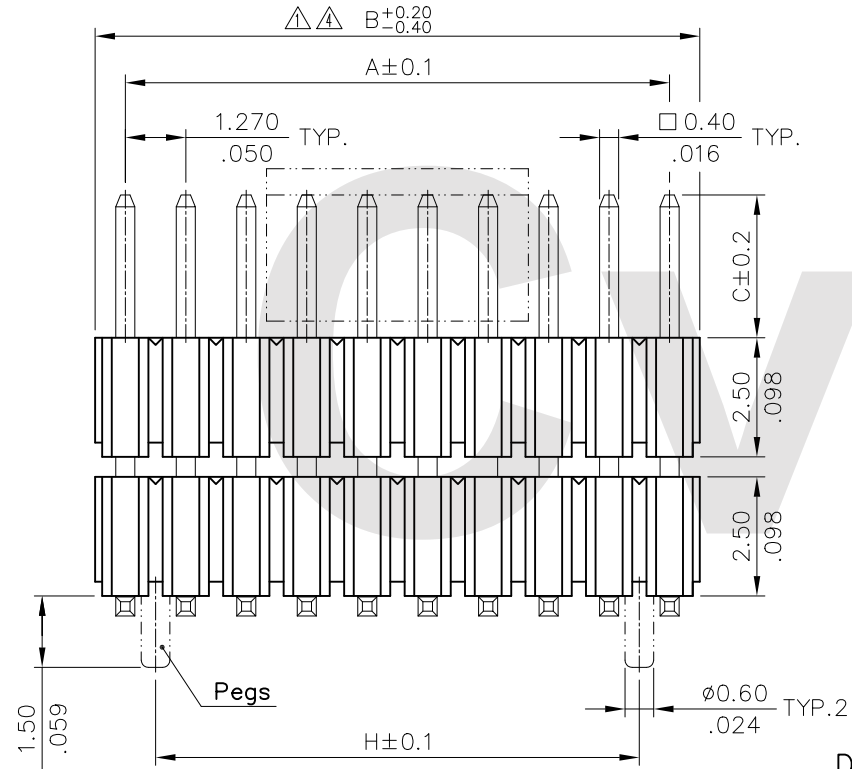
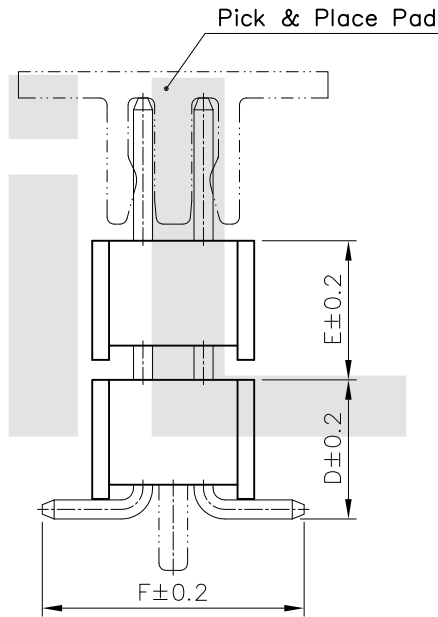
Notes:

1. DIM. E = 2.5 min.
2. Pin overall length 20.0 max.
3. Material:
  - \* Insulator: Nylon 6T With 30% GF. UL 94V-0 Color Black
  - \* Square Pin: Brass
  - \* Pegs: Brass, Tin plated
  - \* Pick & Place Pad: Nylon 6T UL 94V-0 Color Nature

Ordering Code:

CH57 \*\* \* M 1 \*\* - \* \*  
 ① ② ③ ④ ⑤ ⑥ ⑦ ⑧

Recommended P.C. Board Layout



- ① Series No.
- ② No. of Contact: 06 to 60
- ③ Plating code:
  - 2=Gold Flash plated over 1.27  $\mu\text{m}$ (50  $\mu$ ) Nickel
  - 3=0.38  $\mu\text{m}$ (15  $\mu$ ) Gold plated over 1.27  $\mu\text{m}$ (50  $\mu$ ) Nickel
  - 4=0.76  $\mu\text{m}$ (30  $\mu$ ) Gold plated over 1.27  $\mu\text{m}$ (50  $\mu$ ) Nickel
- ④ Tail & Mounting Style:
  - M=Straight SMT Type
- ⑤ Insulator Material & Color:
  - 1=Nylon 6T, Color Black
- ⑥ Option Code:
  - See Table PDF. File No. CH5702T
- ⑦ 0=Without Peg, P=With Peg
- ⑧ 0=Without Pick & Place Pad (Tube packaged)
  - P=With Pick & Place Pad (Tape & Reel packing)
  - A=With Pick & Place Pad (Tube packaged)

DIM. A = 1.27 X No. of Spaces


DIM. B = DIM. A + 1.27

DIM. H = DIM. A - 1.27

\* Available in 6 through 60 Circuits

Lead Free Process

RoHS Compliant

④	Ken	4/10-17'	ECNT117071/ECRB117010		DATE	UNIT: mm / inch	TITLE: 1.27mm(.050") DUAL ROW DUAL BODY SURFACE BOARD MOUNT PIN HEADER	 瀚荃股份有限公司 CviLux Corporation
③	Sun	10/15-08'	ECN08479/ECR08119-1	DRAWN BY: Ken	4/28-17'	TOLERANCE UNLESS OTHERWISE SPECIFIED	MATERIAL:	
②	Sun	01/04/05'	ECN05001	ENGINEER: Sun	5/02-17'	.X ± 0.25/.010 X' ± 1'	FINISH:	
①	Sandy	08/27/04'	ECN04327	CHECKED BY: Eisley	5/03-17'	.XX ± 0.15/.006 .X' ±	DRAWING NO. CH5702SE PART NO. CH57***M1**-**	
SYM	NAME	DATE	REVISIONS	APPROVED BY: Eisley	5/03-17'	.XXX ± 0.08/.003 .XX' ±	SCALE 6 / 1 SHEET 1 OF 1	

CIVILUX CORP  
 2017.05.05  
 ISSUED