

Notes:

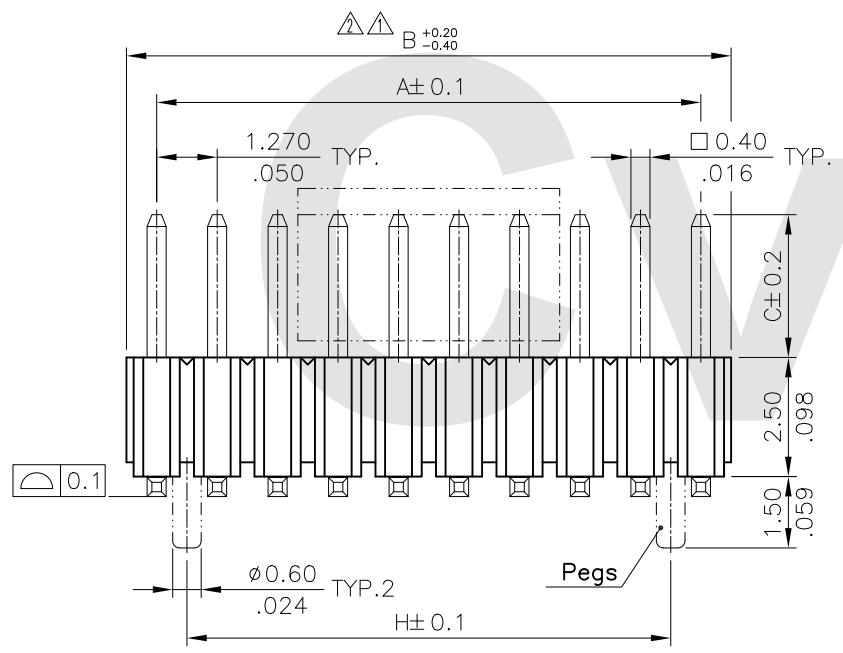
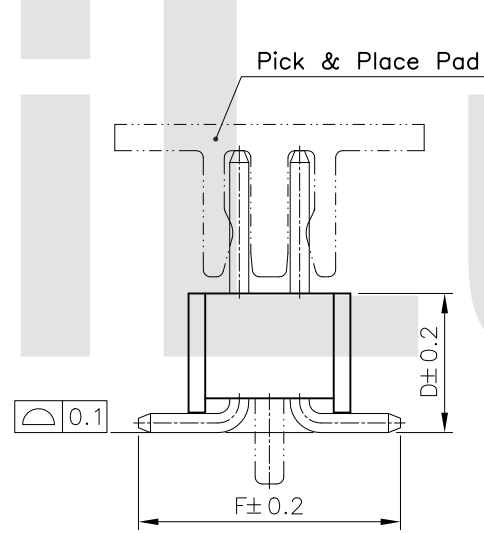
- * Material:
Insulator: Nylon 6T With 30% GF.
UL 94V-0 Color Black
Square Pin: Brass
Pegs: Brass , Tin plated
Pick & Place Pad:
Nylon 6T UL 94V-0
- * Pin overall Length 20.0mm Max.

Ordering Code:

CH52 ** * M 1 ** - * *
① ② ③ ④ ⑤ ⑥ ⑦ ⑧

- ① Series No.
- ② No. of Contact: 06 to 60
- ③ Plating code:
2=Gold Flash plated over 1.27 μ m(50 μ " Nickel
3=0.38 μ m(15 μ " Gold plated over 1.27 μ m(50 μ " Nickel
4=0.76 μ m(30 μ " Gold plated over 1.27 μ m(50 μ " Nickel
- ④ Tail & Mounting Style:
M=Straight SMT Type
- ⑤ Insulator Material & Color:
1=Nylon 6T , Color Black
- ⑥ Option Code:
See Table PDF. File No. CH5203T
- ⑦ 0=Without Peg
P=With Peg
- ⑧ 0=Without Pick & Place Pad
(Tube packaged)
P=With Pick & Place Pad
(Tape & Reel packing)

Recommended P.C. Boarded Layout



DIM. A = 1.27 X No. of Spaces
DIM. B = DIM. A + 1.27
DIM. H = DIM. A - 1.27
* Available in 6 through 60 Circuits

Lead Free Process
RoHS Compliant

④					DATE	UNIT: mm / inch	TITLE: 1.27mm(.050") DUAL ROW SURFACE BOARD MOUNT PIN HEADER	 瀚荃股份有限公司 CviLux Corporation
③				DRAWN BY: Ken	4/12-17'	TOLERANCE UNLESS OTHERWISE SPECIFIED	MATERIAL:	
②	Ken	4/10-17'	ECNT117071/ECRB117010	ENGINEER: Sun	4/24-17'	.X ± 0.25/.010 X' ± 1"	FINISH:	
①	Sandy	08/27/04'	ECN04327	CHECKED BY: Eisley	5/03-17'	.XX ± 0.15/.006 .X' ±		
SYM	NAME	DATE	REVISIONS	APPROVED BY: Eisley	5/03-17'	.XXX ± 0.08/.003 .XX' ±		DRAWING NO. CH5203SD PART NO. CH52***M1**-**
								SCALE 6 / 1 SHEET 1 OF 1

