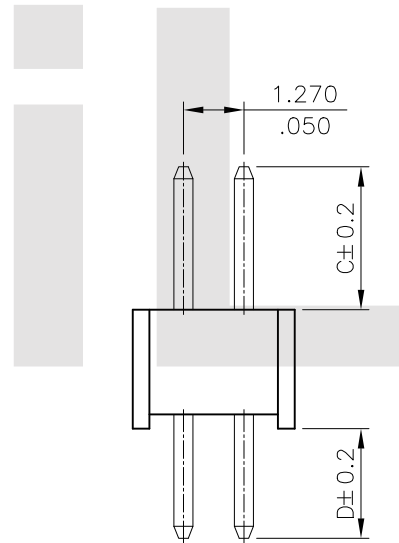
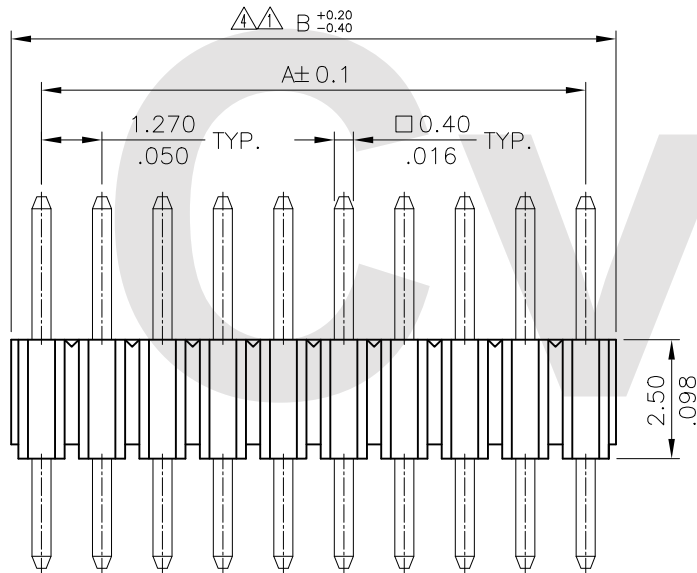


Recommended P.C. Boarded Layout



Notes:

\* Material:

Insulator: Nylon 6T With 30% GF.  
UL 94V-0 Color Black  
Square Pin: Brass

△\* Pin overall Length 20.0mm Max.

Ordering Code:

CH52 \*\* \* V 1 \*\*  
① ② ③ ④ ⑤ ⑥

- ① Series No.
- △ ② No. of Contact: 06 to 60
- ③ Plating code:  
2=Gold Flash plated over 1.27μm(50μ") Nickel  
3=0.38μm(15μ") Gold plated over 1.27μm(50μ") Nickel  
4=0.76μm(30μ") Gold plated over 1.27μm(50μ") Nickel
- ④ Tail & Mounting Style:  
V=Straight DIP Type
- ⑤ Insulator Material & Color:  
1=Nylon 6T , Color Black
- ⑥ Option Code:  
See Table PDF. File No. CH5201T

DIM. A = 1.27 X No. of Spaces

DIM. B = DIM. A + 1.27

\* Available in 6 through 60 Circuits

Lead Free Process

RoHS Compliant

CVILUX CORP  
 2017.05.04  
 ISSUED

△4	Ken	4/10-17'	ECNT117071/ECRB117010	2017.05.04 ISSUED	DATE	UNIT: mm / inch	TITLE: 1.27mm(.050") DUAL ROW BOARD MOUNT PIN HEADER	瀚荃股份有限公司 CviLux Corporation	
△3	Sun	10/15-08'	ECN08479/ECR08119-1		DRAWN BY: Ken	4/12-17'	TOLERANCE UNLESS OTHERWISE SPECIFIED		MATERIAL:
△2	Sandy	3/20/08'	ECN08141/ECR08030-1		ENGINEER: Sun	4/24-17'	.X ± 0.25/.010 X' ± 1"		
△1	Sandy	08/27/04'	ECN04327		CHECKED BY: Eisley	5/03-17'	.XX ± 0.15/.006 .X ±	FINISH:	DRAWING NO. CH5201SD PART NO. CH52***V1**
SYM	NAME	DATE	REVISIONS		APPROVED BY: Eisley	5/03-17'	.XXX ± 0.08/.003 .XX ±		SCALE 6 / 1 SHEET 1 OF 1