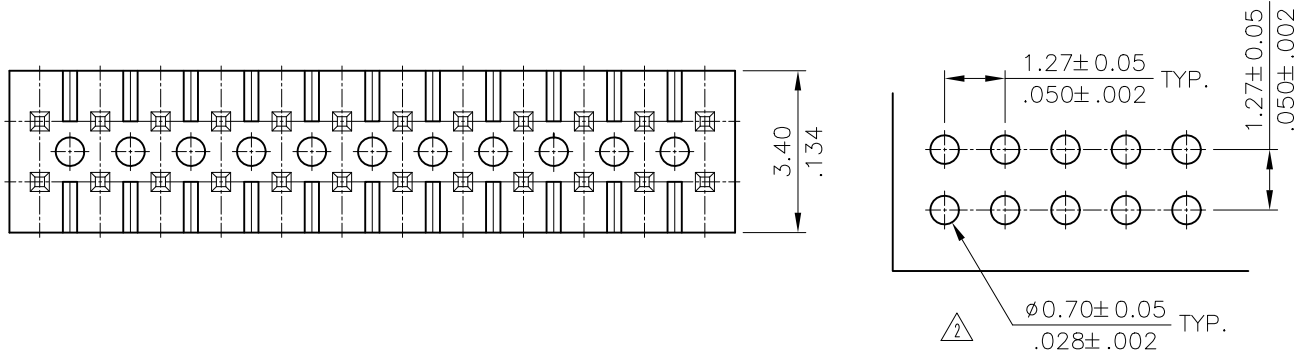


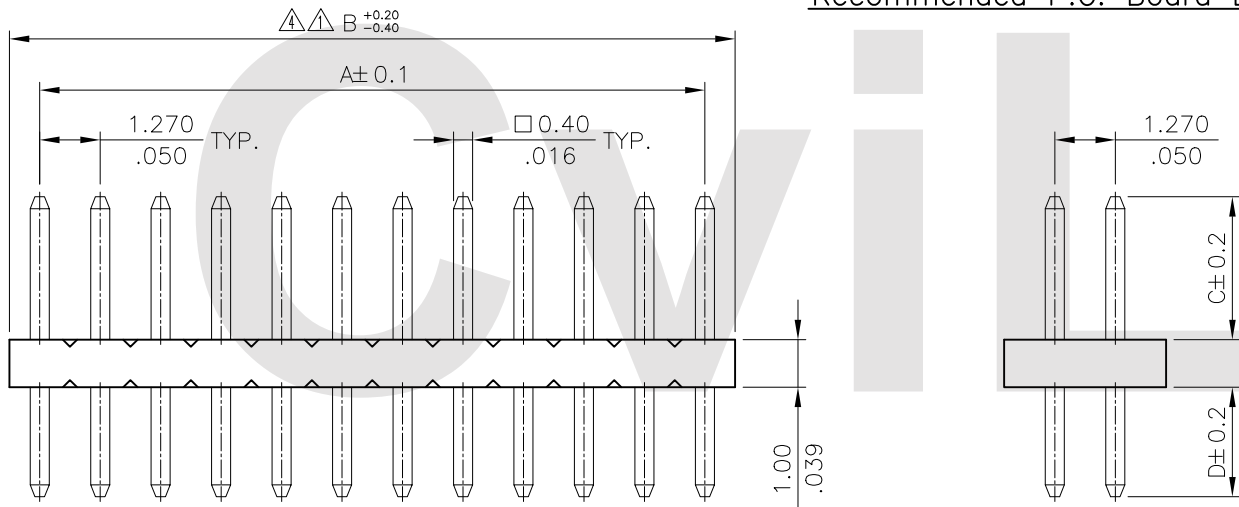
Notes:

* Material:

△ Insulator: High temperature plastic
UL 94V-0 Color Black
Square Pin: Brass



Recommended P.C. Board Layout



Ordering Code:

CH51 ** * V 1 **
① ② ③ ④ ⑤ ⑥

- ① Series No.
- ② No. of Contact: 06 to 100
X1=100
- ③ Plating code:
2=Gold Flash plated over 1.27μm(50μ") Nickel
3=0.38μm(15μ") Gold plated over 1.27μm(50μ") Nickel
4=0.76μm(30μ") Gold plated over 1.27μm(50μ") Nickel
- ④ Tail & Mounting Style:
V=Straight DIP Type
- ⑤ Insulator Color:
1= Color Black
- ⑥ Option Code:
See Table PDF. File No. CH5101T

DIM. A = 1.27 X No. of Spaces


DIM. B = DIM. A + 1.27

* Available in 6 through 100 Circuits

Halogen-Free

Lead Free Process

RoHS Compliant

△4	Ken	4/27-17'	ECNT117071/ECRB117010		DATE	UNIT: mm / inch	TITLE: 1.27mm(.050") DUAL ROW BOARD MOUNT PIN HEADER	 瀚荃股份有限公司 CviLux Corporation	
△3	Sun	2/01-16'	ECNT116019/ECRB116008	DRAWN BY: Ken	4/28-17'	TOLERANCE UNLESS OTHERWISE SPECIFIED	MATERIAL:		
△2	Sandy	3/20/08'	ECN08141/ECR08030-1	ENGINEER: Sun	5/02-17'	.X ± 0.25/.010 X' ± 1"			
△1	Sandy	08/27/04'	ECN04327	CHECKED BY: Eisley	5/03-17'	.XX ± 0.15/.006 .X' ±	FINISH:		
SYM	NAME	DATE	REVISIONS	APPROVED BY: Eisley	5/03-17'	.XXX ± 0.08/.003 .XX' ±			
								DRAWING NO. CH5101SG	PART NO. CH51***V1**
								SCALE 6 / 1	SHEET 1 OF 1

CVILUX CORP
2017.05.04
ISSUED