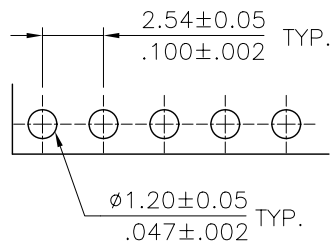
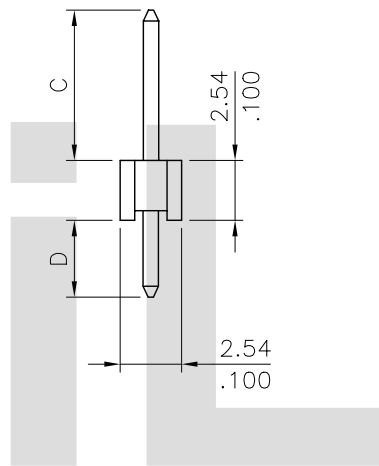


A = 2.54 x No. of Spaces  
 B = A + 2.36  
 \* Available in 2 through 40 circuits



Recommended P.C. Board Layout

Notes:

\* Material:

Contact: Brass

△\* Pin overall Length 30.0mm Max.

Ordering Code

CH31 \*\* \* V \* \*\*  
 ① ② ③ ④ ⑤ ⑥

① Series No.

② No. of Circuits

③ Plating code:

1= 3.05μm(120μ") Min. Tin  
 over 0.76μm(30μ") Nickel

2= Gold flash plated over  
 1.27μm(50μ") Nickel

④ V= Straight


△⑤ Insulator: 2= PBT UL 94V-0, Color Black  
 A= Nylon 6T UL 94V-0, Color Black

⑥ Pin Length Option Code:

See Table PDF. File No. CH3101T



RoHS Compliant

⑤	Sun	10/6-08'	ECN08478/ECR08118-1		DATE	UNIT: mm / inch	TITLE: 2.54MM(.100") STRAIGHT BOARD MOUNT PIN HEADER	 瀚荃股份有限公司 CviLux Corporation
④	Bill	4/14/07'	ECN07148/ECR07059-0	DRAWN BY: Sun	10/07-08'	TOLERANCE UNLESS OTHERWISE SPECIFIED	MATERIAL:	
③	Lynn	12/13-04	ECN04465/ECR04109-0	ENGINEER: Eisley	10/07-08'	.X ± 0.30/.012 X: ± 1"	FINISH:	DRAWING NO. CH3101SL PART NO. CH31***V***
②	Sun	4/09/04'	ECN04144	CHECKED BY: Alex	10/07-08'	.XX ± 0.20/.008 .X: ±		SCALE 3 / 1 SHEET 1 OF 1
SYM	NAME	DATE	REVISIONS	APPROVED BY: Alex	10/07-08'	.XXX ± 0.10/.004 .XX: ±		