

Notes:

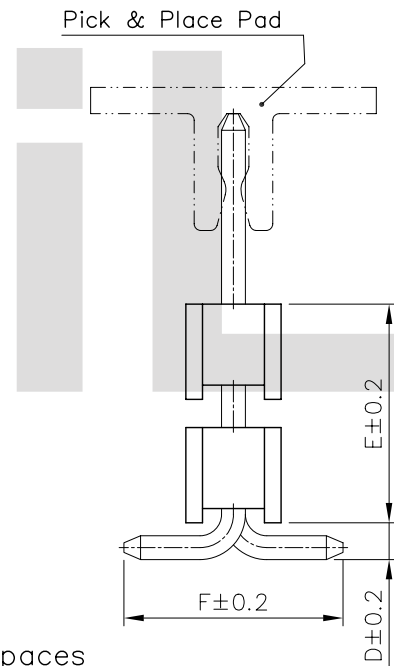
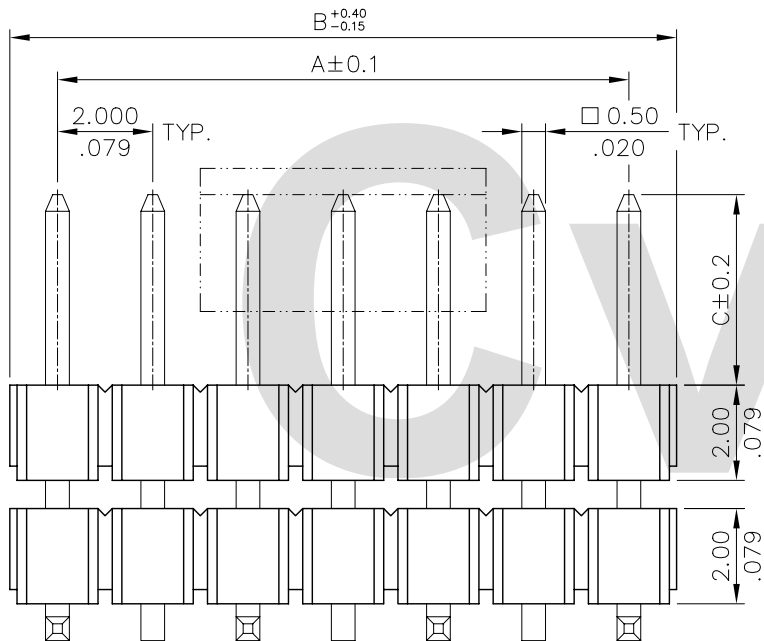
1. DIM. E = 4.0 min.
2. Pin overall length 30.0 max.
3. Material:
  - \* Insulator: Nylon 6T With 30% GF. UL 94V-0 Color Black
  - \* Square Pin: Brass
  - \* Pick & Place Pad: Nylon 6T UL 94V-0 Color Nature

Ordering Code:

CH21 \*\* \* M 1 \*\* - 0 \*  
 ① ② ③ ④ ⑤ ⑥ ⑦ ⑧

- ① Series No.
- ② No. of Contact: 02 to 40
- ③ Plating code:
  - 1=3.05 $\mu$ m(120 $\mu$ "") Min. Tin over 0.79 $\mu$ m(30 $\mu$ "") Nickel
  - 2=Gold Flash plated over 1.27 $\mu$ m(50 $\mu$ "") Nickel
  - 3=0.38 $\mu$ m(15 $\mu$ "") Gold plated over 1.27 $\mu$ m(50 $\mu$ "") Nickel
  - 4=0.76 $\mu$ m(30 $\mu$ "") Gold plated over 1.27 $\mu$ m(50 $\mu$ "") Nickel
- ④ Tail & Mounting Style:
  - M=Straight SMT Type
- ⑤ Insulator Material & Color:
  - 1=Nylon 6T, Color Black
- ⑥ Option Code:
  - See Table PDF. File No. CH2102T
- ⑦ Pin Size: 0=Original design
- ⑧ 0=Without Pick & Place Pad (Tube packaged)  
 P=With Pick & Place Pad (Tape & Reel packing)

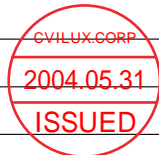
Recommended P.C. Board Layout



DIM. A = 2.00 X No. of Spaces

DIM. B = DIM. A + 2.00

\* Available in 2 through 40 Circuits



④					DATE	UNIT: mm / inch	TITLE: 2.00mm(.079") SINGLE ROW DUAL BODY SURFACE BOARD MOUNT PIN HEADER	瀚荃股份有限公司 CviLux Corporation
③				DRAWN BY: Sun	5/19 04'	TOLERANCE UNLESS OTHERWISE SPECIFIED	MATERIAL:	
②				ENGINEER: Eisle	5/21 04'	.X ± 0.25/.010 X' ± 1'	FINISH:	DRAWING NO. CH2102SC PART NO. CH21***M1**-0*
①	SUN	5/07/04'	ECN04183	CHECKED BY: David	5/26 04'	.XX ± 0.15/.006 .X' ±		SCALE 6 / 1 SHEET 1 OF 1
SYM	NAME	DATE	REVISIONS	APPROVED BY: Alex	5/26 04'	.XXX ± 0.10/.004 .XX' ±		

RoHS Compliant