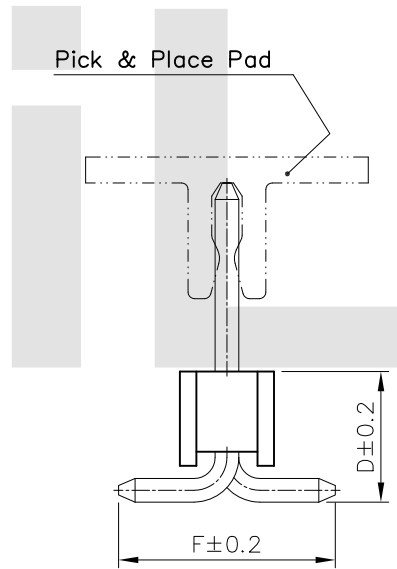


Recommended P.C. Board Layout



Notes:

* Material:

Insulator: Nylon 6T With 30% GF.
UL 94V-0 Color Black

Square Pin: Brass

Pick & Place Pad:

Nylon 6T UL 94V-0 Color Nature

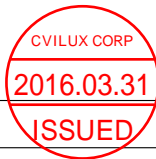
△ * Pin overall Length 30.0mm Max.

Ordering Code:

CH11 ** * M 1 ** - 0 *
① ② ③ ④ ⑤ ⑥ ⑦ ⑧

- ① Series No.
- ② No. of Contact: 02 to 40
- ③ Plating code:
1=3.05 μm(120 μ") Min. Tin
over 0.79 μm(30 μ") Nickel
2=Gold Flash plated over
1.27 μm(50 μ") Nickel
3=0.38 μm(15 μ") Gold plated
over 1.27 μm(50 μ") Nickel
4=0.76 μm(30 μ") Gold plated
over 1.27 μm(50 μ") Nickel
- ④ Tail & Mounting Style:
M=Straight SMT Type
- ⑤ Insulator Material & Color:
1=Nylon 6T , Color Black
- ⑥ Option Code:
See Table PDF. File No. CH1109T
- ⑦ Pin Size: 0=Original design
- ⑧ 0=Without Pick & Place Pad
(Tube packaged)
P=With Pick & Place Pad
(Tape & Reel packing)

DIM. A = 2.00 X No. of Spaces
DIM. B = DIM. A + 2.00
* Available in 2 through 40 Citcuits



④					DATE	UNIT: mm / inch	TITLE: 2.00mm(.079") STRAIGHT SINGLE ROW SURFACE BOARD MOUNT PIN HEADER	瀚荃股份有限公司 CviLux Corporation	
③	Sun	3/24-16'	ECRB116013/ECNT116061	DRAWN BY:	Sun	3/24-16'	TOLERANCE UNLESS OTHERWISE SPECIFIED		
②	Sun	10/6-08'	ECN08478/ECR08118-1	ENGINEER:	Sun	3/24-16'	.X ± 0.25/.010 X' ± 1'	DRAWING NO. CH1109SE PART NO. CH11***M1**-0*	
①	Sun	5/07/04'	ECN04183	CHECKED BY:	Eisley	3/25-16'	.XX ± 0.15/.006 X' ±		
SYM	NAME	DATE	REVISIONS	APPROVED BY:	Eisley	3/26-16'	.XXX ± 0.10/.004 XX' ±	FINISH:	
								SCALE	6 / 1
								SHEET	1 OF 1