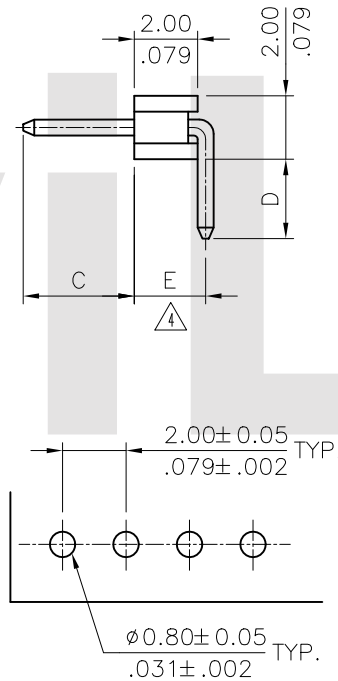
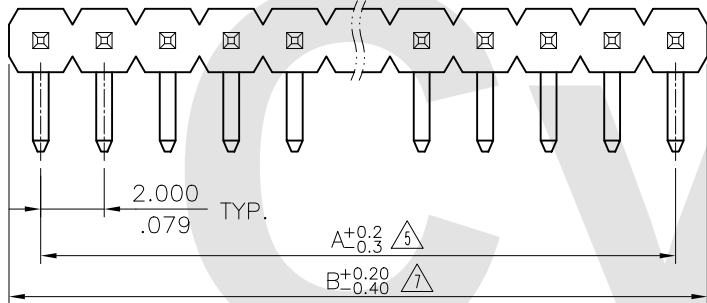
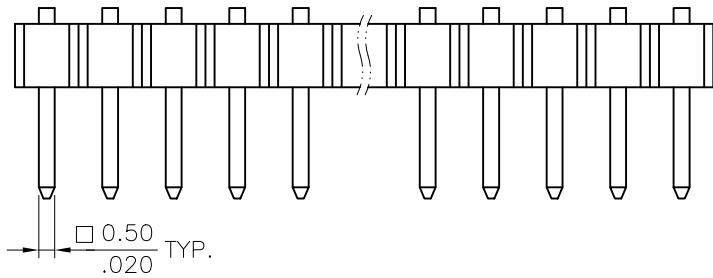


Notes:

- \* Material:
- Contact: Brass
- △ \* Pin overall Length 30.0mm Max.



### Ordering Code


CH11    \*\*    \*    H    \*    \*\*  
 ①      ②    ③    ④    ⑤    ⑥

- ① Series No.
- ② No. of Circuits
- ③ Plating Code:
  - 1= 3.05  $\mu\text{m}$ (120  $\mu\text{''}$ ) Min. Tin  
over 0.76  $\mu\text{m}$ (30  $\mu\text{''}$ ) Nickel
  - 2= Gold flash plated  
over 1.27  $\mu\text{m}$ (50  $\mu\text{''}$ ) Nickel
  - 3= 0.38  $\mu\text{m}$ (15  $\mu\text{''}$ ) Gold plated over  
1.27  $\mu\text{m}$ (50  $\mu\text{''}$ ) Nickel
  - 4= 0.76  $\mu\text{m}$ (30  $\mu\text{''}$ ) Gold plated over  
1.27  $\mu\text{m}$ (50  $\mu\text{''}$ ) Nickel
- ④ H= Right angle
- ⑤ Insulation: 1= PBT UL 94V-0, Color Black  
A= Nylon 6T UL 94V-0, Color Black
- ⑥ Pin Length Option cord:  
See Table PDF. File No. CH1103T

A = 2.0 \* No. of Spaces  
 B = A + 2.0  
 \* Available in 2 through 40 circuits

Recommended P.C. Board Layout

RoHS Compliant

△7	Aaron	10/21-16	ECNT116250/ECRB116072		DATE	UNIT: mm / inch	TITLE: 2.00MM(.079") RIGHT ANGLE	 瀚荃股份有限公司 CviLux Corporation
△6	Sun	10/6-08'	ECN08478/ECR08118-1	DRAWN BY: Aaron	10/28-16'	TOLERANCE UNLESS OTHERWISE SPECIFIED	SINGLE ROW BORAD MOUNT PIN HEADER	
△5	Sandy	1/31-08'	ECN08055/ECR08011-1	ENGINEER: Sun	11/18-16'	.X ± 0.30 / .012    X' ± 1'	MATERIAL:	DRAWING NO. CH1102SI
△4	Sun	12/04-06'	ECN06405	CHECKED BY: Eisley	11/21-16'	.XX ± 0.20 / .008    .X' ±	FINISH:	PART NO. CH11***H***
SYM	NAME	DATE	REVISIONS	APPROVED BY: Eisley	11/21-16'	.XXX ± 0.10 / .004    .XX' ±		SCALE 4 / 1

  
 2016.11.25  
 ISSUED