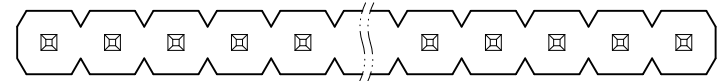


Notes:

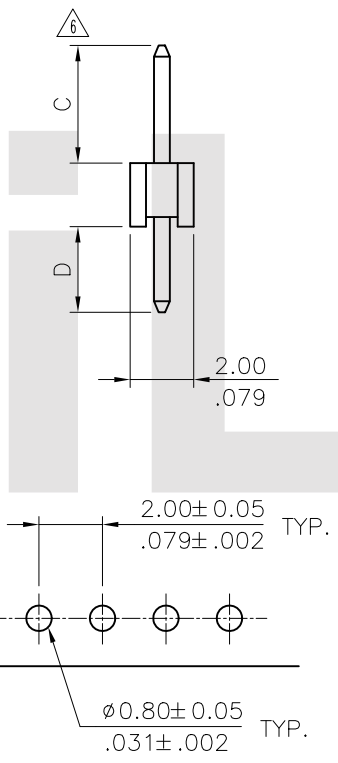
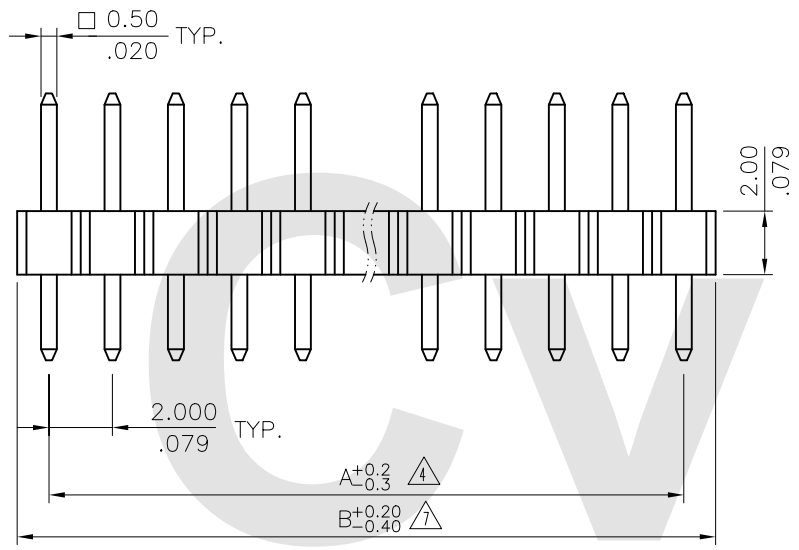
- * Material:
Contact: Brass
- △ * Pin overall Length 30.0mm Max.



Ordering Code

CH11 ** * V * **
 ① ② ③ ④ ⑤ ⑥

- ① Series No.
- ② No. of Circuits
- ③ Plating Code:
 - 1= 3.05 μm(120 μ") Min. Tin over 0.76 μm(30 μ") Nickel
 - 2= Gold flash plated over 1.27 μm(50 μ") Nickel
 - 3= 0.38 μm(15 μ") Gold plated over 1.27 μm(50 μ") Nickel
 - 4= 0.76 μm(30 μ") Gold plated over 1.27 μm(50 μ") Nickel
- ④ V= Straight
- ⑤ Insulation: 1= PBT UL 94V-0, Color Black
A= Nylon 6T UL 94V-0, Color Black
- ⑥ Pin Length Option cord:
See Table PDF. File No. CH1101T



A = 2.00 * No. of Spaces
 B = A + 2.00
 * Available in 2 through 40 circuits

Recommended P.C. Board Layout

RoHS Compliant

⑦	Aaron	10/21-16'	ECNT116250/ECRB116072	 2016.11.25 ISSUED	DATE	UNIT: mm / inch	TITLE: 2.00MM(.079") STRAIGHT		
⑥	Karen	12/09-09'	ECN09583		DRAWN BY: Aaron	10/28-16'	TOLERANCE UNLESS OTHERWISE SPECIFIED	SINGLE ROW BORAD MOUNT PIN HEADER	
⑤	Sun	10/6-08'	ECN08478/ECR08118-1		ENGINEER: Sun	11/18-16'	.X ± 0.30 / .012 X' ± 1'	MATERIAL:	
④	Sandy	1/31-08'	ECN08055/ECR08011-1		CHECKED BY: Eisley	11/21-16'	.XX ± 0.20 / .008 .X' ±	FINISH:	
SYM	NAME	DATE	REVISIONS		APPROVED BY: Eisley	11/21-16'	.XXX ± 0.10 / .004 .XX' ±		
								DRAWING NO. CH1101SJ	PART NO. CH11***V***
								SCALE 4 / 1	SHEET 1 OF 1

