

Notes:

* Material:

Insulator: Nylon 6T With 30% GF.

UL 94V-0 Color Black

Square Pin: Brass

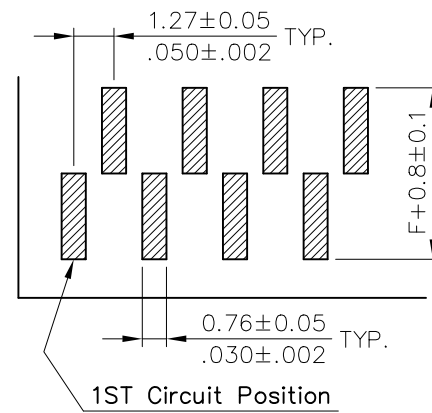
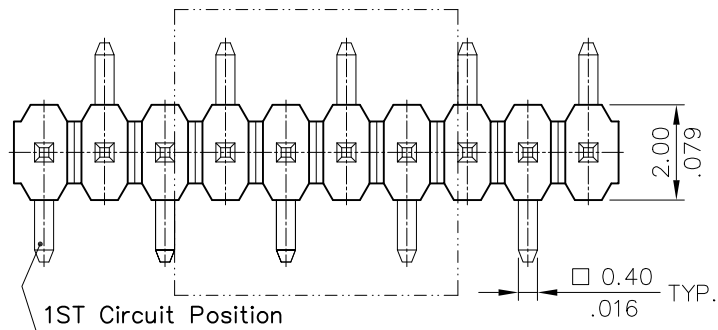
Pick & Place Pad:

Nylon 6T UL 94V-0, Color Nature

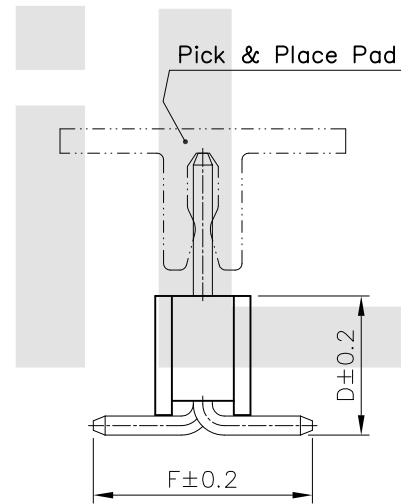
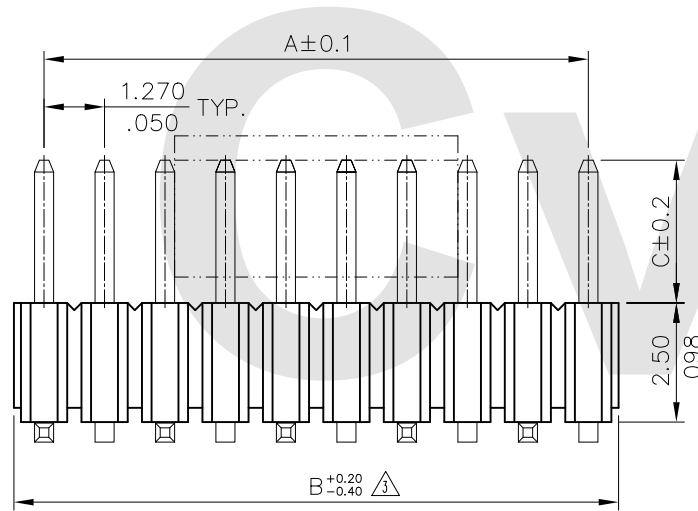
△ * Pin overall Length 20.0mm Max.

Ordering Code:

CH02 ** * M 1 ** - 0 *
 ① ② ③ ④ ⑤ ⑥ ⑦ ⑧



Recommended P.C. Board Layout



- ① Series No.
- ② No. of Contact: 04 to 50
- ③ Plating code:
 2=Gold Flash plated over 1.27 μm(50 μ") Nickel
 3=0.38 μm(15 μ") Gold plated over 1.27 μm(50 μ") Nickel
 4=0.76 μm(30 μ") Gold plated over 1.27 μm(50 μ") Nickel
- ④ Tail & Mounting Style:
 M=Straight SMT Type
- ⑤ Insulator Material & Color:
 1=Nylon 6T , Color Black
- ⑥ Option Code:
 See Table PDF. File No. CH0202T
- ⑦ Pin Size:
 0=Original design
- ⑧ 0=Without Pick & Place Pad (Tube packaged)
 P=With Pick & Place Pad (Tape & Reel packing)



DIM. A = 1.27 X No. of Spaces

DIM. B = DIM. A + 1.27

* Available in 4 through 50 Circuits

Lead Free Process

RoHS Compliant

SYM	NAME	DATE	REVISIONS	APPROVED BY:	DATE	UNIT: mm / inch	TITLE: 1.27mm(.050") SINGLE ROW SURFACE BOARD MOUNT PIN HEADER	MATERIAL:	FINISH:	DRAWING NO.	PART NO.	SHEET	OF
4													
3	Ken	4/10-17'	ECNT117071/ECRB117010	DRAWN BY: Ken	4/11-17'								
2	Sun	10/6-08'	ECN08477/ECR08117-1	ENGINEER: Sun	4/24-17'								
1	Sun	5/07/04'	ECN04183	CHECKED BY: Eisley	5/03-17'								
				APPROVED BY: Eisley	5/03-17'								



瀚荃股份有限公司
CviLux Corporation

DRAWING NO. CH0202SE PART NO. CH02***M1**-0*
 SCALE 6 / 1 SHEET 1 OF 1