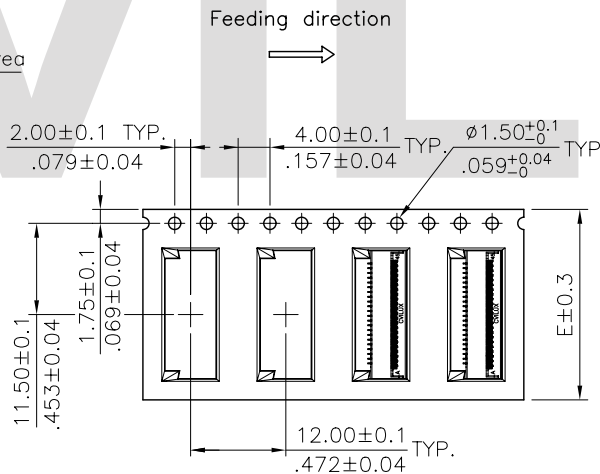
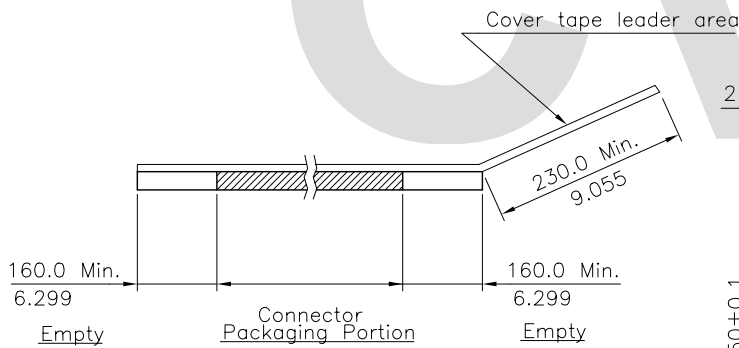
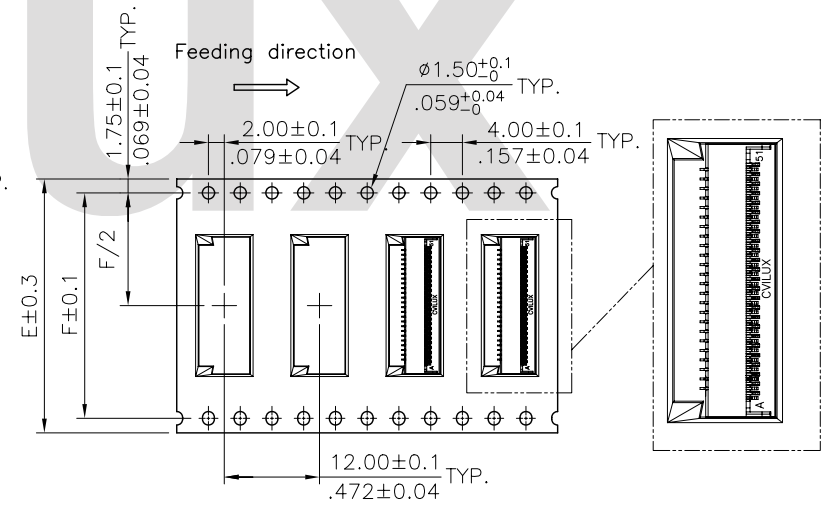


- NOTE :
- 10 sprocket hole pitch cumulative tolerance ± 0.20 .
 - Carrier camber is within 1 mm in 250mm.
 - Material : Clear,Transparent Polystyrene Alloy (UP-5200).
 - All dimensions meet EIA-481-C requirements.
 - Thickness : 0.40 ± 0.05 mm.
 - Packing length per 22" reel : 92.5 Meters.
 - Component load per 13" reel : 2400 pcs.


Circuits	Dimension					Packing (Reel/Caton)
	E	F	W1	W2	W3	
11~21	16.0(.630)	—	16.5(.650)	22.5(.886)	16.5(.650)	11
22~45	24.0(.945)	—	24.5(.965)	30.5(1.201)	24.5(.965)	9
46~61	32.0(1.260)	28.40(1.118)	32.5(1.280)	38.5(1.516)	32.5(1.280)	7



WIDTH : 16,24 mm Carrier



WIDTH : 32 mm Carrier

4					DATE	UNIT: mm / inch	TITLE: TAPE & REEL PACKAGING FOR CF30 SERIES	 瀚荃股份有限公司 CviLux Corporation
3					1/8-09'	TOLERANCE UNLESS OTHERWISE SPECIFIED	MATERIAL:	
2	Karen	1/05-09'	ECN09003/ECR08099-0	ENGINEER:	Eisley	.X ±	FINISH:	DRAWING NO. CF3003SC
1	Sun	5/09-08'	ECN08210	CHECKED BY:	David	.XX ±		PART NO.
SYM	NAME	DATE	REVISIONS	APPROVED BY:	Alex	.XXX ±	SCALE	SHEET 1 OF 1

