

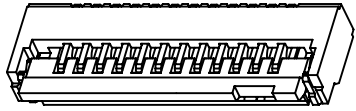
Material :

- * Base: Heat Resistance Plastic, UL 94V-0, Color Nature
- * Cover: Heat Resistance Plastic, UL 94V-0, Color Black
- * Contact: Phosphor Bronze
- * Fixed tab: Brass with Matte Tin Plated over Nickel

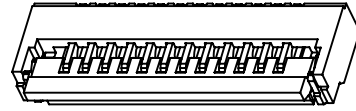
Ordering Code

CF29 ** 2 D 0 R0 -NH
 ① ② ③ ④ ⑤ ⑥ ⑦

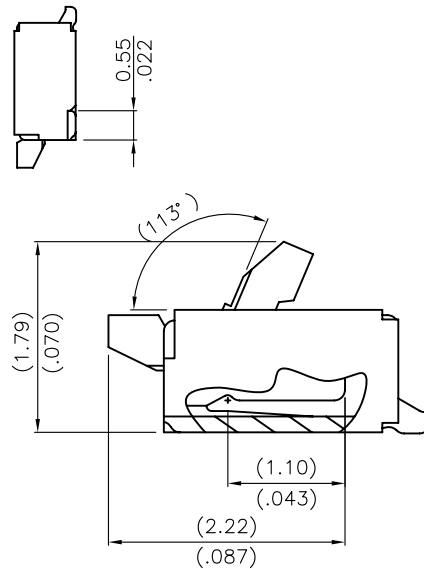
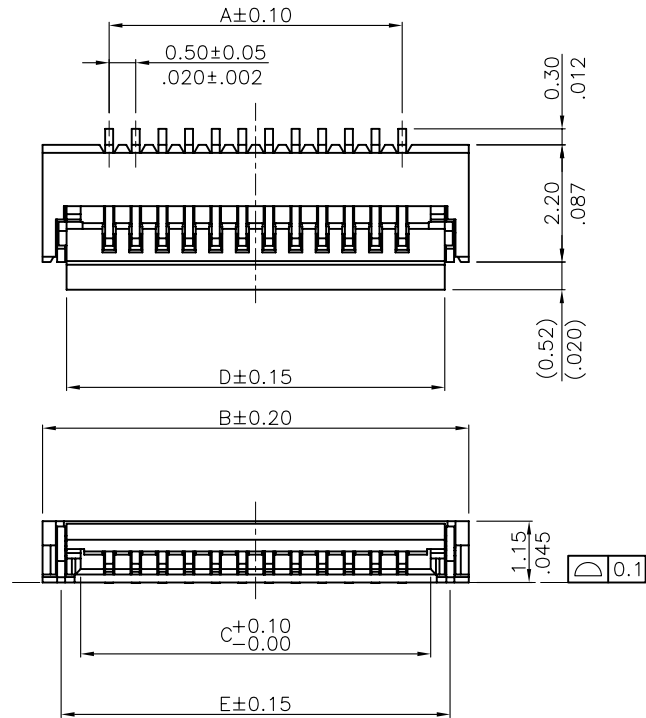
- ① Series No.
- ② No. of Circuits: 04~39
- ③ Plating code: 2= Gold Flash plated over 1.27 μ m(50 μ "") Nickel
- ④ Contact style: D= Downside contact
- ⑤ 0= Color Nature
- ⑥ Packing: R0= Tape & Reel packing
- ⑦ -NH= For Lead Free IR Processed and Halogen Free



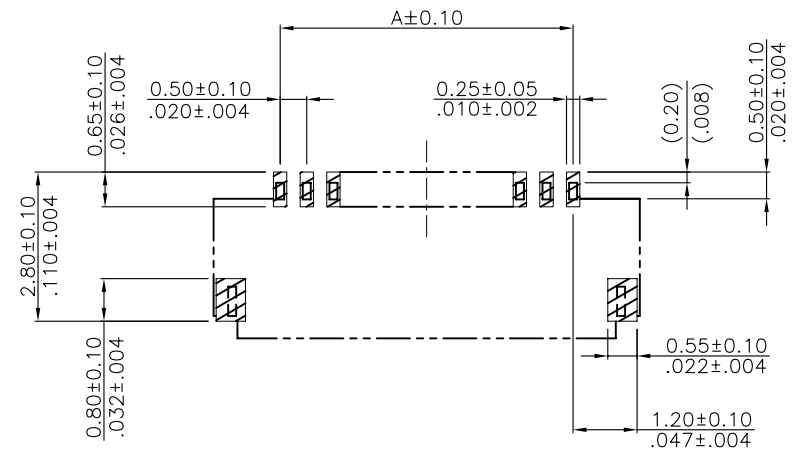
NO. of CONTACTS: 4~14PIN



NO. of CONTACTS: 15~39PIN



Cover open state
(SCALE 2:1)




Recommended P.C. Board Layout

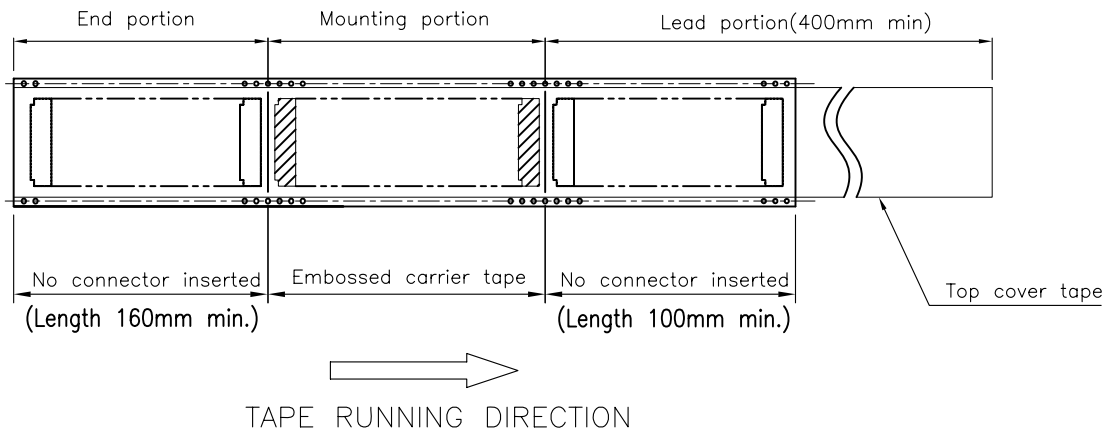
Halogen-Free

Lead Free Process

RoHS compliant

CIVILUX CORP
 2014.09.12
 ISSUED

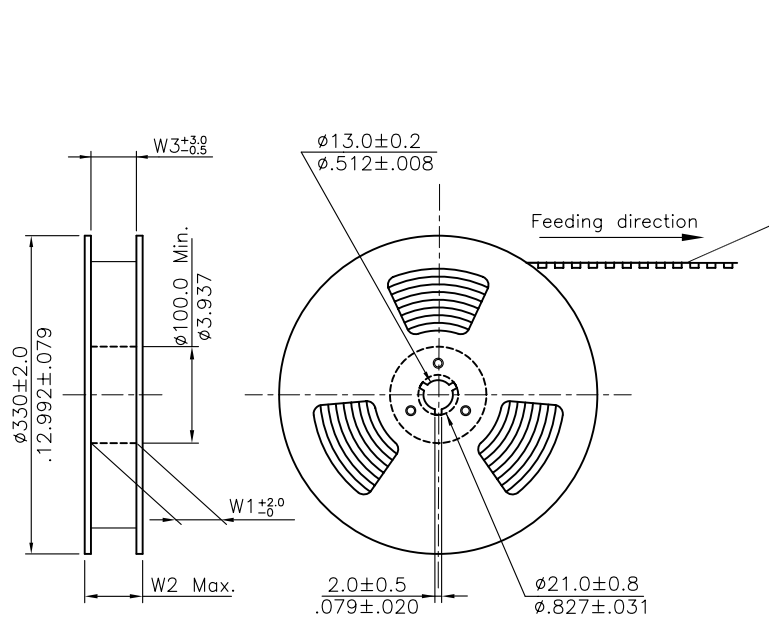
④					DATE	UNIT: mm / inch	TITLE: 0.50mm(.020") ZIF FFC/FPC ONE-TOUCH CONNECTOR (4~39PIN)	 瀚荃股份有限公司 CviLux Corporation
③	Claire	8/25-14'	ECNT214046		8/26-14"	TOLERANCE UNLESS OTHERWISE SPECIFIED	MATERIAL:	
②	Claire	9/18-13'	ECRT213002/ECNT213006 ECR13011-5/ECN13025-5 ECR13024-5/ECN13032-5	ENGINEER:	Francis	.X ± 0.25/.009 X* ±	FINISH:	DRAWING NO. CF2901SD PART NO. CF29**2D0R0-NH
①	Claire	12/22-12'	EGR12085-5/ECN12076-5	CHECKED BY:	Jerry	.XX ± 0.20/.008 X* ± 1'		SCALE 10 / 1
SYM	NAME	DATE	REVISIONS	APPROVED BY:	Scott	.XXX ± .XX ±		



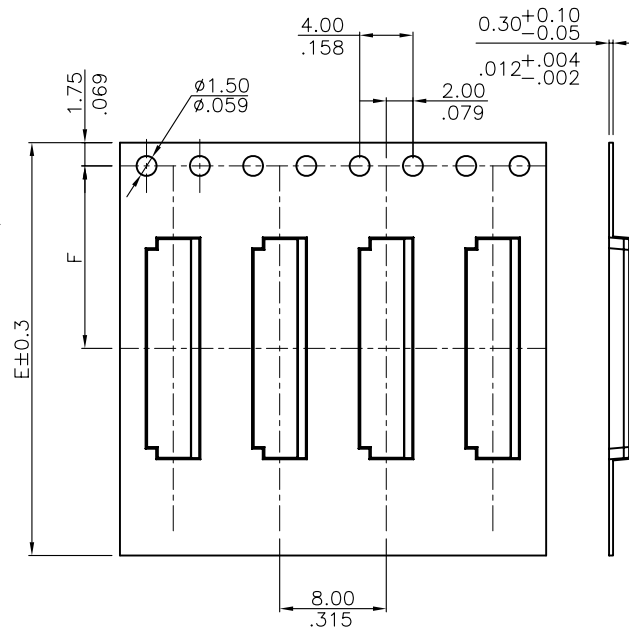
Notes:

1. 10 sprocket hole pitch cumulative tolerance ± 0.2
2. Camber not to exceed 1mm in 100mm.
3. Material: Polystyrene.
4. Pocket position relative to sprocket hole measured as true position of pocket, not pocket hole.
5. All dimensions meet EIA-481-B requirements.
6. Quantity: 4000 PCS/REEL

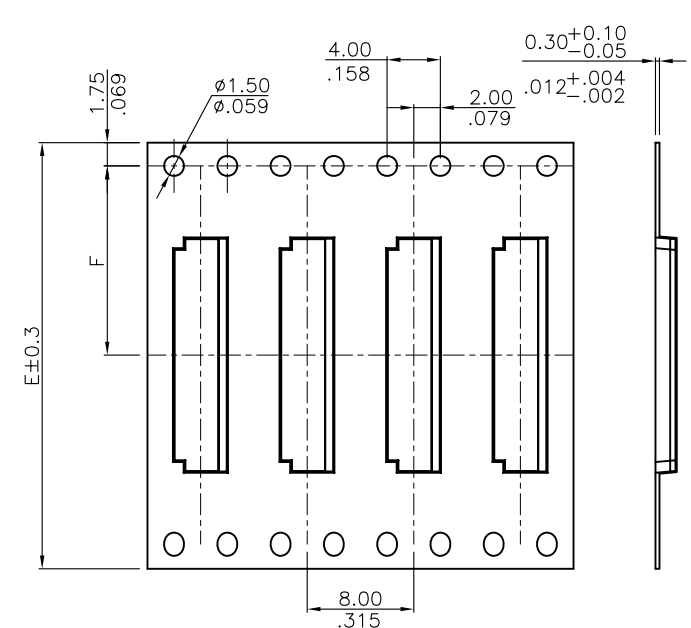
Circuits	Dimension					Packing (Reel/Caton)
	E	F	W1	W2	W3	
4-11	16.0(.630)	7.50(.295)	16.5(.650)	22.5(.885)	16.5(.650)	11
12-29	24.0(.945)	11.50(.453)	24.5(.965)	30.5(1.200)	24.5(.965)	9
30-37	32.0(1.260)	14.20(.559)	32.5(1.280)	38.5(1.516)	32.5(1.280)	7
38-39	44.0(1.732)	20.20(.795)	44.5(1.752)	50.5(1.988)	44.5(1.752)	5



REEL DIMENSIONS



WIDTH : 16.24 mm Carrier (SCALE 1:4)



WIDTH : 32.44 mm Carrier (SCALE 1:4)

RoHS Compliant

CIVILUX CORP
 2014.09.12
 ISSUED

4					DATE	UNIT: mm / inch	TITLE: 0.50mm(.020") ZIF FFC/FPC ONE-TOUCH CONNECTOR (4~39PIN)	瀚荃股份有限公司 CviLux Corporation
3					8/26-14"	TOLERANCE UNLESS OTHERWISE SPECIFIED		
2	Claire	9/18-13'	ECRT213002/ECNT213006 ECR13011-5/ECN13025-5 ECR13024-5/ECN13032-5	ENGINEER:	Claire	8/26-14"	FINISH:	DRAWING NO. CF2901SD
1	Claire	12/22-12'	ECR12085-5/ECN12076-5	CHECKED BY:	Jerry	8/26-14"		SCALE 10 / 1
SYM	NAME	DATE	REVISIONS	APPROVED BY:	Scott	8/26-14"		SHEET 3 OF 3