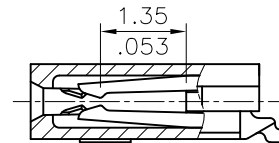
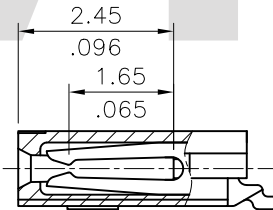
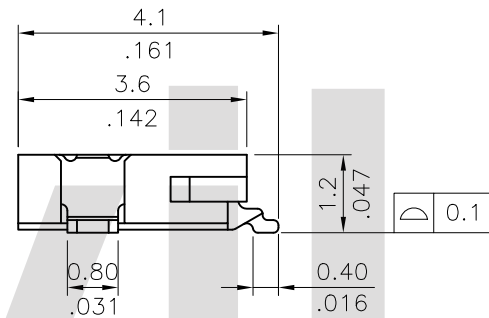
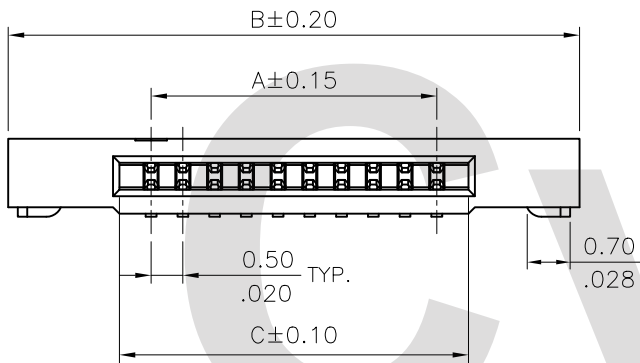


Material :

\* Body : LCP With 30% G.F UL 94V-0  
Color Nature

\* Contact : Copper alloy

\* Fixed tab : Copper alloy With Matte Tin plated



### Ordering Code

CF27 \*\* 1 H 0 \* A -NH  
① ② ③ ④ ⑤ ⑥ ⑦ ⑧

① Series No.

② No. of Circuits

③ Plating code:

1= 3.05 $\mu$ m(120 $\mu$ "") Min. Matte Tin  
over 0.76 $\mu$ m(30 $\mu$ "") Nickel

2= Gold flash plated over 50 $\mu$ "min. Nickel

④ Contact style: H= Side Entry

⑤ Color: 0= Nature

⑥ Packing option: R= Tape & Reel  
T= Tube Packing

⑦ Option: A= Base of Wide Size

⑧ Process:

-NH= For Lead Free soldering process  
and Halogen-Free

Dim.A = 0.50 x No. of Spaces

Dim.B = DIM.A + 4.5

Dim.C = DIM.A + 1.0

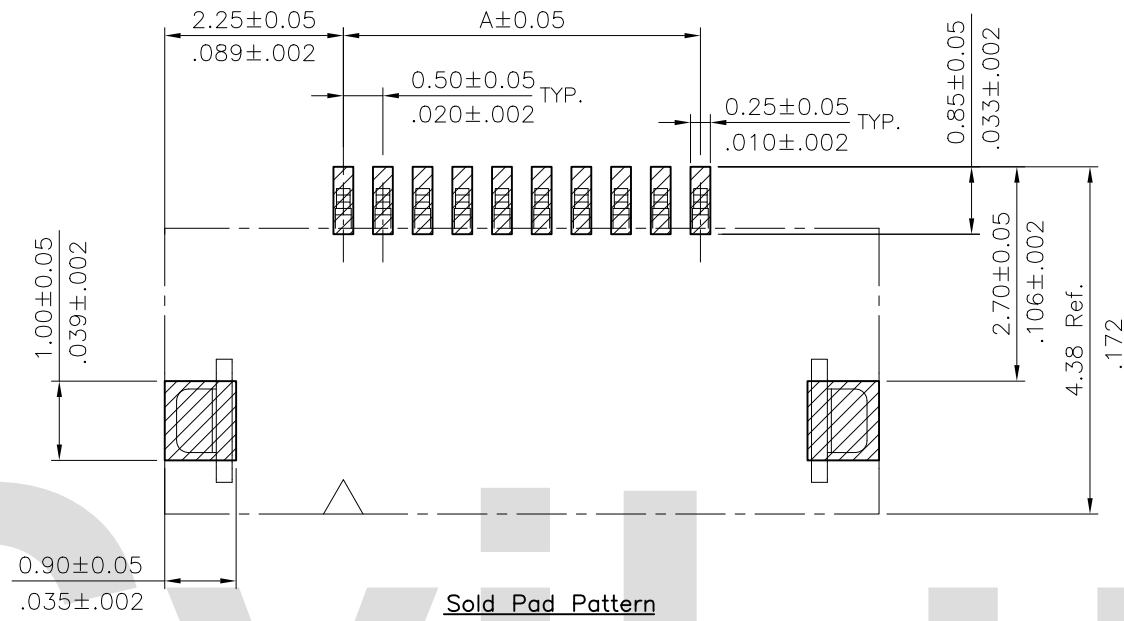
Available in 4 ~ 20 Circuits

Halogen-Free

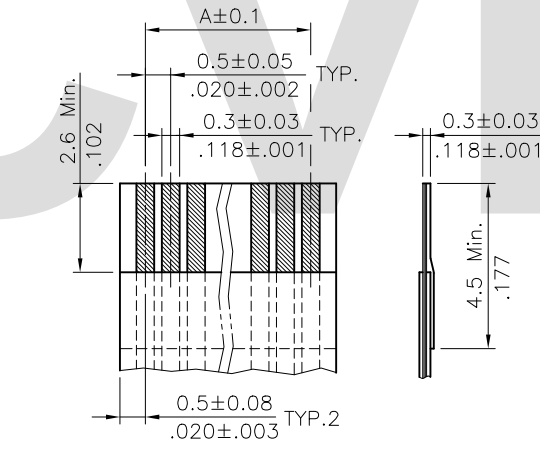
Lead Free Process

RoHS Compliant

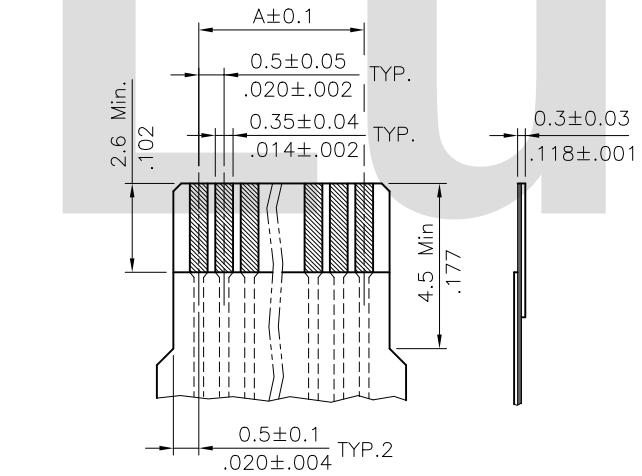
④						DATE	UNIT: mm / inch	TITLE: 0.50mm(.031") LIF FFC/FPC CONNECTOR	 瀚荃股份有限公司 CviLux Corporation
③					DRAWN BY: Enya	1/06-14'	TOLERANCE UNLESS OTHERWISE SPECIFIED		
②					ENGINEER: Sun	1/07-14'	.X ± 0.15/006 X' ± 1'	FINISH:	
①	Enya	1/6-14'	ECNT114004		CHECKED BY: Eisley	1/08-14'	.XX ± 0.10/004 X' ±		
SYM	NAME	DATE	REVISIONS	APPROVED BY: Eisley	1/08-14'	.XXX ± 0.05/002 XX' ±		DRAWING NO. CF2702SB	PART NO. CF27**1H0*A-NH
								SCALE 8 / 1	SHEET 1 OF 3



Sold Pad Pattern



Accommodated FFC



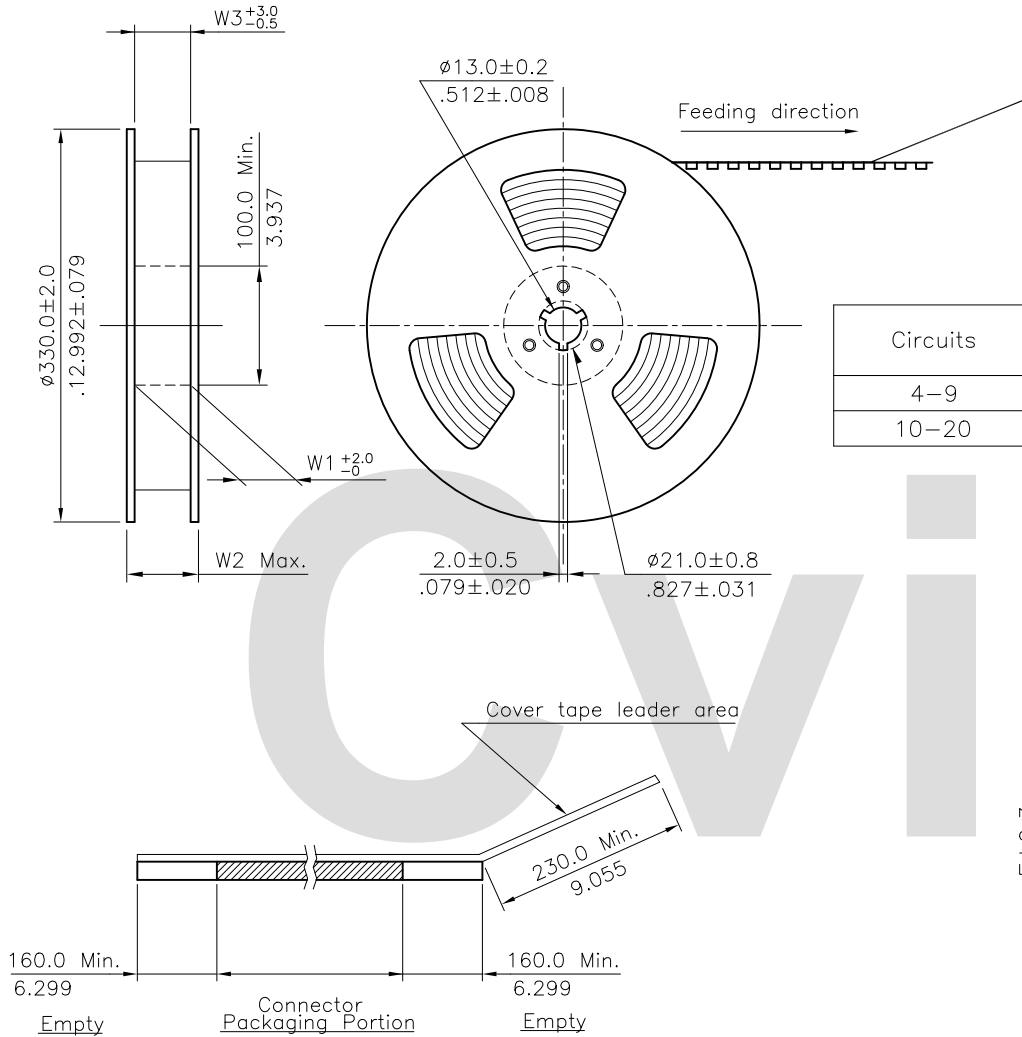
Accommodated FPC

RoHS Compliant

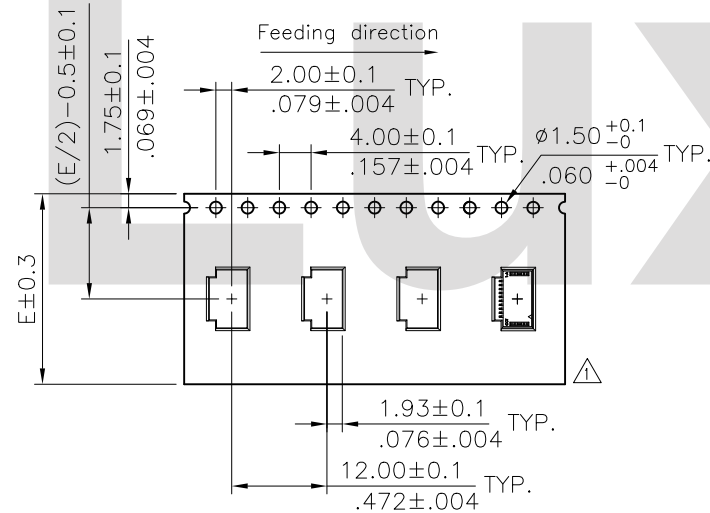
4						DATE	UNIT: mm / inch	TITLE: 0.50mm(.031") LIF FFC/FPC CONNECTOR	 瀚荃股份有限公司 CviLux Corporation	
3			DRAWN BY: Enya		1/06-14'	TOLERANCE UNLESS OTHERWISE SPECIFIED		MATERIAL:		DRAWING NO. CF2702SB
2			ENGINEER: Sun		1/07-14'	.X ± 0.15/.006	X' ± 1'	FINISH:		PART NO. CF27**1H0*A-NH
1	Enya	1/6-14'	ECNT114004		CHECKED BY: Eisley	1/08-14'	.XX ± 0.10/.004	.X' ±	SCALE 8 / 1	SHEET 2 OF 3
SYM	NAME	DATE	REVISIONS	APPROVED BY: Eisley	1/08-14'	.XXX ± 0.05/.002	.XX' ±			

NOTES:

- 10 sprocket hole pitch cumulative tolerance  $\pm 0.20$ .
- Carrier camber is within 1 mm in 250 mm.
- Material : Transparent Polystyrene Alloy.
- All dimensions meet EIA-481-C requirements.
- Thickness :  $0.30 \pm 0.05$  mm.
- Packing length per 22" reel : 121.5 Meters.
- Component load per 13" reel : 3300 pcs.




Circuits	Dimension					Packing (Reel/Caton)
	E	F	W1	W2	W3	
4-9	16.0(.630)	-	16.5(.650)	22.5(.886)	16.5(.650)	11
10-20	24.0(.945)	-	24.5(.965)	30.5(1.201)	24.5(.965)	9



WIDTH : 16.24 mm Carrier

RoHS Compliant

4					DATE	UNIT: mm / inch	TITLE: 0.50mm(.031") LIF FFC/FPC CONNECTOR	 瀚荃股份有限公司 CviLux Corporation	
3					DRAWN BY: Enya	TOLERANCE UNLESS OTHERWISE SPECIFIED	MATERIAL:		
2					ENGINEER: Sun	.X ±	FINISH:		
1	Enya	1/6-14'	ECNT114004	CHECKED BY: Eisley	1/08-14'	.XX ±			
SYM	NAME	DATE	REVISIONS	APPROVED BY: Eisley	1/08-14'	.XXX ±			
								DRAWING NO. CF2702SB	PART NO. CF27**1H0*A-NH
								SCALE	SHEET 3 OF 3

CIVILUX CORP  
 2014.01.09  
 ISSUED